

## Technical data sheet

Ethernet · unmanaged switch 4 ports, 10/100 MBit/s

---

**QoS - Quality of Service, PROFINET Conformance Class A**  
**4 Fast Ethernet ports RJ-45, usable in the LCOS system**  
**AC/DC 24 V, compact design, extended temperature range**



---

### Identification

Type	LCOS-SW-4P
Part No.	<a href="#">779201.0401</a>

---

### Product version

Datasheet version	03
-------------------	----

---

### Communication

Standard	IEEE 802.3, 802.3u, 802.3x
LAN	10 / 100 Base-TX
Cable length (segment)	Max. 100 m
Transfer rate	max. 100 Mbit/s
Connection technology (data)	4 × RJ45
Status display communication	Link activity

---

### Safety

Reverse voltage protection	Yes
Isolating voltage Ethernet/supply/FE	1000 V

---

### General

Rated voltage $U_N$	AC/DC 24 V (SELV, PELV)
Rated frequency $f_N$	50/60 Hz with AC supply
External protection	3 A
Operation voltage range	AC 19.2–28.8 V / DC 18–31.2 V
Connection technology (supply)	3-pin terminal clamp, push-in, RM 5.08 or via LCOS-FT Powerbus

---

#### United Kingdom: LÜTZE Ltd.

Unit 3, Sandy Hill Park  
Sandy Way, Amington • GB-Tamworth, Staffs B77 4DU  
Tel. +44 (0)1827 31333-0 • Fax +44 (0)1827 31333-2  
[www.lutze.com](http://www.lutze.com) • [sales.gb@lutze.co.uk](mailto:sales.gb@lutze.co.uk)

#### Germany: Friedrich Lütze GmbH

Postfach 12 24 (PLZ 71366) • Bruckwiesenstraße 17-19 • D-71384 Weinstadt  
Tel. +49 (0)7151 6053-0 • Fax +49 (0)7151 6053-277(-288)  
[www.luetze.de](http://www.luetze.de) • [info@luetze.de](mailto:info@luetze.de)

## Technical data sheet

### Ethernet · unmanaged switch 4 ports, 10/100 MBit/s

---

Power consumption	1,3 W
Degree of protection	IP20 (EN 60529)
Max. altitude operation	2000 m
Relative humidity (operation)	5 % – 95 % (non-condensing)
Relative humidity (storage)	0 % – 95 % (non-condensing)
Housing material	PA 6.6 (UL 94 V-0, NFF I2, F2)
Mounting	DIN rail mounting EN 60715
Installation position	Vertical
MTBF	>3000000 h: EN/IEC 61709 (SN 29500) @ 45 °C / 8760 h per year
Dimensions (w × h × d)	22.5 mm × 110.0 mm × 102.0 mm
Weight/unit	0.11 kg
PU (units)	1

---

#### General ambient conditions

---

Operation temperature range	-25 °C ... +70 °C
Storage temperature range	-40 °C ... +85 °C
Over voltage category	II
Degree of pollution	2
Relative air humidity	10 % – 95 %, without condensation
Vibration resistance	4 g acc. to EN 60068-2-6
Shock resistance	5 g acc. EN 60068-2-27

---

#### Certifications/Standards

---

Conformity	CE UKCA
Certifications	cULus (E170585)
Standards	EN 61131-2 EN 61000-6-2 EN 61000-6-4 UL 61010-1 UL 61010-2-201

---

#### Equipment/Spare parts

---

<b>Accessories</b>	<b>Function carrier 22.5 mm, cannot be expanded with modules:</b> Part.-No. 780201.225.1   LCOS-FT-PE-225-00-00-1   PU: 1 unit <b>Function carrier 22.5 mm, can be expanded with modules:</b> Part.-No. 780402.225.1   LCOS-FT-PE-225-0P-02-1   PU: 1 unit <b>Function carrier 57.5 mm, with power supply DC 24 V, no FBS, plug-and-play:</b> Part.-No. 780700.575.1   LCOS-FTE-PE-575-NC-00-1   PU: 1 unit <b>Side cover plate for function carrier:</b> Part.-No. 780600.000.4   LCOS-ZB-AD-00-1   PU: 100 units <b>Power bridge 1-pin insulated:</b> Part.-No. 780961.001.2   LCOS-ZB-PB-01-00   PU: 10 units
--------------------	--

---

#### Notes and Comments

---

Included in the delivery	Function carrier 22.5 mm, cannot be expanded with modules Plug-in terminal block, RM 5.08, 3-pin, 2.5 mm <sup>2</sup>
--------------------------	--

---

# Technical data sheet

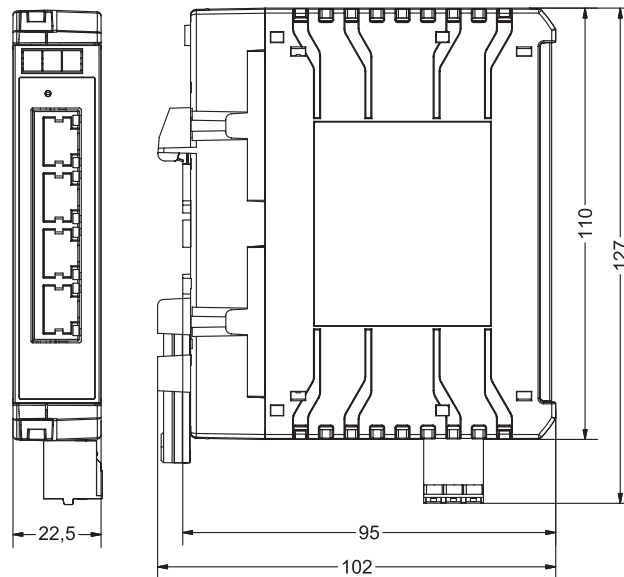
## Ethernet · unmanaged switch 4 ports, 10/100 MBit/s

Not included in the delivery  
Note

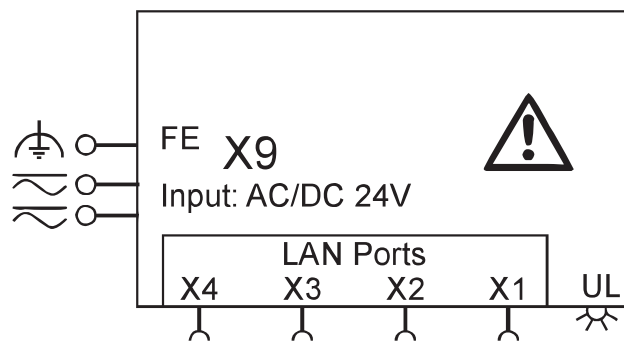
other accessories, see „accessories“

For AC supply, there must be external over-voltage protection that limits the voltage between the supply and the FE to below 1000 V.

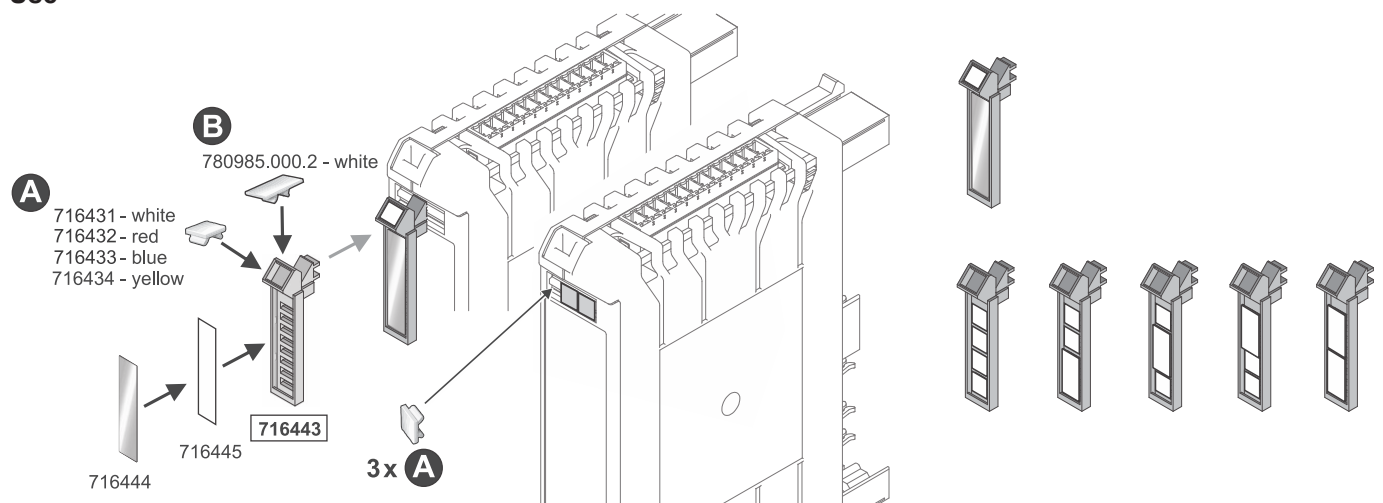
### Dimensions



### PIN assignment



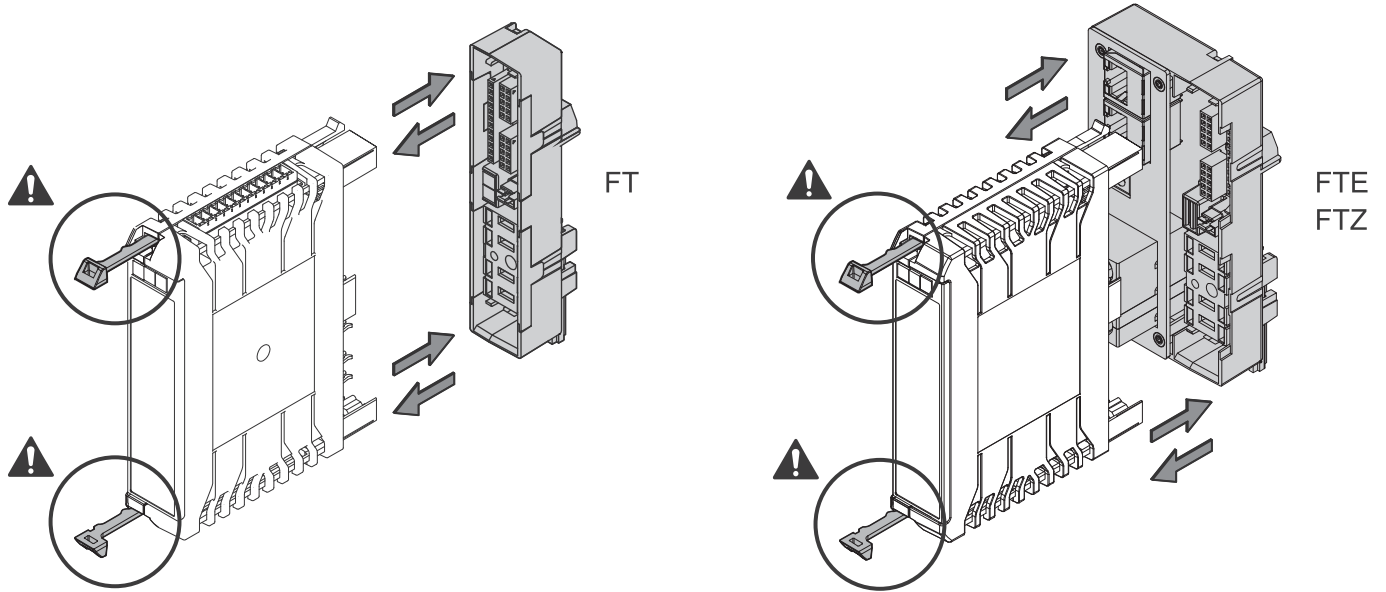
### Use



# Technical data sheet

Ethernet · unmanaged switch 4 ports, 10/100 MBit/s

## Use



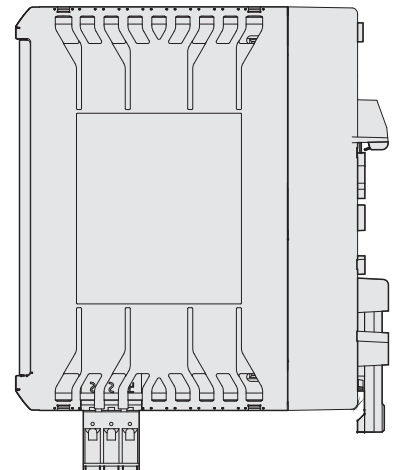
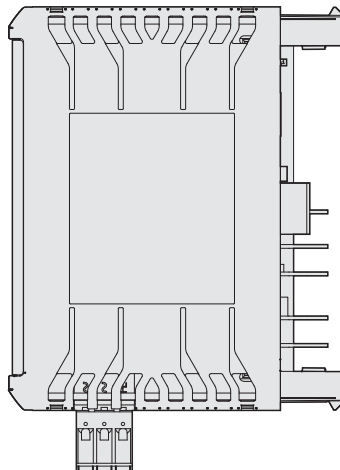
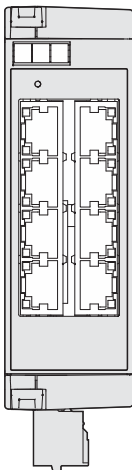
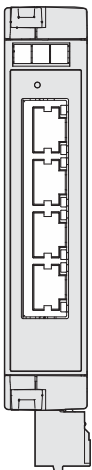
## Use

LCOS-SW-4P

LCOS-SW-8P

779200.0401  
779200.0801

779201.0401  
779201.0801



# Technical data sheet

Ethernet · unmanaged switch 4 ports, 10/100 MBit/s

## Use

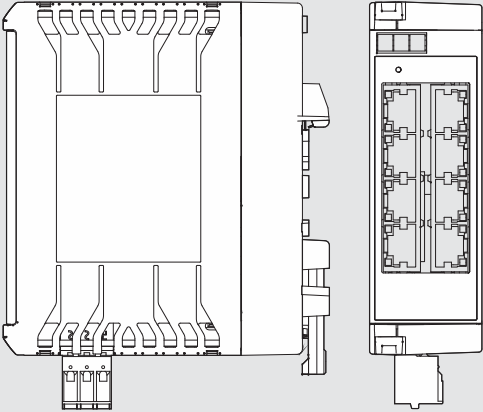
**DE** **Standalone** Beispiel

**EN** **Standalone** Example

**FR** **Autonome** Exemple

779201.0401 (LCOS-SW-4P, Standalone)  
779201.0801 (LCOS-SW-8P, Standalone)

LCOS-SW-8P  
8-port



**DE** **System mit Powerbus** Beispiel

**EN** **System with Powerbus** Example

**FR** **Système avec Powerbus** Exemple

LCOS-SW-4P  
4-port

779200.0401 (LCOS-SW-4P, LCOS system)  
779200.0801 (LCOS-SW-8P, LCOS system)

