

## Technical data sheet

Power supply · LCOS-PS, 120 Watt

---

**Primary switchmode power supply, PFC, Single-phase**

**Input: Wide range input AC 100 V – 240 V**

**Output: 24 V, adjustable**



---

### Identification

|          |                             |
|----------|-----------------------------|
| Type     | LCOS-PS-1-120-24            |
| Part No. | <a href="#">779101.0413</a> |

---

### Product version

|                   |     |
|-------------------|-----|
| Hardware revision | 1.1 |
| Software version  | 1.0 |
| Datasheet version | 04  |

---

### Input

|                                |   |
|--------------------------------|---|
| Number of phases               | 1   |
| Rated voltage $U_N$            | AC 100–240 V  |
| Rated frequency $f_N$          | 50 Hz / 60 Hz   |
| Rated current $I_N$            | 0.70 A @ AC 230 V   |
| Inrush current                 | <20 A @ AC 230 V  |
| Internal fuse                  | 4 A Typ-T AC 250 V  |
| External protection            | 6 A Typ-B (IEC 60947-2)<br>The external fuse must be installed close to the LCOS-PS and must be easily accessible for the user. |
| Power factor correction P.F.C. | >0.96   |

---

### Output

|                        |                                |
|------------------------|--------------------------------|
| Output voltage/current | DC 24 V/5 A                    |
| Rated voltage $U_N$    | 24 V (SELV)                    |
| Rated current $I_N$    | 5 A                            |
| Max. output current    | >7.5 A, 5 s @ $U_{out} > 90\%$ |

---

#### United Kingdom: LÜTZE Ltd.

Unit 3, Sandy Hill Park  
Sandy Way, Amington • GB-Tamworth, Staffs B77 4DU  
Tel. +44 (0)1827 31333-0 • Fax +44 (0)1827 31333-2  
[www.lutze.com](http://www.lutze.com) • [sales.gb@lutze.co.uk](mailto:sales.gb@lutze.co.uk)

#### Germany: Friedrich Lütze GmbH

Postfach 12 24 (PLZ 71366) • Bruckwiesenstraße 17-19 • D-71384 Weinstadt  
Tel. +49 (0)7151 6053-0 • Fax +49 (0)7151 6053-277(-288)  
[www.luetze.de](http://www.luetze.de) • [info@luetze.de](mailto:info@luetze.de)

## Technical data sheet

### Power supply · LCOS-PS, 120 Watt

---

|   |  |
|---|--|
| Setting range $U_{out\ min.}/U_{out\ max.}$ | DC 23–27.5 V                                     |
| Load regulation                             | downslope -2 % @ 5 A                             |
| Line regulation                             | 0.5 %  |
| Rise time                                   | < 1 s  |
| Ripple and noise                            | ≤100 mV pp                                       |
| Hold up time                                | >20 ms   |
| Parallel / redundant mode                   | Max. 4 devices / redundancy via decoupling diode |
| Efficiency                                  | >93 %  |
| Protection device                           | Over voltage protection                          |
| Over voltage protection                     | 35 V   |
| Power Dissipation (nominal operations) max. | 9 W @ 230 V                                      |
| Rated over load protection                  | Yes  |
| Short circuit                               | Current limit (overload), Hiccup (short-circuit) |

---

#### Status indication

---

|                                   |  |
|-----------------------------------|--|
| Status display output             | DC ON, green $\geq 21.6\ V$<br>$I_{out} > 110\ \% I_N$ |
| Status indication DC ON LED green | $\geq 21.6\ V$   |
| Status indication DC LOW LED red  | $I_{out} > 110\ \% I_N$                                |

---

#### Monitoring

---

|                     |                       |
|---------------------|-----------------------|
| DC ON Control (Rdy) | Open Collector        |
| Monitoring          | DC ON, open collector |
| Switching voltage   | DC 30 V               |
| Switching current   | Max. 0.100 A          |

---

#### Remote input

---

|                 |                              |
|-----------------|------------------------------|
| control voltage | DC 24 V                      |
| Control current | DC 5 mA                      |
| ON/OFF          | 11 V – 30 V: OFF, DC 5 V: ON |

---

#### General

---

|                                    |   |
|------------------------------------|---|
| Insulation voltage input / output  | AC 3.0 kV <sub>eff</sub>                      |
| Insulation voltage input / ground  | AC 1.5 kV <sub>eff</sub>                      |
| Insulation voltage output / ground | DC 0.5 kV <sub>eff</sub>                      |
| Derating                           | >50 °C: -4 W/°C                               |
| Cooling                            | Air convection                                |
| Housing material                   | PA 6.6 (UL 94 V-0, NFF I2, F2)                |
| Color of the housing               | pebble grey                                   |
| Mounting                           | DIN rail mountable TS35<br>(EN 60715)         |
| Max. altitude operation            | 2000 m max.                                   |
| Installation position              | Vertical                                      |
| MTBF                               | >500000 h: SN29500 / >150000 h: MIL-HDBK-217F |

---

## Technical data sheet

### Power supply · LCOS-PS, 120 Watt

---

|                        |  |
|------------------------|--|
| Degree of protection   | IP20 (EN 60529)  |
| Weight/unit            | 0.35 kg  |
| Connection type        | Push-In<br>0.08 mm <sup>2</sup> – 2.5 mm <sup>2</sup><br>AWG 28 – AWG 12<br>input: 3-pin<br>output: 8-pole |
| Dimensions (w × h × d) | 35.0 mm × 100.0 mm × 110.0 mm  |
| PU (units)             | 1  |

---

#### General ambient conditions

---

|                             |  |
|-----------------------------|--|
| Operation temperature range | -25 °C ... +70 °C (for UL applications: ambient temperature max. +55 °C) |
| Storage temperature range   | -25 °C ... +85 °C  |
| Over voltage category       | II (IEC 664-1)   |
| Degree of pollution         | 2  |
| Relative air humidity       | 10 % – 95 %, without condensation  |

---

#### Certifications/Standards

---

|            |                          |
|------------|--------------------------|
| Conformity | CE<br>UKCA               |
| Standards  | EN 61204-3<br>EN 60950-1 |

---

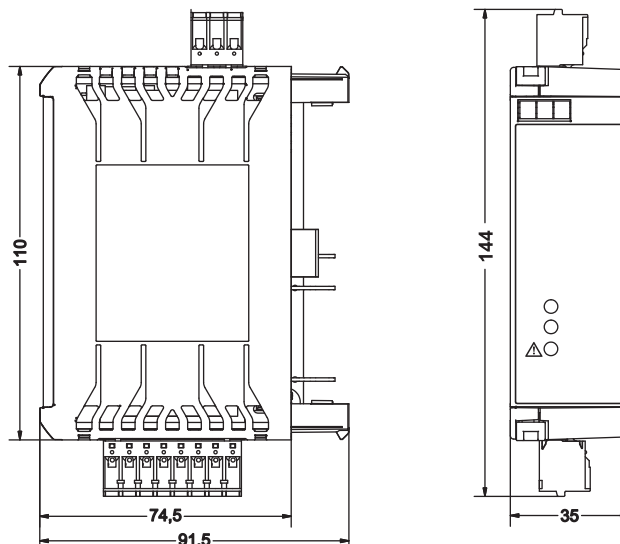
#### Notes and Comments

---

|                              |   |
|------------------------------|---|
| Included in the delivery     | Plug-in terminals : CS 5.08 and CS 3.50 |
| Not included in the delivery | Function carrier and other accessories  |

---

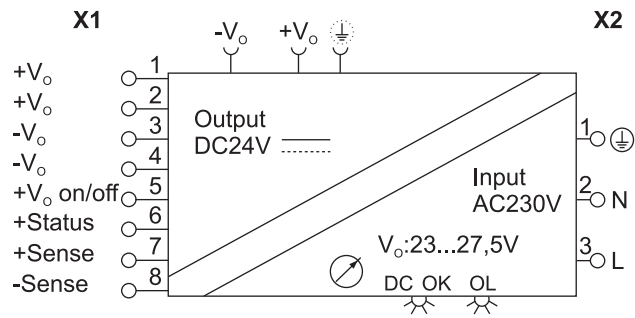
#### Dimensions



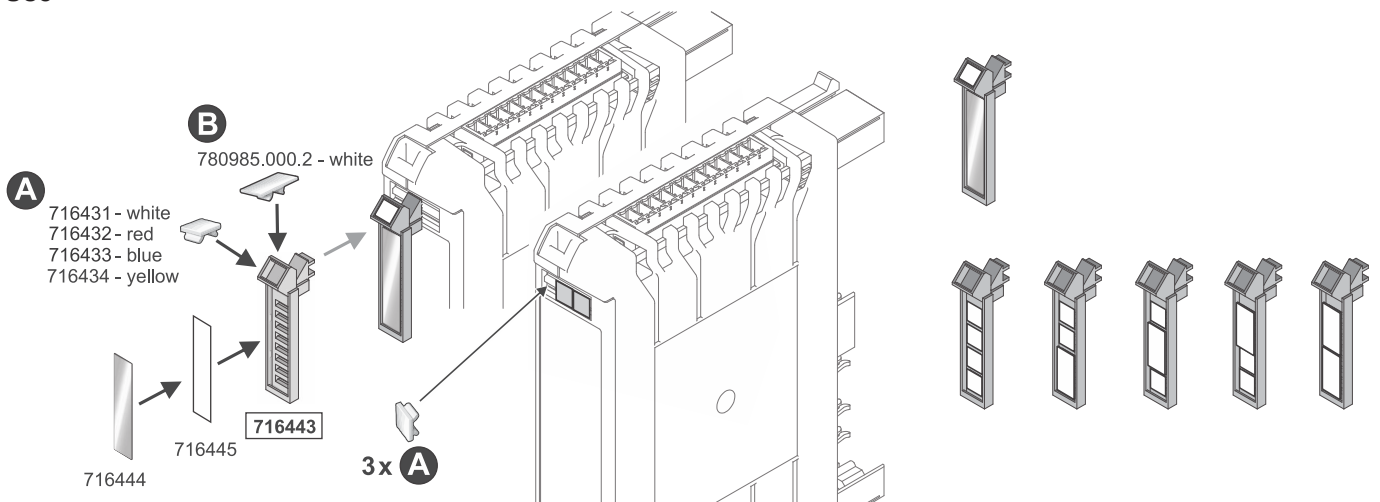
# Technical data sheet

Power supply · LCOS-PS, 120 Watt

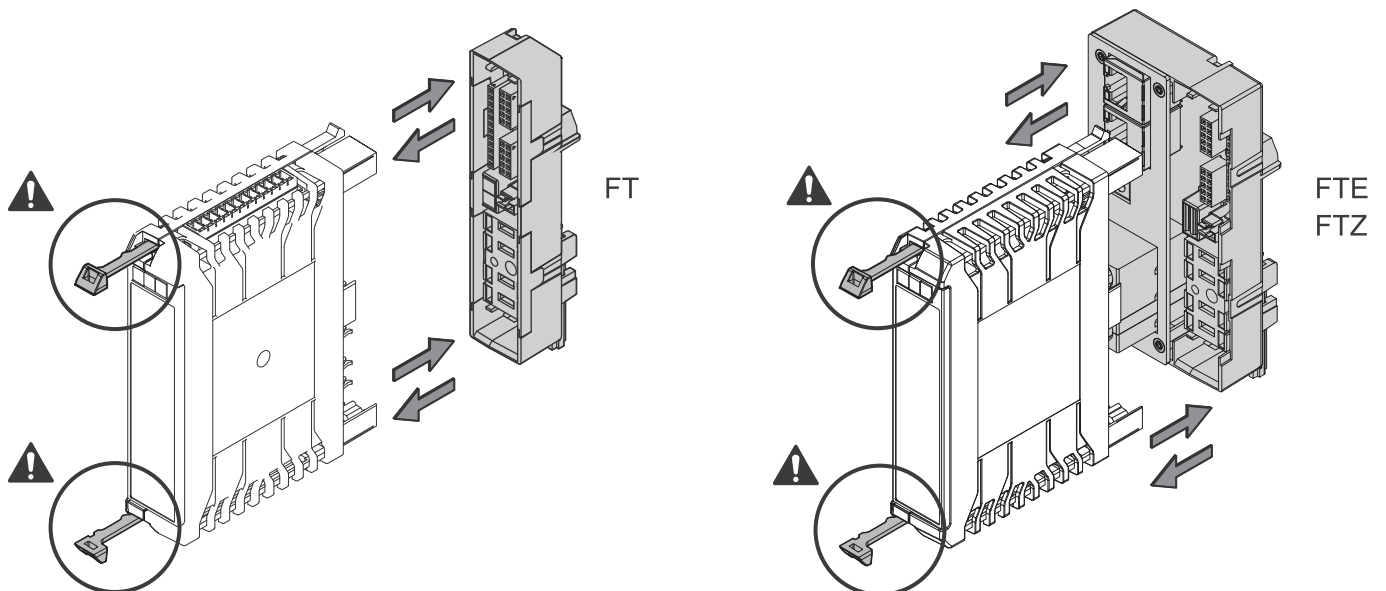
## PIN assignment



## Use



## Use



# Technical data sheet

Power supply · LCOS-PS, 120 Watt

## Use

**DE** Systemaufbau **EN** System Structure **FR** Structure du système

