

Technical data sheet

Power supply · LCOS-PS, 60 Watt

Primary switchmode power supply, PFC, Single-phase

Input: Wide range input AC 100 V – 240 V

Output: 24 V, adjustable



Identification

Type	LCOS-PS-1-60-24
Part No.	779101.0313

Product version

Hardware revision	1.1
Datasheet version	04

Input

Number of phases	1
Rated voltage U_N	AC 100–240 V
Rated frequency f_N	50 Hz / 60 Hz
Rated current I_N	0.60 A @ AC 230 V
Inrush current	<10 A @ AC 230 V
Internal fuse	4 A Typ-T AC 250 V
External protection	6 A Typ-B (IEC 60947-2) The external fuse must be installed close to the LCOS-PS and must be easily accessible for the user.
Power factor correction P.F.C.	0.6

Output

Output voltage/current	DC 24 V/2.5 A
Rated voltage U_N	24 V (SELV)
Rated current I_N	2.5 A
Max. output current	2.8 A
Setting range $U_{out\ min.}/U_{out\ max.}$	DC 23–27.5 V

United Kingdom: LÜTZE Ltd.

Unit 3, Sandy Hill Park
Sandy Way, Amington • GB-Tamworth, Staffs B77 4DU
Tel. +44 (0)1827 31333-0 • Fax +44 (0)1827 31333-2
www.lutze.com • sales.gb@lutze.co.uk

Germany: Friedrich Lütze GmbH

Postfach 12 24 (PLZ 71366) • Bruckwiesenstraße 17-19 • D-71384 Weinstadt
Tel. +49 (0)7151 6053-0 • Fax +49 (0)7151 6053-277(-288)
www.luetze.de • info@luetze.de

Technical data sheet

Power supply · LCOS-PS, 60 Watt

Load regulation	<0.5 %
Line regulation	<0.5 %
Ripple and noise	≤100 mV pp
Hold up time	>20 ms
Parallel / redundant mode	Max. 2 devices
Efficiency	90 %
Protection device	Over voltage protection
Over voltage protection	<32 V
Short circuit	Hiccup

Status indication

Status display output	DC ON, green ≥21.6 V
-----------------------	----------------------

Monitoring

Monitoring	DC ON, open collector
Switching voltage	DC 30 V
Switching current	Max. 0.100 A

General

Insulation voltage input / output	AC 2.5 kV _{eff}
Insulation voltage input / ground	AC 1.5 kV _{eff}
Insulation voltage output / ground	DC 0.5 kV _{eff}
Derating	>50 °C: -2 W/°C
Cooling	Air convection
Housing material	PA 6.6 (UL 94 V-0, NFF I2, F2)
Color of the housing	pebble grey
Mounting	DIN rail mountable TS35 (EN 60715)
Max. altitude operation	2000 m max.
Installation position	Vertical
MTBF	>500000 h: SN29500 / >150000 h: MIL-HDBK-217F
Degree of protection	IP20 (EN 60529)
Weight/unit	0.25 kg
Connection type	Push-In 0.08 mm ² – 2.5 mm ² AWG 28 – AWG 12 input: 3-pin output: 8-pole
Dimensions (w × h × d)	35.0 mm × 100.0 mm × 110.0 mm
PU (units)	1

General ambient conditions

Operation temperature range	-25 °C ... +70 °C
Storage temperature range	-25 °C ... +85 °C
Over voltage category	II (IEC 664-1)

Technical data sheet

Power supply · LCOS-PS, 60 Watt

Degree of pollution	2
Relative air humidity	10 % – 95 %, without condensation

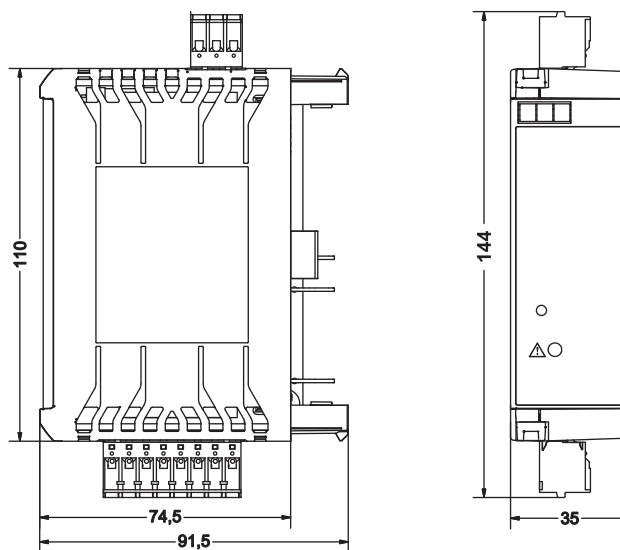
Certifications/Standards

Conformity	CE UKCA
Standards	EN 61204-3 EN 60950-1

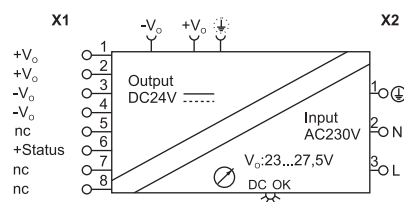
Notes and Comments

Included in the delivery	Plug-in terminals : CS 5.08 and CS 3.50
Not included in the delivery	Function carrier and other accessories

Dimensions



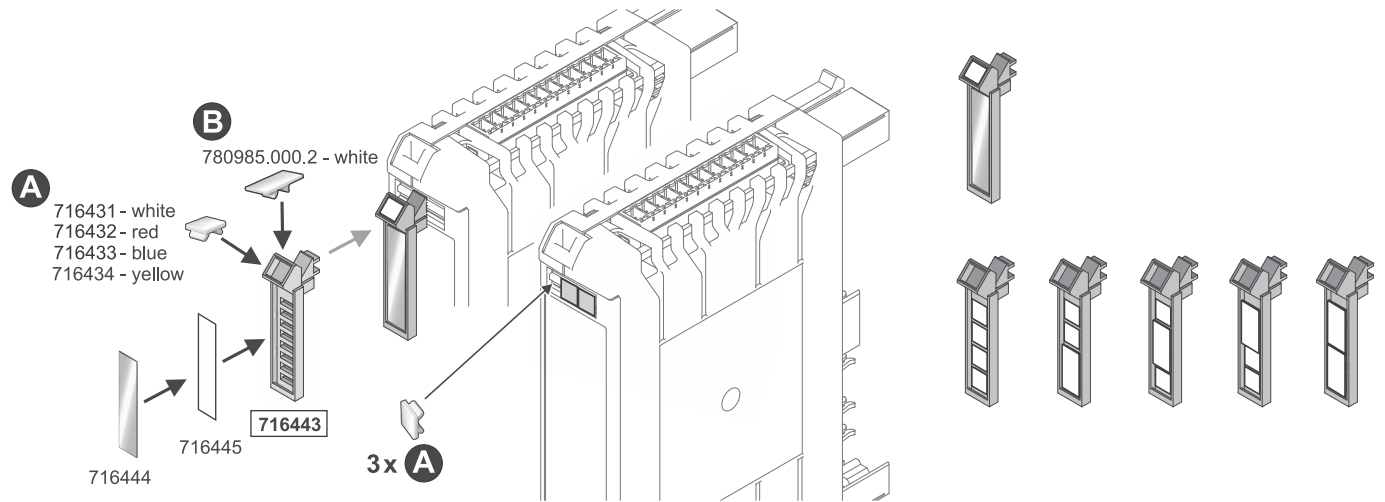
PIN assignment



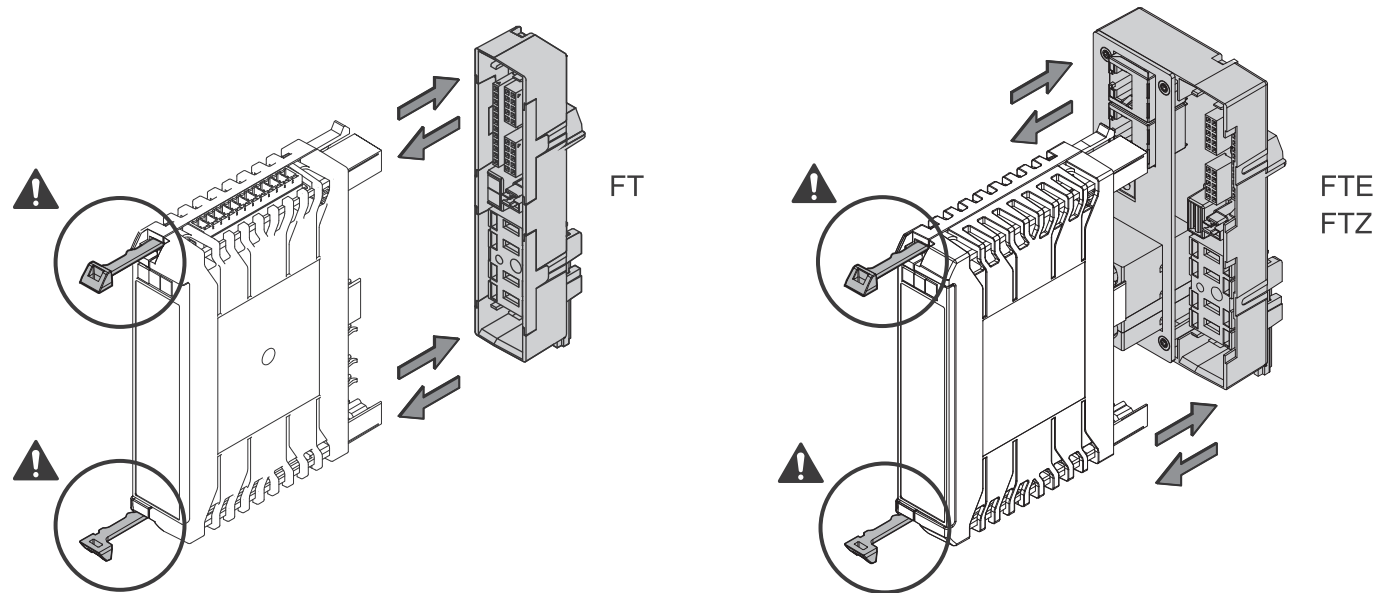
Technical data sheet

Power supply · LCOS-PS, 60 Watt

Use



Use



Technical data sheet

Power supply · LCOS-PS, 60 Watt

Use

DE Systemaufbau **EN** System Structure **FR** Structure du système

