



| | | |
|--------------------------|----------|---|
| Identification | Type | REI2-0540 2W DC12V |
| | Part-No. | 770540 |
| Input | | |
| Input voltage range | | 9.6 V – 13.2 V |
| Nominal voltage | | DC 12 V |
| Rated current | | 75.0 mA |
| Interrupting voltage | | <1.2 V |
| Protection device | | Free-wheeling diode |
| Status Indication | | LED green |
| Power consumption | | 0.9 W |
| Load Side | | |
| Contact type | | 2 change over contact |
| Min. switching voltage | | AC/DC 5 V |
| Max. switching voltage | | AC/DC 250 V |
| Min. switching current | | AgNi: AC/DC 5 mA |
| Max. switching current | | AC/DC 7 A |
| Switching capacity AC 15 | | at 24 V: 2.5 A; at 230 V: 1.5 A |
| Switching capacity DC 13 | | at 24 V: 1.8A, at 115 V: 300 mA, at 230 V: 150 mA |
| Max. switching capacity | | 3000 VA |
| Contact material | | AgNi |
| Mechanical service life | | >2 x 10 ⁷ operations |

03.04.2016 – Subject to technical modification

Part-No. 770540

USA: LUTZE INC.

13330 South Ridge Drive • Charlotte, NC 28273, USA
 Tel. +1 (704) 504-0222 • Fax +1 (704) 504-0223
 www.lutze.com • info@lutze.com

United Kingdom: LUTZE Ltd.

Unit 3, Sandy Hill Park
 Sandy Way, Amington • GB-Tamworth, Staffs B77 4DU
 Tel. +44 (0)1827 31333-0 • Fax +44 (0)1827 31333-2
 www.lutze.com • sales.gb@lutze.co.uk



SYSTEMATIC TECHNOLOGY

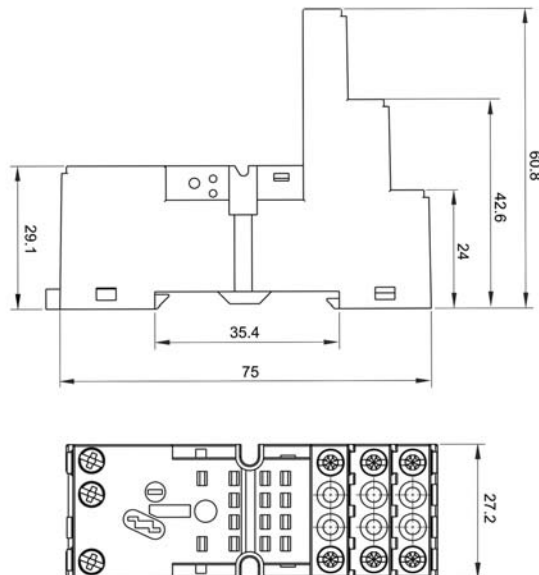
Technical data sheet • Interface Technology

| | |
|---|--|
| Switch-on delay | 25 ms |
| Switch-off delay | 25 ms |
| Clearance/creep. dist. (control/load side) | Clearance distance: > 2 mm; creepage distance: > 3mm |

General

| | |
|---------------------------------|---|
| Housing material | PA 66+GF V0 (UL) |
| Protection class | IP 20 |
| Field installation | rail TS 35 (EN 50022) |
| Insulation voltage input/output | 1.5 kV _{eff} |
| Safe isolation | yes |
| Operation temperature range | -40 °C – 70 °C |
| Storage temperature range | -40 °C – 85 °C |
| Dimensions (w x h x d) | 27.2 x 75.0 x 82.0 mm |
| Weight (kg/piece) | 0.097 |
| Approvals | cULus |
| Termination | Screw terminal: 0.2–4.0 mm ² |

Dimensions



03.04.2016 – Subject to technical modification

Part-No. 770540

USA: LUTZE INC.

13330 South Ridge Drive • Charlotte, NC 28273, USA
Tel. +1 (704) 504-0222 • Fax +1 (704) 504-0223
www.lutze.com • info@lutze.com

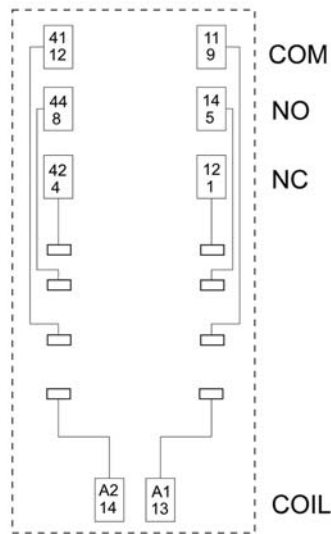
United Kingdom: LUTZE Ltd.

Unit 3, Sandy Hill Park
Sandy Way, Amington • GB-Tamworth, Staffs B77 4DU
Tel. +44 (0)1827 31333-0 • Fax +44 (0)1827 31333-2
www.lutze.com • sales.gb@lutze.co.uk



SYSTEMATIC TECHNOLOGY

PIN assignment



03.04.2016 – Subject to technical modification

Part-No. 770540

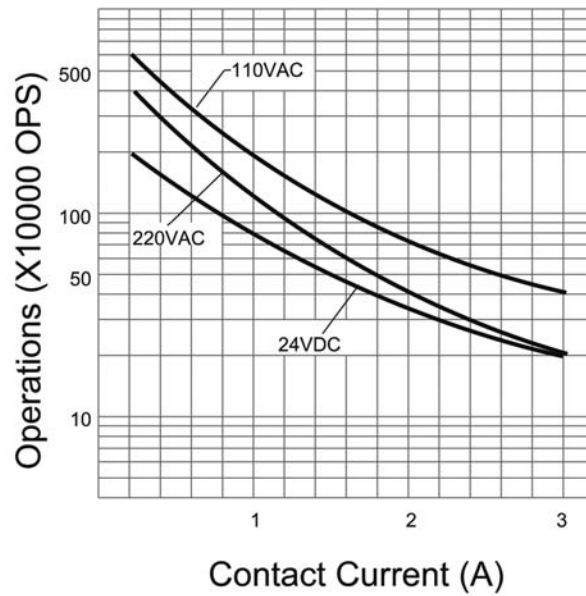
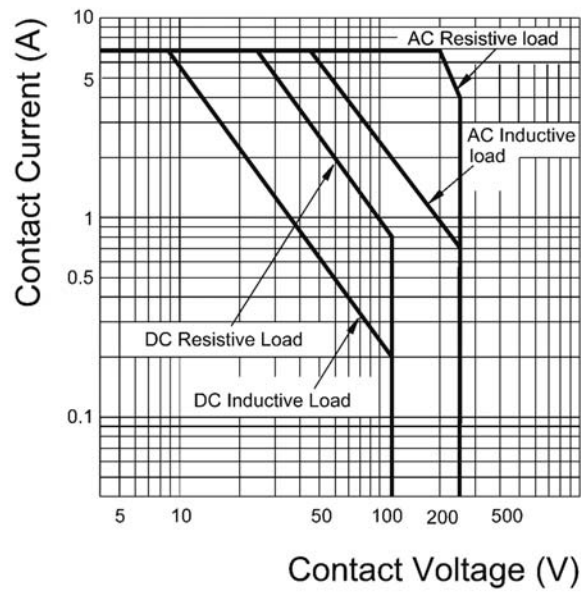
USA: LUTZE INC.

13330 South Ridge Drive • Charlotte, NC 28273, USA
Tel. +1 (704) 504-0222 • Fax +1 (704) 504-0223
www.lutze.com • info@lutze.com

United Kingdom: LUTZE Ltd.

Unit 3, Sandy Hill Park
Sandy Way, Amington • GB-Tamworth, Staffs B77 4DU
Tel. +44 (0)1827 31333-0 • Fax +44 (0)1827 31333-2
www.lutze.com • sales.gb@lutze.co.uk

Limit curve



Accessories

03.04.2016 – Subject to technical modification

Part-No. 770540

USA: LUTZE INC.

13330 South Ridge Drive • Charlotte, NC 28273, USA
 Tel. +1 (704) 504-0222 • Fax +1 (704) 504-0223
 www.lutze.com • info@lutze.com

United Kingdom: LUTZE Ltd.

Unit 3, Sandy Hill Park
 Sandy Way, Amington • GB-Tamworth, Staffs B77 4DU
 Tel. +44 (0)1827 31333-0 • Fax +44 (0)1827 31333-2
 www.lutze.com • sales.gb@lutze.co.uk



SYSTEMATIC TECHNOLOGY

Technical data sheet • Interface Technology

| Accessories | Color | Article number | Type | PU |
|----------------------------|-------|----------------|----------------------|----|
| Relay socket | | 770903 | RES2W-0903 | 10 |
| Backup relay DC 12V | | 770500 | RE2W-0500 DC12 | 10 |
| Backup relay DC 12V HV | | 770520 | RE2WHV-0520 DC12 | 10 |
| Backup relay DC 24V | | 770501 | RE2W-0501 DC24 | 10 |
| Backup relay DC 24V HV | | 770521 | RE2WHV-0521 DC24 | 10 |
| Backup relay DC 110V | | 770506 | RE2W-0506 DC120 | 10 |
| Backup relay DC 110V HV | | 770526 | RE2WHV-0526 DC120 | 10 |
| Protecting module AC 6-24V | | 770911 | PM41G-0911 | 10 |
| Protecting module DC 110V | | 770916 | PM43G-0916 | 10 |
| Plate | | 770907 | REM WT-0907 | 10 |
| Jumper comb 10A | black | 770909 | REI-0909 | 10 |

03.04.2016 – Subject to technical modification

Part-No. 770540

USA: LUTZE INC.

13330 South Ridge Drive • Charlotte, NC 28273, USA
Tel. +1 (704) 504-0222 • Fax +1 (704) 504-0223
www.lutze.com • info@lutze.com

United Kingdom: LUTZE Ltd.

Unit 3, Sandy Hill Park
Sandy Way, Amington • GB-Tamworth, Staffs B77 4DU
Tel. +44 (0)1827 31333-0 • Fax +44 (0)1827 31333-2
www.lutze.com • sales.gb@lutze.co.uk