

## Technical data sheet

Power supply · Compact DC UPS, 480 W

---

### Uninterrupted DC system voltage

DC UPS for lead batteries, NiMH (NiCd), Li-ION (LiFePO<sub>4</sub>)

Input: wide-range input DC 12 V, DC 24 V, output: max. DC 20 A



---

### Identification

Type CDCU20 12/24DC UPS  
Part No. [723100](#)

---

### Product version

Datasheet version 00

---

### Input

Input voltage DC 12 V or 24 V  
Input current Max. DC 20 A  
Status display input See monitoring  
Parameterisation Button/LCD display  
Software Powermaster  
(free Download LUTZE web page)  
Protection device Input None

---

### Energy storage

Memory type Chemical (lead based, Ni-MH / Ni-Cd, Li-ION / LiFePo<sub>4</sub>)  
Nominal battery voltage DC 12 V or DC 24 V  
Max. charging current DC 5 A  
Max. battery capacity Max. 150 Ah  
Max. output current 20 A, 35 A @ 5 s  
Switching time on memory medium <5 µs  
Backup time Can be configured max. up to deep discharging protection

---

#### United Kingdom: LÜTZE Ltd.

Unit 3, Sandy Hill Park  
Sandy Way, Amington • GB-Tamworth, Staffs B77 4DU  
Tel. +44 (0)1827 31333-0 • Fax +44 (0)1827 31333-2  
[www.lutze.com](http://www.lutze.com) • [sales.gb@lutze.co.uk](mailto:sales.gb@lutze.co.uk)

#### Germany: Friedrich Lütze GmbH

Postfach 12 24 (PLZ 71366) • Bruckwiesenstraße 17-19 • D-71384 Weinstadt  
Tel. +49 (0)7151 6053-0 • Fax +49 (0)7151 6053-277(-288)  
[www.luetze.de](http://www.luetze.de) • [info@luetze.de](mailto:info@luetze.de)

22.09.2023 • Subject to technical modification

Part No. [723100](#) • Datasheet version: 00

page 1 of 4



SYSTEMATIC TECHNOLOGY

## Technical data sheet

### Power supply · Compact DC UPS, 480 W

---

#### Output

---

Output voltage/current	max. DC 20 A
Rated voltage $U_N$	DC 24 V
Output voltage	DC 10 - 29 V
Rated current $I_N$	20 A
Max. output current	DC 20 A, 35 A @ 5 s

---

#### Status indication

---

Status display output	See monitoring
-----------------------	----------------

---

#### Monitoring

---

Number of channels	2
Monitored functions	Coulomb counter, battery temperature, battery operating hours, no. of charging cycles
Switching voltage	30 V
Switching current	2 A
Contact type	N/O contact

---

#### General

---

Insulation voltage input / ground	0.5 kV, 1 min.
Cooling	Free convection
Housing material	Aluminum
Mounting	DIN rail mountable TS35 (EN 60715)
Installation position	Vertical
Degree of protection	IP20 (EN 60529)
Weight/unit	0.5 kg
Connection type	IN/Battery/Out : 6 pin connector 2.5 mm <sup>2</sup> , Grid dimensions 5.08 Auxiliary: 7 pin connector 0.5 mm <sup>2</sup> , Grid dimensions 2.54 Temperature sensor: 2 pin, friction lock, Grid dimensions 2 mm USB: Mini USB connector
Dimensions (w × h × d)	54.0 mm × 115.0 mm × 110.0 mm
Max. Power Dissipation (Nominal operations)	<13 W
Max. Power Dissipation (Battery mode)	<18 W
Charging efficiency	>90 %
PU (units)	1

---

#### General ambient conditions

---

Operation temperature range	-40 °C ... +60 °C (UL approved up to +60 °C)
Storage temperature range	-40 °C ... +80 °C
Over voltage category	I (EN 50178)
Degree of pollution	2 (IEC 60664-1)
Relative air humidity	5 – 95 % RH, non-condensing

---

## Technical data sheet

Power supply · Compact DC UPS, 480 W

### User Interface

USB	Connection to PC
Control Elements	4 keys (menu selection and programming)
Status indication	LED red ON: System error, flashing: Battery mode
LCD display	1.5 inch, colour, graphic

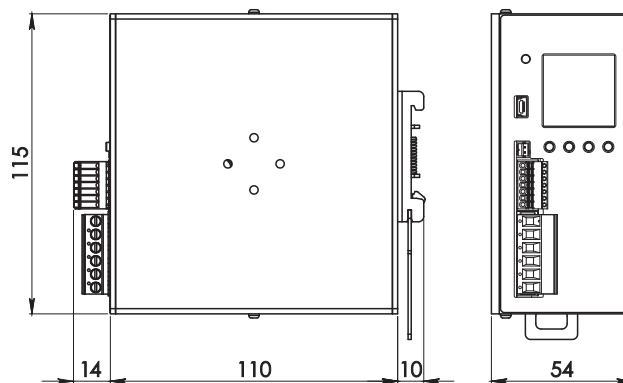
### Certifications/Standards

Certifications	CE UKCA cULus (E249179)
Standards	UL 508 IEC/EN 61010 IEC/EN 61010-2-201 IEC/EN 60950 EN 61000-6-4 EN 61000-6-2 IEC 60068-2-27 (Shock), 30 g 6 ms, 20 g 11 ms, 3 bumps / direction, 18 bumps total IEC 60068-2-6 (Vibration sinusoidal), 5-17.8 Hz: $\pm 1.6$ mm, 17.8-500 Hz: 2 g 2 hours / axis (X,Y,Z)

### Notes and Comments

Comments	Monitoring via LCD display Suitable for lead batteries, NI-MH, Li Digital control Battery charging current up to 5 A Output current up to 20 A Cold start automatic Configuration / monitoring also via software Remote On / Off Battery not included
----------	---

### Dimensions



# Technical data sheet

Power supply · Compact DC UPS, 480 W

## Use

UPS Mode

