

## Technical data sheet

Power supply · Compact serie, Redundant module

---

**Redundant module 12 to 85 V, 50 A**

**Potential-free signalling contact**

**Status LED per input**



---

### Identification

Type	CPSRM50
Part No.	<a href="#">722999</a>

---

### Product version

Datasheet version	00
-------------------	----

---

### Input

No. of inputs	2
Operation voltage range	DC 12–85 V
Rated current $I_N$	max. 50 A per input

---

### Output

Output voltage/current	DC 12 V–85 V/50 A
Voltage drop	<0.2 V
Max. output current	300 A
Power Dissipation	max. 10 W
Overtemperature protection	No
Over voltage protection	No

---

### Status indication

Status indication DC ON LED green	IN1, IN2 OK
Status indication DC ON LED red	Redundancy error

---

#### United Kingdom: LÜTZE Ltd.

Unit 3, Sandy Hill Park  
Sandy Way, Amington • GB-Tamworth, Staffs B77 4DU  
Tel. +44 (0)1827 31333-0 • Fax +44 (0)1827 31333-2  
[www.lutze.com](http://www.lutze.com) • [sales.gb@lutze.co.uk](mailto:sales.gb@lutze.co.uk)

#### Germany: Friedrich Lütze GmbH

Postfach 12 24 (PLZ 71366) • Bruckwiesenstraße 17-19 • D-71384 Weinstadt  
Tel. +49 (0)7151 6053-0 • Fax +49 (0)7151 6053-277(-288)  
[www.luetze.de](http://www.luetze.de) • [info@luetze.de](mailto:info@luetze.de)

22.09.2023 • Subject to technical modification

Part No. [722999](#) • Datasheet version: 00

page 1 of 4



SYSTEMATIC TECHNOLOGY

## Technical data sheet

### Power supply · Compact serie, Redundant module

---

#### Monitoring

---

DC ON Control (Rdy)	N/O contact
Switching voltage	AC 300 V / DC 24 V
Switching current	AC/DC 1 A
Switching capacity	300 VA / 30 W
Isolation voltage	DC 100 V

---

#### General

---

Cooling	Air convection
Housing material	Aluminum
Mounting	DIN rail mountable TS35 (EN 60715)
Installation position	Vertical
Degree of protection	IP20 (IEC 529 / EN 60529)
Weight/unit	0.35 kg
Connection type	Input Screw terminal plug-in 0.20 mm <sup>2</sup> – 16.0 mm <sup>2</sup> Output Screw terminal plug-in 0.20 mm <sup>2</sup> – 16.0 mm <sup>2</sup> Relays Screw terminal plug-in 0.20 mm <sup>2</sup> – 1.5 mm <sup>2</sup>
Dimensions (w × h × d)	40.0 mm × 115.0 mm × 110.0 mm
PU (units)	1

---

#### General ambient conditions

---

Operation temperature range	-40 °C ... +75 °C (UL approved up to +75 °C)
Storage temperature range	-40 °C ... +80 °C
Over voltage category	II
Degree of pollution	2
Relative air humidity	5 – 95 % RH, non-condensing
Vibration resistance	5 – 17.8 Hz: ±1.6 mm, 17.8 – 500 Hz: 2 g 2 hours/axes X,Y,Z, IEC 60068-2-6
Shock resistance	30 g 6 ms, 20 g 11 ms, 3 shocks/direction, 18 shocks in total, IEC60068-2-27

---

#### Certifications/Standards

---

Certifications	CE UKCA cULus (E249179)
----------------	-------------------------------

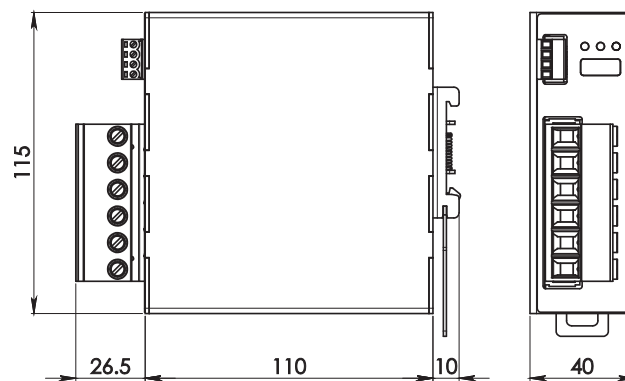
# Technical data sheet

## Power supply · Compact serie, Redundant module

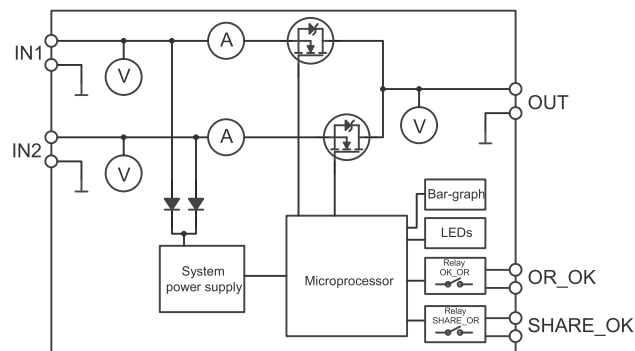
### Standards

UL 508  
IEC/EN 61010-1  
IEC/EN 61010-2-201  
IEC/EN 60950  
EN 55011 (CISPR11) Class A  
EN 55022 (CISPR22) Class A  
EN 61000-4-2 Level 3  
EN 61000-4-3 Level 3  
EN 61000-4-4 Level 3  
EN 61000-4-5 Level 3  
EN 61000-4-11 Level 2  
IEC 60068-2-6 (Vibration sinusoidal), 5-17.8 Hz:  $\pm 1.6$  mm, 17.8-500 Hz: 2 g  
2 hours / axis (X,Y,Z)  
IEC 60068-2-27 (Shock), 30 g 6 ms, 20 g 11 ms, 3 bumps / direction,  
18 bumps total

### Dimensions



### PIN assignment



# Technical data sheet

## Power supply · Compact serie, Redundant module

### Use

