

Technical data sheet

Power supply · Compact Universal, 240 W

Primary switched power supplies, PFC, 1/2/3-phase

Input: wide-range input AC 187–550 V, DC 250–725 V (UL: DC 300–500 V)

Output: DC 24 V, 10 A



Identification

Type CPSB-123-240-24
Part No. [722996](#)

Product version

Datasheet version 01

Input

Number of phases 3
Rated voltage U_N AC 200–500 V
Operation voltage range AC 187–550 V / DC 250–725 V (UL: DC 300–500 V)
Frequency range 47 Hz – 63 Hz
Rated current I_N 1-/2-phase: 2.2 A @ AC 220 V / 1.1 A @ AC 500 V, 3-phase: 1.5 A @ AC 220 V / 0.8 A @ AC 500 V
Inrush current ≤ 45 A / 1.31 A²s
External protection Mini-circuit breaker: D 4 A, C 6 A / safety fuse: T 6.3 A (required)
Power factor correction P.F.C. >0.6 @ 230 V, >0.5 @ 400 V

Output

Output voltage/current DC 24 V/10 A
Rated voltage U_N DC 24 V
Rated current I_N 10 A
Max. output current 15 A, 6 A
Short-circuit current 38 A
Power Dissipation <18 W
Setting range $U_{out\ min.}/U_{out\ max.}$ 23-28 V

United Kingdom: LÜTZE Ltd.

Unit 3, Sandy Hill Park
Sandy Way, Amington • GB-Tamworth, Staffs B77 4DU
Tel. +44 (0)1827 31333-0 • Fax +44 (0)1827 31333-2
www.lutze.com • sales.gb@lutze.co.uk

Germany: Friedrich Lütze GmbH

Postfach 12 24 (PLZ 71366) • Bruckwiesenstraße 17-19 • D-71384 Weinstadt
Tel. +49 (0)7151 6053-0 • Fax +49 (0)7151 6053-277(-288)
www.luetze.de • info@luetze.de

10.06.2022 • Subject to technical modification

Part No. [722996](#) • Datasheet version: 01

page 1 of 4



SYSTEMATIC TECHNOLOGY

Technical data sheet

Power supply · Compact Universal, 240 W

Load regulation	<1 %
Ripple and noise	<100 mV pp
Hold up time	>15 ms @ AC 230 V / >100 ms @ AC 500 V
Parallel / redundant mode	Yes/via external decoupling diode e.g. 722999
Efficiency	>93 %
Over voltage protection	>DC 33 V
Rated over load protection	Yes
Short circuit	Hiccup Mode

Status indication

Status indication DC ON LED green	≥21.6 V
Status indication DC LOW LED red	≤21.6 V

Monitoring

DC ON Control (Rdy)	N/O contact
Switching voltage	DC 30 V
Switching current	DC 1 A
Switching capacity	30 W
Isolation voltage	AC 500 V

General

Insulation voltage input / output	DC 4.2 kV
Insulation voltage input / ground	DC 2.2 kV
Insulation voltage output / ground	DC 750 V
Derating	>50 °C: -4.2 W/°C
Cooling	Air convection, 50 mm distance top/bottom, 20 mm side
Housing material	Aluminum
Mounting	DIN rail mountable TS35 (EN 60715)
Installation position	Vertical
MTBF	>500000 h: SN29500 / >500000 h: MIL HDBK 217F
Degree of protection	IP20 (IEC 529 / EN 60529)
Protection class	I
Weight/unit	0.65 kg
Connection type	Screw terminal 0,20 mm ² – 2,5 mm ² AWG 30 – AWG 12 plug-in
Dimensions (w × h × d)	54.0 mm × 115.0 mm × 110.0 mm
PU (units)	1

General ambient conditions

Operation temperature range	-40 °C ... +70 °C (UL approved up to +50 °C)
Storage temperature range	-40 °C ... +80 °C
Over voltage category	III

Technical data sheet

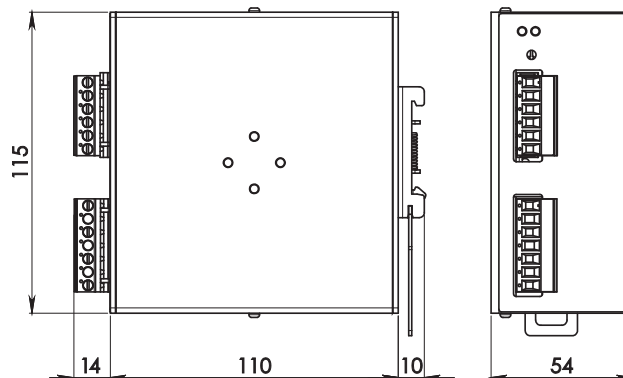
Power supply · Compact Universal, 240 W

Degree of pollution	2
Relative air humidity	5 – 95 % RH, non-condensing
Vibration resistance	5 – 17.8 Hz: ± 1.6 mm, 17.8 – 500 Hz: 2 g 2 hours/axes X,Y,Z, IEC 60068-2-6
Shock resistance	30 g 6 ms, 20 g 11 ms, 3 shocks/direction, 18 shocks in total, IEC60068-2-27

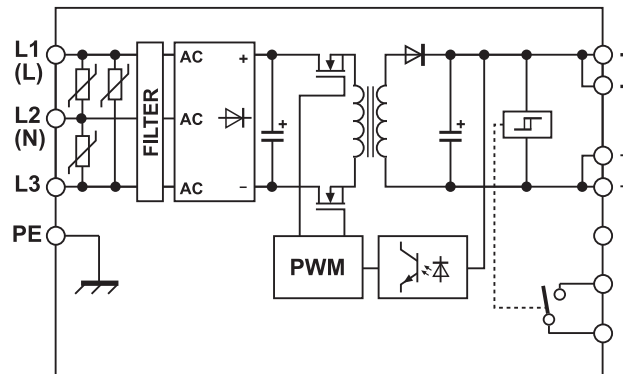
Certifications/Standards

Certifications	CE UKCA cULus (E249179)
Standards	UL 508 IEC/EN 61010-1 IEC/EN 61010-2-201 IEC/EN 60950 EN 55011 (CISPR11) Class A EN 55022 (CISPR22) Class A EN 61000-4-2 Level 3 EN 61000-4-3 Level 3 EN 61000-4-4 Level 3 EN 61000-4-5 Level 1 EN 61000-4-11 Level 2 IEC 60068-2-6 (Vibration sinusoidal), 5-17.8 Hz: ± 1.6 mm, 17.8-500 Hz: 2 g 2 hours / axis (X,Y,Z) IEC 60068-2-27 (Shock), 30 g 6 ms, 20 g 11 ms, 3 bumps / direction, 18 bumps total

Dimensions



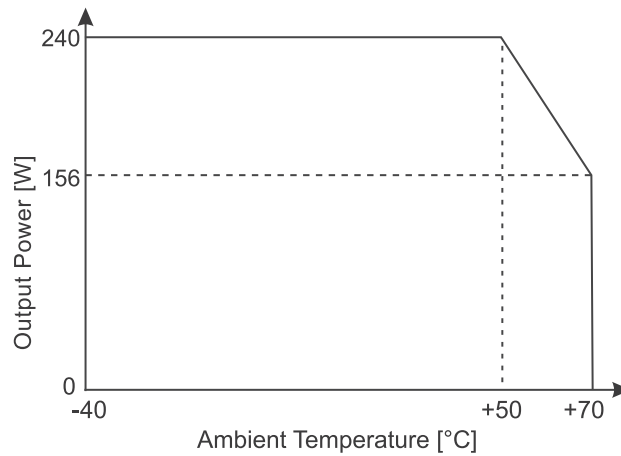
PIN assignment



Technical data sheet

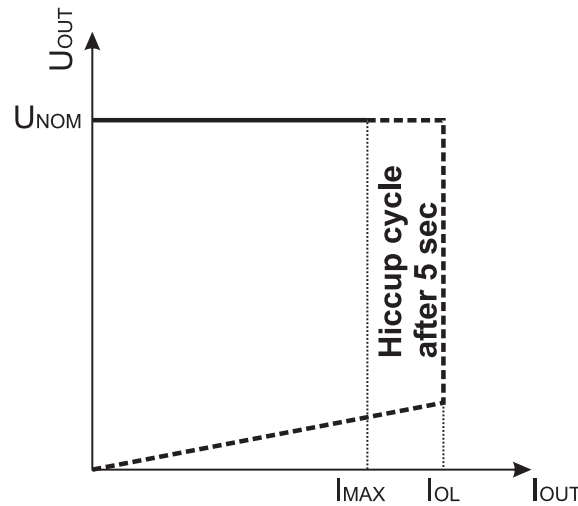
Power supply · Compact Universal, 240 W

Derating



Short circuit characteristics

Hiccup limitation output characteristic



Short circuit conditions

