

Technical data sheet

Load monitoring · LOCC-Box-GWPB

Gateway for LOCC-Box-Net versions

Input: LOCCbus (LIN)

Output: USB, PROFIBUS-DP



Identification

Type	LOCC-Box-GWPB 0-6458
Part No.	716458

Product version

Datasheet version	01
-------------------	----

Input

Bus system	LOCCbus, base LIN
Access method	Single-Master - Multiple Slave
Bus technology	Line
Physical level	1-wire
Transfer rate	9600 Baud
Data rate	8 Bit + fixed parity (Bit 9)
Transfer protocol	Modified multi-drop
Operation voltage range	10-32 V
Reverse voltage protection	Yes

Communication internal

Participants	typ. 40, max. 84
Transfer rate	9600 Baud
Bus length	Max. 40 m

Output

Bus system	USB 2.0 Full-Speed, PROFIBUS-DP
------------	---------------------------------

United Kingdom: LÜTZE Ltd.

Unit 3, Sandy Hill Park
Sandy Way, Amington • GB-Tamworth, Staffs B77 4DU
Tel. +44 (0)1827 31333-0 • Fax +44 (0)1827 31333-2
www.lutze.com • sales.gb@lutze.co.uk

Germany: Friedrich Lütze GmbH

Postfach 12 24 (PLZ 71366) • Bruckwiesenstraße 17-19 • D-71384 Weinstadt
Tel. +49 (0)7151 6053-0 • Fax +49 (0)7151 6053-277(-288)
www.luetze.de • info@luetze.de

09.06.2022 • Subject to technical modification

Part No. [716458](#) • Datasheet version: 01

page 1 of 3



SYSTEMATIC TECHNOLOGY

Technical data sheet

Load monitoring · LOCC-Box-GWPB

Transfer rate	USB: 12 Mbit/s PROFIBUS-DP: max. 12 Mbit/s
Interface	USB: USB connector, Type B PROFIBUS-DP: Port_1, SUB-D 9-pin with galvanic isolation

General

Rated voltage U_N	DC 12/24 V
Rated current	120 mA @ 24 V
Status indication	LED D, green - shines: data exchange via PROFIBUS-DP LED E, red - different flash codes for diagnosis of PROFIBUS-DP faults LED P, green - on: operating voltage is supplied (POWER) LED C, green - flashing: data traffic with LOCC-Box-Net modules (LOCCbus)
Dimensions (w × h × d)	22.5 mm × 99.0 mm × 114.5 mm
Housing material	PA 6.6 (UL 94 V-0)
Mounting	DIN rail mountable TS35 (EN 60715)
Installation position	Any
Degree of protection	IP20
Connection type	Spring terminal 0.14 mm ² – 2.5 mm ² (with ferrule 1.5 mm ²)
Weight/unit	0.13 kg
PU (units)	1

General ambient conditions

Operation temperature range	-25 °C ... +50 °C
Storage temperature range	-40 °C ... +85 °C
Relative air humidity	max. 90 % not condensing
Shock resistance	15 g acc. EN 60068-2-27

Certifications/Standards

Conformity	CE UKCA
Standards	EN 61000-6-2 EN 61000-6-4

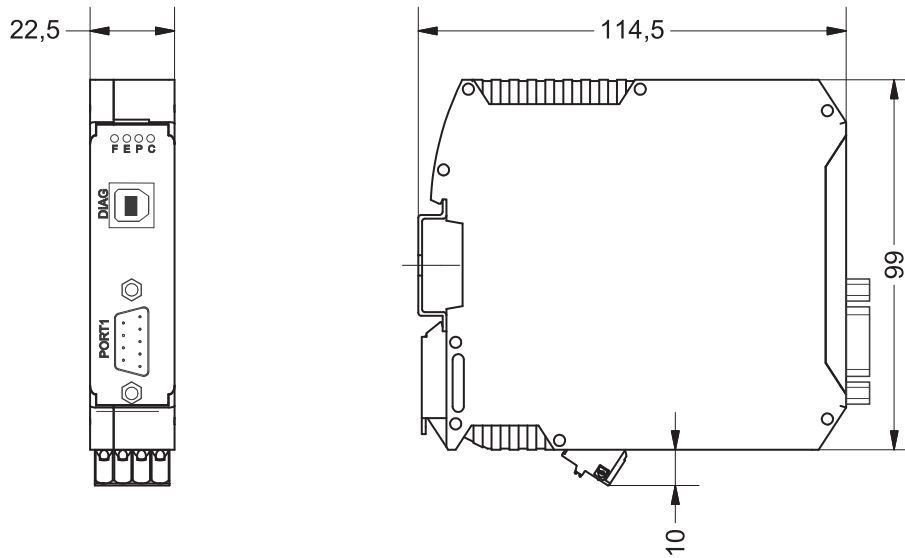
Notes and Comments

Comments	Screw terminal on request
----------	---------------------------

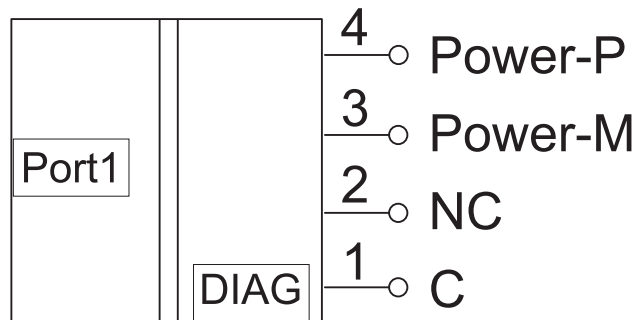
Technical data sheet

Load monitoring · LOCC-Box-GWPB

Dimensions



PIN assignment



Use

