

## Technical data sheet

### Load monitoring · LOCC-Box-GWEC

---

#### Gateway for LOCC-Box-Net versions

Input: LOCCbus (LIN)

Output: USB, EtherCAT



---

#### Identification

Type	LOCC-Box-GWEC 0-6456
Part No.	<a href="#">716456</a>

---

#### Product version

Datasheet version	01
-------------------	----

---

#### Input

Bus system	LOCCbus, base LIN
Access method	Single-Master - Multiple Slave
Bus technology	Line
Physical level	1-wire
Transfer rate	9600 Baud
Data rate	8 Bit + fixed parity (Bit 9)
Transfer protocol	Modified multi-drop
Operation voltage range	10-32 V
Reverse voltage protection	Yes

---

#### Communication internal

Participants	typ. 40, max. 64
Transfer rate	9600 Baud
Bus length	Max. 40 m

---

#### Output

Bus system	USB 2.0 Full-Speed, EtherCAT
------------	------------------------------

---

#### United Kingdom: LÜTZE Ltd.

Unit 3, Sandy Hill Park  
Sandy Way, Amington • GB-Tamworth, Staffs B77 4DU  
Tel. +44 (0)1827 31333-0 • Fax +44 (0)1827 31333-2  
[www.lutze.com](http://www.lutze.com) • [sales.gb@lutze.co.uk](mailto:sales.gb@lutze.co.uk)

#### Germany: Friedrich Lütze GmbH

Postfach 12 24 (PLZ 71366) • Bruckwiesenstraße 17-19 • D-71384 Weinstadt  
Tel. +49 (0)7151 6053-0 • Fax +49 (0)7151 6053-277(-288)  
[www.luetze.de](http://www.luetze.de) • [info@luetze.de](mailto:info@luetze.de)

09.06.2022 • Subject to technical modification

Part No. [716456](#) • Datasheet version: 01

page 1 of 3



SYSTEMATIC TECHNOLOGY

## Technical data sheet

### Load monitoring · LOCC-Box-GWEC

---

Transfer rate	USB: 12 Mbit/s EtherCAT: 100 bit/s (IEE 802.3)
Interface	USB: USB connector, Type B EtherCAT: IN, OUT, 2 × RJ45 female connector with galvanic isolation and LEDs

---

#### General

---

Rated voltage $U_N$	DC 12/24 V
Rated current	55 mA @ 24 V
Status indication	LED L, red - flashing: EEPROM Error, EEPROM not charged LED R, green - shining: ECT Run LED E, green - shining: ECT Error LED C, green - flashing: data traffic with LOCC-Box-Net modules (LOCCbus) Link/Activity: green - 100Base/T-connection, flashes when there is EtherCAT-traffic Connect: yellow - Speed-LED, 100Base/T-connection
Dimensions (w × h × d)	22.5 mm × 99.0 mm × 114.5 mm
Housing material	PA 6.6 (UL 94 V-0)
Mounting	DIN rail mountable TS35 (EN 60715)
Installation position	Any
Degree of protection	IP20
Connection type	Spring terminal 0.14 mm <sup>2</sup> – 2.5 mm <sup>2</sup> (with ferrule 1.5 mm <sup>2</sup> )
Weight/unit	0.13 kg
PU (units)	1

---

#### General ambient conditions

---

Operation temperature range	-25 °C ... +50 °C
Storage temperature range	-40 °C ... +85 °C
Relative air humidity	max. 90 % not condensing
Shock resistance	15 g acc. EN 60068-2-27

---

#### Certifications/Standards

---

Conformity	CE UKCA
Standards	EN 61000-6-2 EN 61000-6-3

---

#### Notes and Comments

---

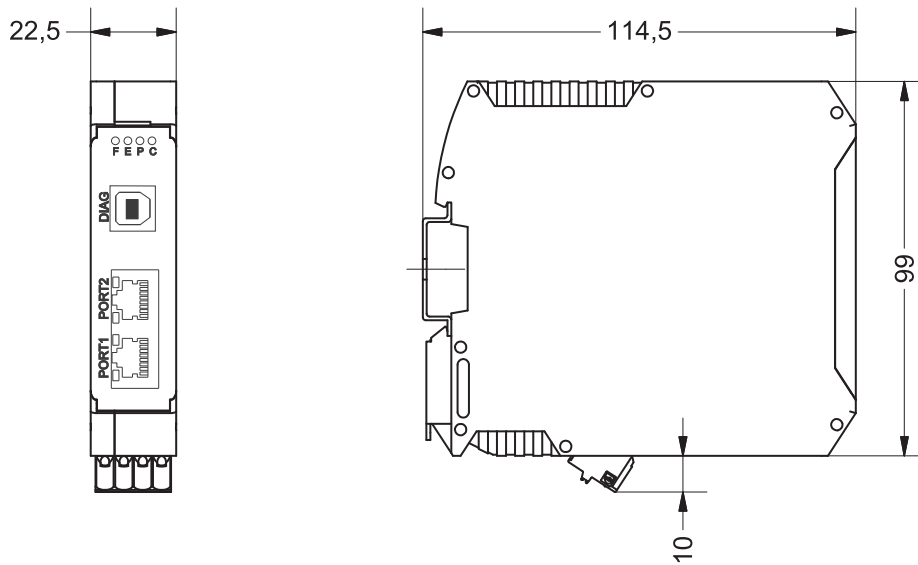
Comments	Screw terminal on request
----------	---------------------------

---

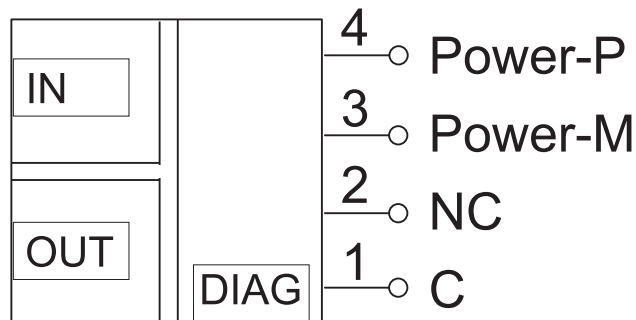
# Technical data sheet

Load monitoring · LOCC-Box-GWEC

## Dimensions



## PIN assignment



## Use

