

Technical data sheet

Load monitoring · LOCC-Box Accessories

24 V - Distribution terminal
Single-channel design
maximum total current 10 A



Identification

Type	LOCC-Box-VKL 7-6448
Part No.	716448

Product version

Hardware revision	2.0
Datasheet version	03

Input

Rated voltage U_N	DC 12/24/48 V
Rated current I_N	max. DC 10 A
Reverse voltage protection	No
Connection type input	Push-In 0.25 mm ² – 2.5 mm ² AWG 23 – AWG 14
Connection	1 – 4

General

Accessories	24 V Distribution terminal
Connection type	Push-In 0.25 mm ² – 2.5 mm ² AWG 24 – AWG 14
Housing material	PA 6.6 (UL 94 V-0, NFF I2, F2)
Mounting	DIN rail mountable TS35 (EN 60715)
Degree of protection	IP20 (only as complete system with power terminal and end block)

United Kingdom: LÜTZE Ltd.

Unit 3, Sandy Hill Park
Sandy Way, Amington • GB-Tamworth, Staffs B77 4DU
Tel. +44 (0)1827 31333-0 • Fax +44 (0)1827 31333-2
www.lutze.com • sales.gb@lutze.co.uk

Germany: Friedrich Lütze GmbH

Postfach 12 24 (PLZ 71366) • Bruckwiesenstraße 17-19 • D-71384 Weinstadt
Tel. +49 (0)7151 6053-0 • Fax +49 (0)7151 6053-277(-288)
www.luetze.de • info@luetze.de

22.08.2023 • Subject to technical modification

Part No. [716448](#) • Datasheet version: 03

page 1 of 3



SYSTEMATIC TECHNOLOGY

Technical data sheet

Load monitoring · LOCC-Box Accessories

Installation position	Any
Dimensions (w × h × d)	8.1 mm × 107.4 mm × 116.0 mm
Weight/unit	0.102 kg
PU (units)	2

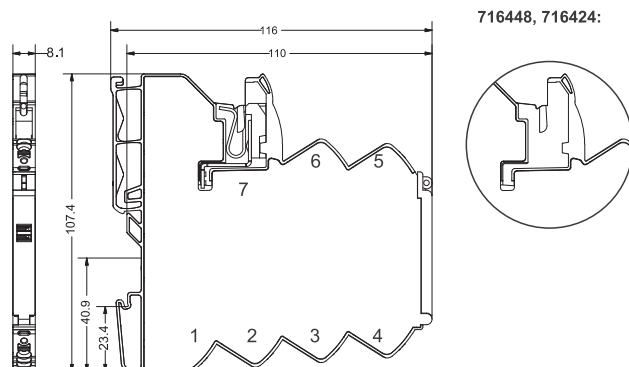
General ambient conditions

Operation temperature range	-25 °C ... +50 °C
Storage temperature range	-40 °C ... +85 °C
Relative air humidity	10 % – 95 %, without condensation
Vibration resistance	4 g acc. to EN 60068-2-6
Shock resistance	15 g acc. EN 60068-2-27

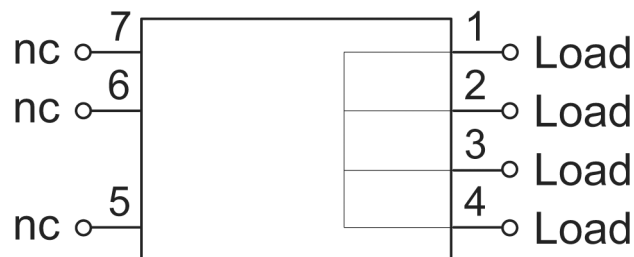
Certifications/Standards

Certifications	cULus (E135145)
Standards	EN 60947-1 EN 60947-5-1 UL 60947-5-1 DNVGL-CG-0339 Temperature Class D – not certified Humidity Class B – not certified Vibration Class B – not certified Enclosure Class A – not certified

Dimensions



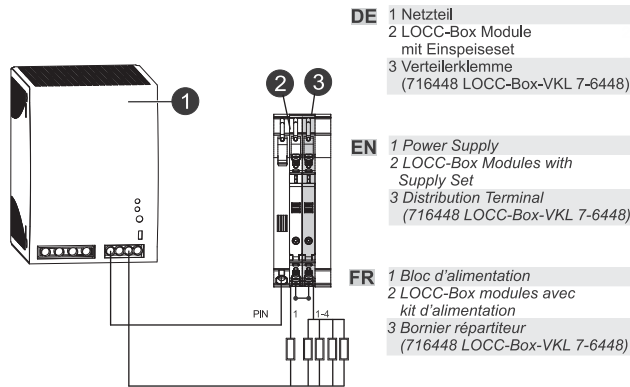
PIN assignment



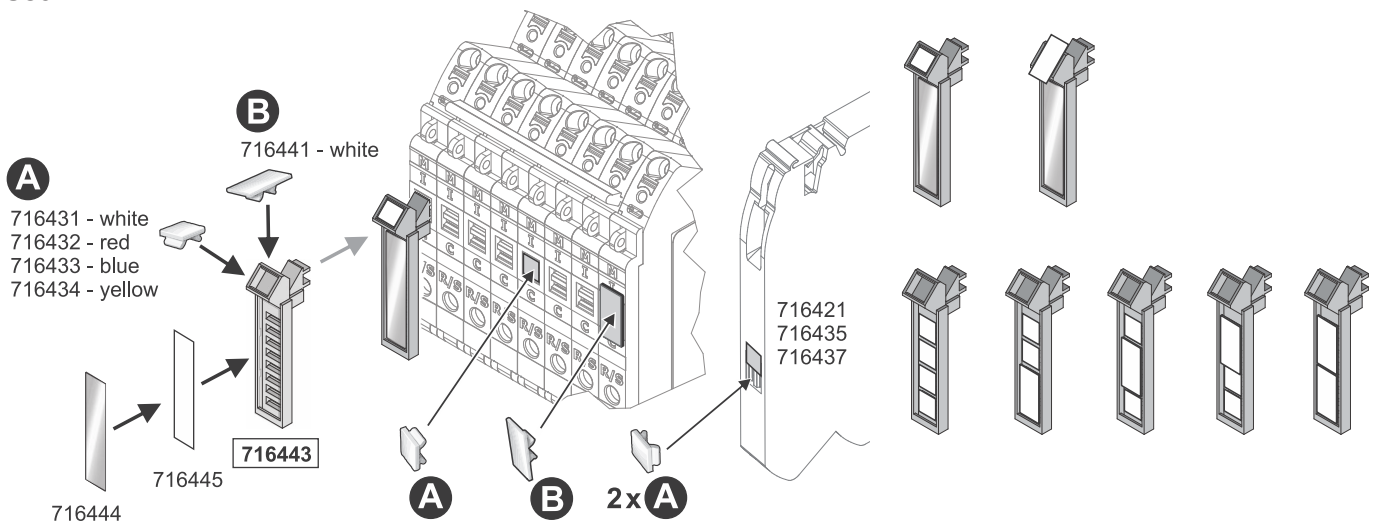
Technical data sheet

Load monitoring · LOCC-Box Accessories

Use



Use



Mounting diagram

