

## Technical data sheet

### Load monitoring · LOCC-Box Accessories

---

#### Labelling system

Protective cap, 30 x 6 x 0.7 mm

Single labels



---

#### Identification

Type LOCC-Box-BAD 7-6444  
Part No. [716444](#)

---

#### Product version

Datasheet version 02

---

#### Description

Description Transparent protective film for insertion labels (716445)

---

#### General

Accessories Cover for tag holder  
Design Cover for tag holder  
Material Polyester  
PVC free  
Color transparent  
Dimensions (L×H×T) 30,0 × 6,0 × 0,7 mm  
MTBF 690000 h  
Weight/unit 0.00015 kg  
PU (units) 20

---

#### General ambient conditions

Operation temperature range -25 °C ... +50 °C  
Storage temperature range -40 °C ... +85 °C  
Vibration resistance 0.7 g acc. to EN 60068-2-6

---

#### United Kingdom: LÜTZE Ltd.

Unit 3, Sandy Hill Park  
Sandy Way, Amington · GB-Tamworth, Staffs B77 4DU  
Tel. +44 (0)1827 31333-0 · Fax +44 (0)1827 31333-2  
[www.lutze.com](http://www.lutze.com) · [sales.gb@lutze.co.uk](mailto:sales.gb@lutze.co.uk)

#### Germany: Friedrich Lütze GmbH

Postfach 12 24 (PLZ 71366) · Bruckwiesenstraße 17-19 · D-71384 Weinstadt  
Tel. +49 (0)7151 6053-0 · Fax +49 (0)7151 6053-277(-288)  
[www.luetze.de](http://www.luetze.de) · [info@luetze.de](mailto:info@luetze.de)

17.04.2023 · Subject to technical modification

Part No. [716444](#) · Datasheet version: 02

page 1 of 4



SYSTEMATIC TECHNOLOGY

## Technical data sheet

### Load monitoring · LOCC-Box Accessories

---

Shock resistance 15 g acc. EN 60068-2-27

---

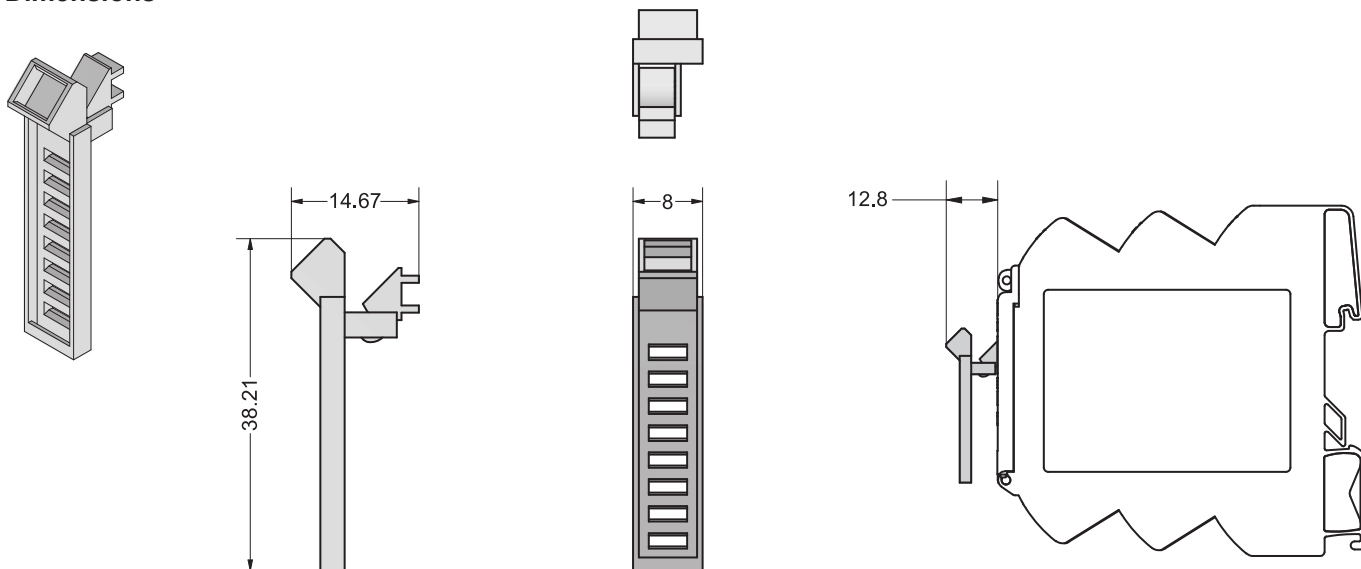
#### Certifications/Standards

---

Conformity Standards RoHS  
EN 60947-1

---

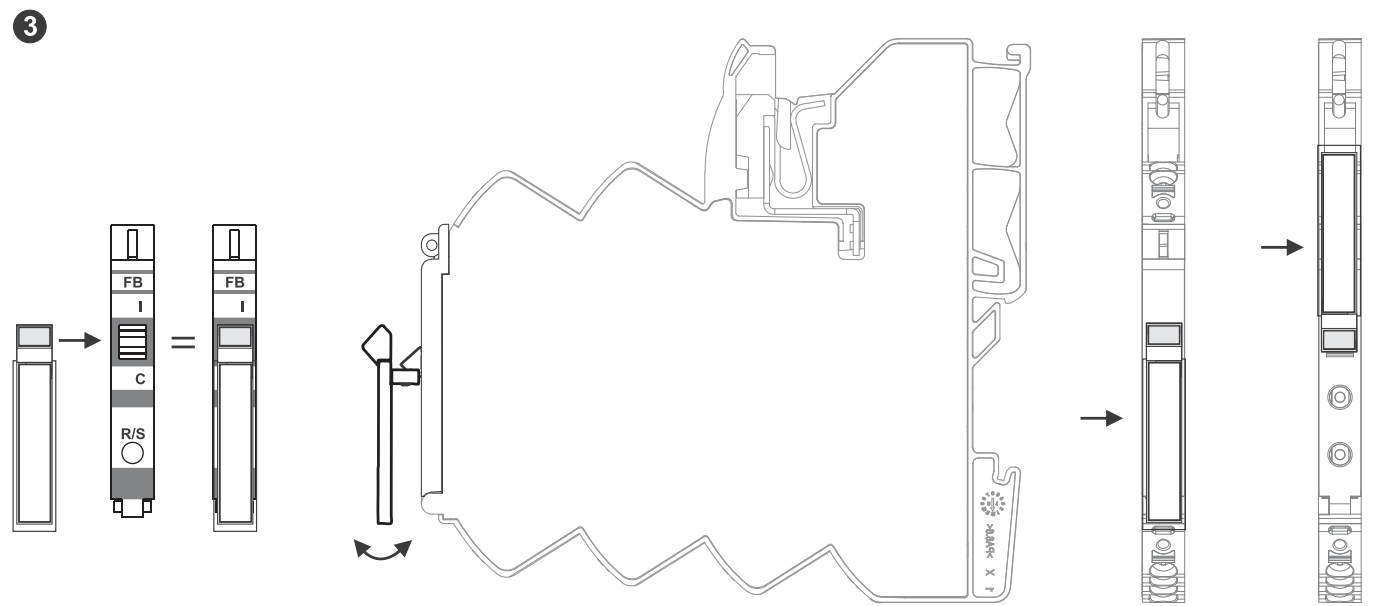
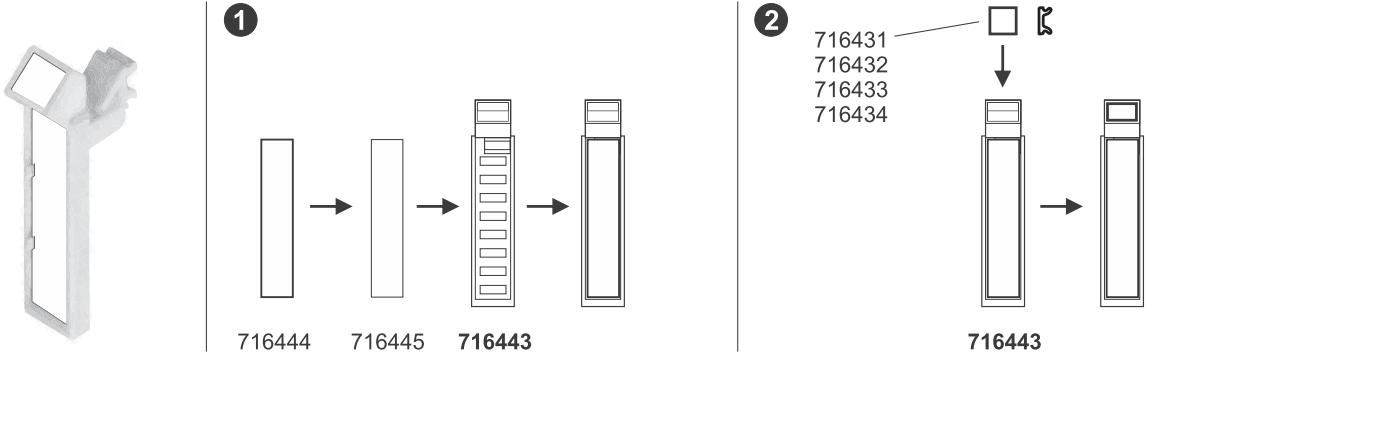
#### Dimensions



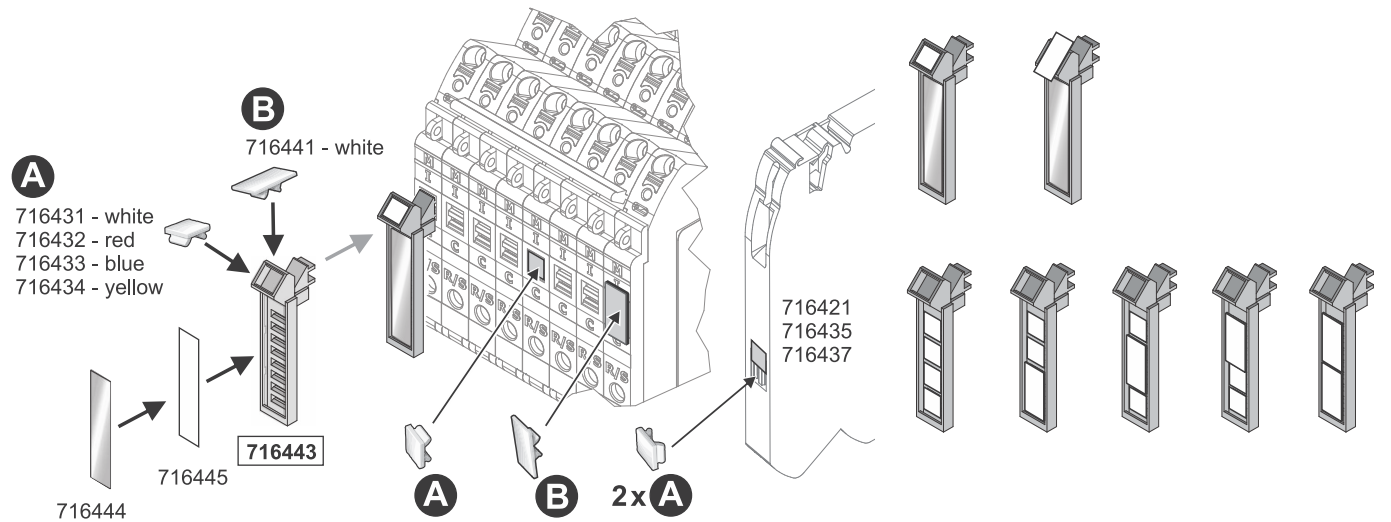
# Technical data sheet

## Load monitoring · LOCC-Box Accessories

### Use



### Use



# Technical data sheet

## Load monitoring · LOCC-Box Accessories

### Use

