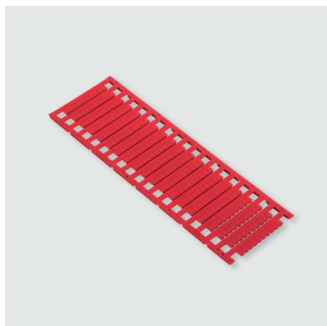


# Technical data sheet

## LOCC-Box Accessories

---

**Labeling system**  
**Labeling tags 5 × 5 mm**  
**single signs**



---

### Identification

---

Type LOCC-Box-BZR 7-6432  
Part No. [716432](#)

---

### Product version

---

Datasheet version 02

---

### Description

---

Description Terminal marker 5×5 mm, frame with 200 pieces, printable (Dekafix compatible)

---

### General

---

Accessories	Labelling sign 5x5 mm red
Design	200 tabs
Pin spacing	5 mm
Material	PA 6.6 (UL 94 V2)
Color	red
Installation position	Any
Flamability according to UL 94	V2
Dimensions	5 × 5 mm
MTBF	690000 h
Weight/unit	0.01 kg
PU (units)	1

---

#### United Kingdom: LÜTZE Ltd.

Unit 3, Sandy Hill Park  
Sandy Way, Amington • GB-Tamworth, Staffs B77 4DU  
Tel. +44 (0)1827 31333-0 • Fax +44 (0)1827 31333-2  
[www.lutze.com](http://www.lutze.com) • [sales.gb@lutze.co.uk](mailto:sales.gb@lutze.co.uk)

#### Germany: Friedrich Lütze GmbH

Postfach 12 24 (PLZ 71366) • Bruckwiesenstraße 17-19 • D-71384 Weinstadt  
Tel. +49 (0)7151 6053-0 • Fax +49 (0)7151 6053-277(-288)  
[www.luetze.de](http://www.luetze.de) • [info@luetze.de](mailto:info@luetze.de)

04.08.2023 • Subject to technical modification

Part No. [716432](#) • Datasheet version: 02

page 1 of 4



SYSTEMATIC TECHNOLOGY

# Technical data sheet

## LOCC-Box Accessories

### General ambient conditions

Operation temperature range      -40 °C ... +100 °C  
Storage temperature range        -40 °C ... +100 °C

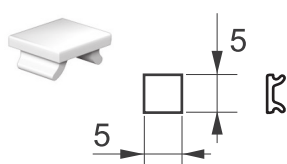
### Certifications/Standards

Conformity                              RoHS  
Certifications                          UL 94 V2

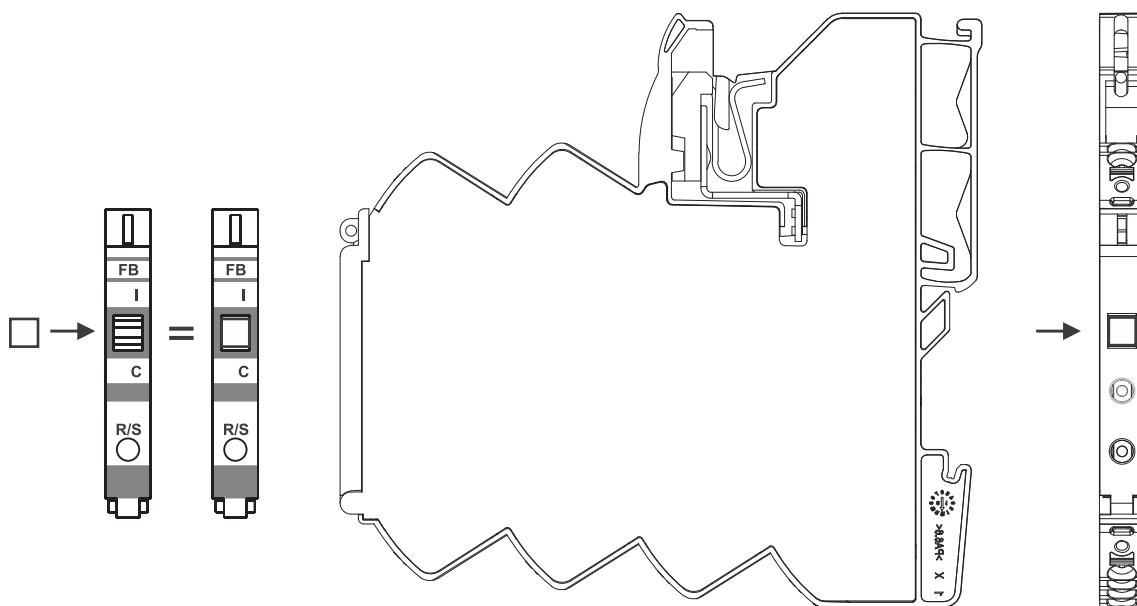
### Notes and Comments

Note                                        halogen-free

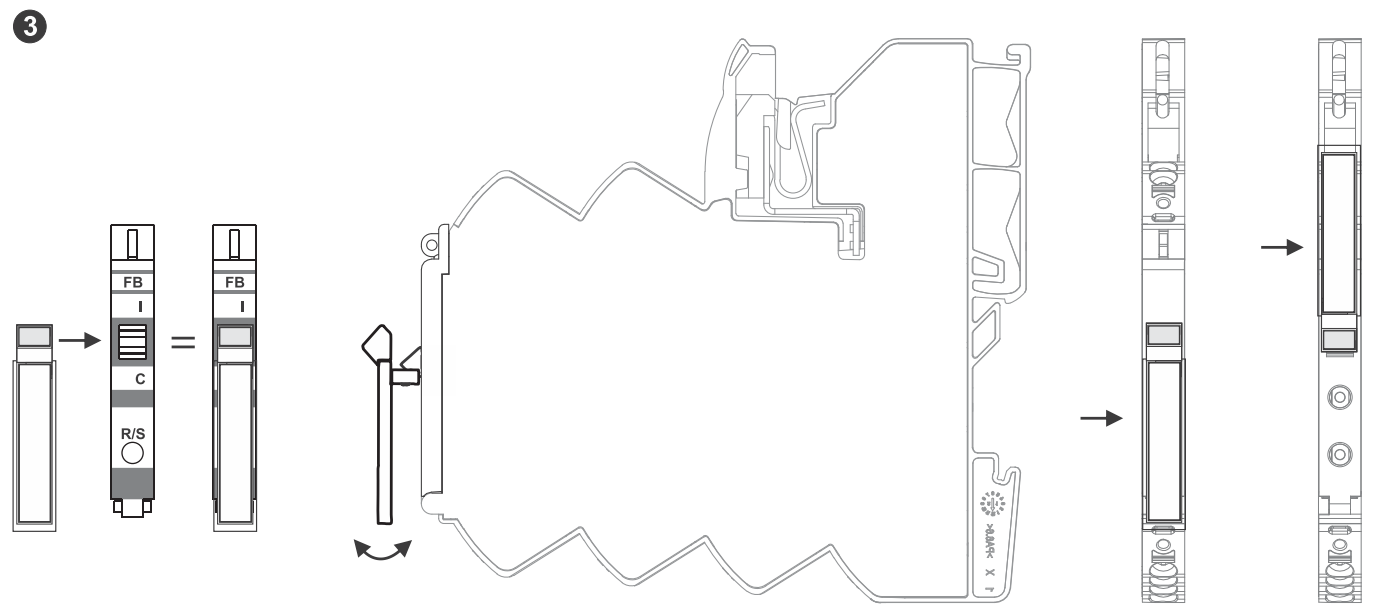
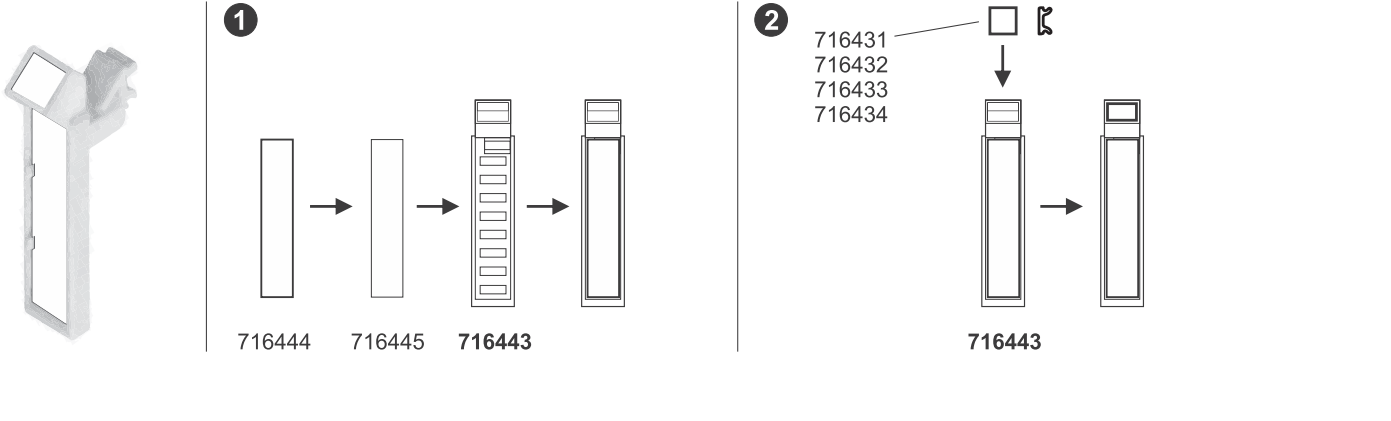
### Dimensions



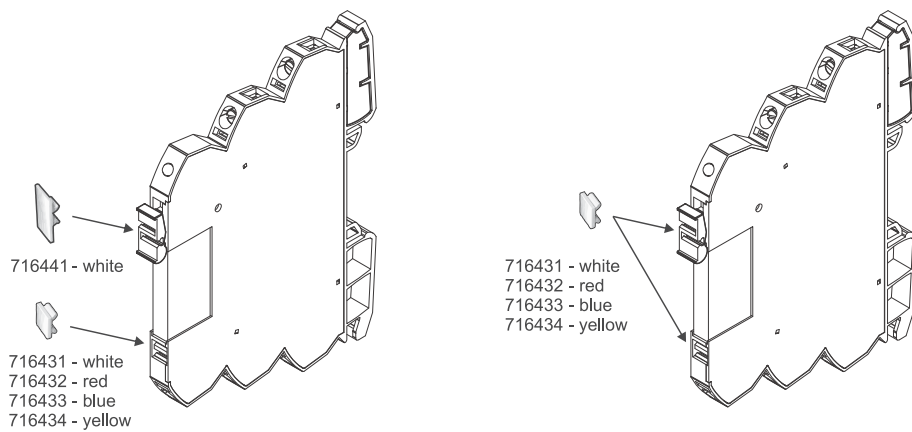
### Use



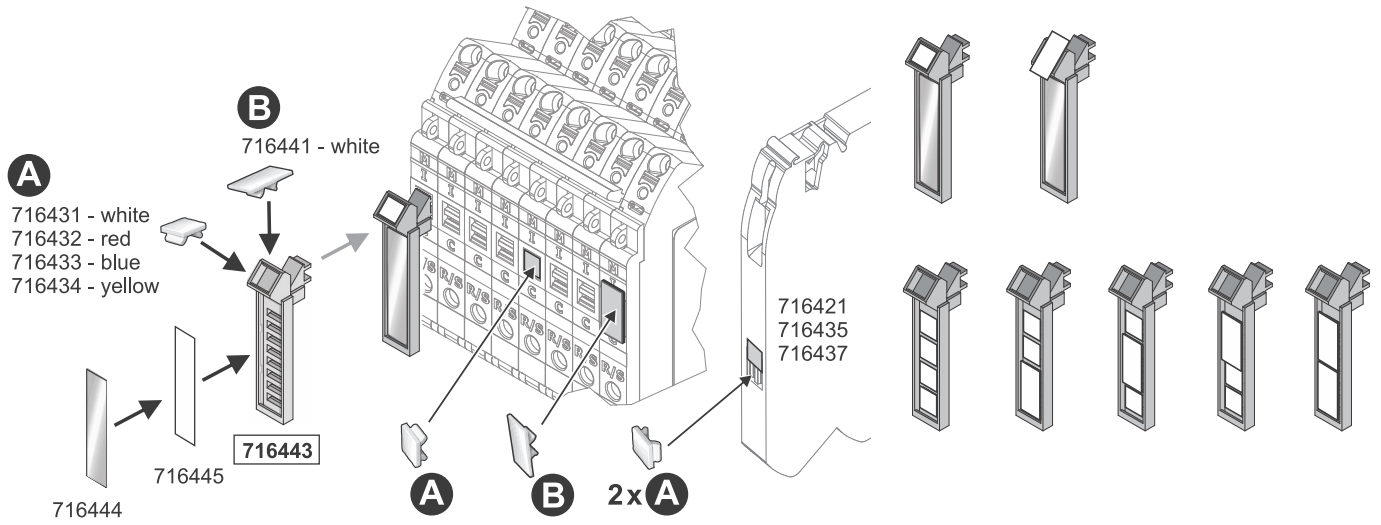
**Use**



**Use**



**Use**



**Use**

