

Technical data sheet

Load monitoring · LOCC-Box Accessories

LOCC-Box empty housing without terminals: art.no. 716424



Identification

Type LOCC-Box-DY 7-6424
Part No. [716424](#)

Product version

Hardware revision 2.0
Datasheet version 04

Description

Description The LOCC-Box empty housing without contacts or terminals can be used as a placeholder for future expansions.
The housing is provided with an unprinted transparent cover.

General

Accessories Empty housing without terminals
Housing material PA 6.6 (UL 94 V-0, NFF I2, F2)
Color of the housing basalt grey
Mounting DIN rail mountable TS35
(EN 60715)
Installation position Any
Dimensions (w × h × d) 8.1 mm × 107.4 mm × 116.0 mm
Weight/unit 0.102 kg
PU (units) 2

General ambient conditions

Operation temperature range -25 °C ... +50 °C
Storage temperature range -40 °C ... +85 °C

United Kingdom: LÜTZE Ltd.

Unit 3, Sandy Hill Park
Sandy Way, Amington • GB-Tamworth, Staffs B77 4DU
Tel. +44 (0)1827 31333-0 • Fax +44 (0)1827 31333-2
www.lutze.com • sales.gb@lutze.co.uk

Germany: Friedrich Lütze GmbH

Postfach 12 24 (PLZ 71366) • Bruckwiesenstraße 17-19 • D-71384 Weinstadt
Tel. +49 (0)7151 6053-0 • Fax +49 (0)7151 6053-277(-288)
www.luetze.de • info@luetze.de

09.12.2022 • Subject to technical modification

Part No. [716424](#) • Datasheet version: 04

page 1 of 2



SYSTEMATIC TECHNOLOGY

Technical data sheet

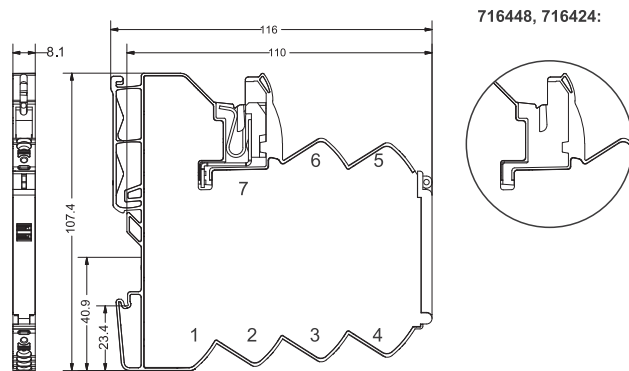
Load monitoring · LOCC-Box Accessories

Relative air humidity	10 % – 95 %, without condensation
Vibration resistance	4 g acc. to EN 60068-2-6
Shock resistance	15 g acc. EN 60068-2-27

Certifications/Standards

Certifications	cULus (E135145)
Standards	EN 60947-1 EN 60947-5-1 UL 60947-5-1 DNVGL-CG-0339 Temperature Class D – not certified Humidity Class B – not certified Vibration Class B – not certified Enclosure Class A – not certified

Dimensions



Use

