

## Technical data sheet

### Load monitoring · LOCC-Box Accessories

---

#### LOCC-Box 0V Collective Terminal

Single-channel design

maximum total current 40 A



---

#### Identification

Type	LOCC-Box-SK 7-6420
Part No.	<a href="#">716420</a>

---

#### Product version

Hardware revision	2.0
Datasheet version	02

---

#### Input

Rated voltage $U_N$	DC 12/24 V
Rated current $I_N$	6 × max. DC 10 A
Reverse voltage protection	No
Connection type input	screwless contact slide

---

#### Output

Output current	max. DC 40 A
----------------	--------------

---

#### General

Accessories	0 V collective terminal
Connection type	Push-In 0.25 mm <sup>2</sup> – 2.5 mm <sup>2</sup> AWG 24 – AWG 14
Housing material	PA 6.6 (UL 94 V-0, NFF I2, F2)
Mounting	DIN rail mountable TS35 (EN 60715)
Degree of protection	IP20 (only as complete system with power terminal and end block)

---

#### United Kingdom: LÜTZE Ltd.

Unit 3, Sandy Hill Park  
Sandy Way, Amington • GB-Tamworth, Staffs B77 4DU  
Tel. +44 (0)1827 31333-0 • Fax +44 (0)1827 31333-2  
[www.lutze.com](http://www.lutze.com) • [sales.gb@lutze.co.uk](mailto:sales.gb@lutze.co.uk)

#### Germany: Friedrich Lütze GmbH

Postfach 12 24 (PLZ 71366) • Bruckwiesenstraße 17-19 • D-71384 Weinstadt  
Tel. +49 (0)7151 6053-0 • Fax +49 (0)7151 6053-277(-288)  
[www.luetze.de](http://www.luetze.de) • [info@luetze.de](mailto:info@luetze.de)

09.12.2022 • Subject to technical modification

Part No. [716420](#) • Datasheet version: 02

page 1 of 3



SYSTEMATIC TECHNOLOGY

## Technical data sheet

### Load monitoring · LOCC-Box Accessories

Installation position	Any
Dimensions (w × h × d)	8.1 mm × 107.4 mm × 116.0 mm
Weight/unit	0.102 kg
PU (units)	2

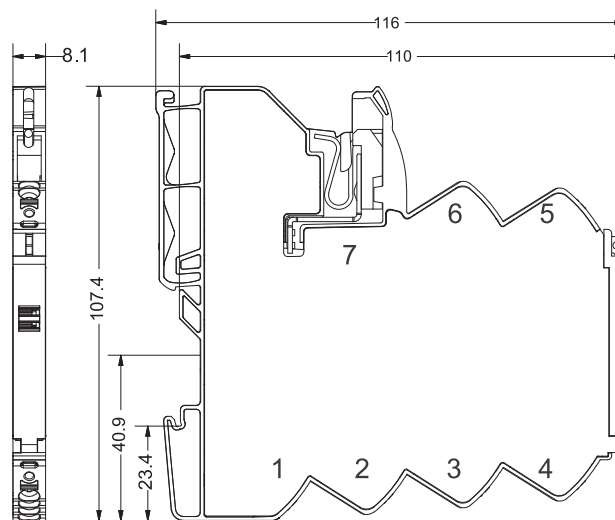
### General ambient conditions

Operation temperature range	-25 °C ... +50 °C
Storage temperature range	-40 °C ... +85 °C
Relative air humidity	10 % – 95 %, without condensation
Vibration resistance	4 g acc. to EN 60068-2-6
Shock resistance	15 g acc. EN 60068-2-27

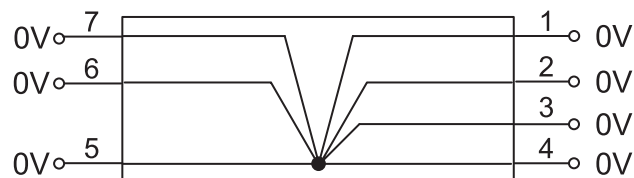
### Certifications/Standards

Certifications	cULus (E135145)
Standards	EN 60947-1 EN 60947-5-1 UL 60947-5-1 DNVGL-CG-0339 Temperature Class D – not certified Humidity Class B – not certified Vibration Class B – not certified Enclosure Class A – not certified

### Dimensions



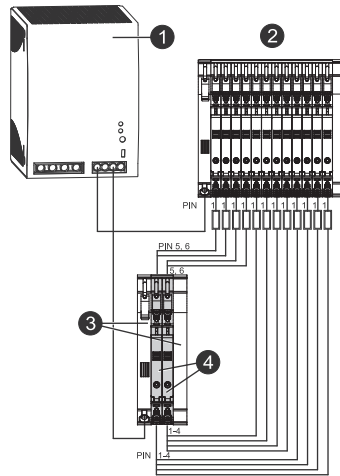
### PIN assignment



# Technical data sheet

## Load monitoring · LOCC-Box Accessories

### Use



**DE** 1 Netzteil  
2 LOCC-Box Module mit Einspeiseset  
3 Einspeiseset mit Stromschiene  
4 Sammelklemme 0 V  
(716420 LOCC-Box-SK 7-6420)

**EN** 1 Power Supply  
2 LOCC-Box Modules with Supply Set  
3 Supply Set with power rail  
4 Collective Terminal 0 V  
(716420 LOCC-Box-SK 7-6420)

**FR** 1 Bloc d'alimentation  
2 LOCC-Box modules avec kit d'alimentation  
3 Kit d'alimentation avec rail électrique  
4 Borne collectrice 0 V  
(716420 LOCC-Box-SK 7-6420)

### Mounting diagram

