

Technical data sheet

Load monitoring · LOCC-Box-ED

Electronic load monitoring up to DC 6 A

Two-channel version; adjustable current range: DC 1 A - 6 A

Fixed characteristic: slow-1



Identification

Type	LOCC-Box-ED I-C3
Part No.	716415.0300

Product version

Hardware revision	2.0
Software version	2.6
Datasheet version	04

Input

Type of function	2-channel 1 pin switching
Rated voltage U_N	DC 12/24 V
Operation voltage range	DC 10–30 V
Rated current I_N	DC 2 × 6 A
Supply current	DC 40 A
Reverse voltage protection	internal electronics
Connection type input	screwless contact slide

Output

Ampacity	DC 2 × 6 A Total current
Switching element	MOSFET
Output current	max. DC 6 A per channel
Voltage drop	max. 115 mV (6 A, per channel)
Status display output	LED green: no error, LED green flashing: 90 % utilisation LED red flashing: triggered, LED red: unit off
Switch-on capacity	10000 μ F

United Kingdom: LÜTZE Ltd.

Unit 3, Sandy Hill Park
Sandy Way, Amington • GB-Tamworth, Staffs B77 4DU
Tel. +44 (0)1827 31333-0 • Fax +44 (0)1827 31333-2
www.lutze.com • sales.gb@lutze.co.uk

Germany: Friedrich Lütze GmbH

Postfach 12 24 (PLZ 71366) • Bruckwiesenstraße 17-19 • D-71384 Weinstadt
Tel. +49 (0)7151 6053-0 • Fax +49 (0)7151 6053-277(-288)
www.luetze.de • info@luetze.de

Technical data sheet

Load monitoring · LOCC-Box-ED

Current range	1 A – 6 A (adjustable via switch in 1 A steps)
Characteristic	slow 1 (3), fixed setting

Signal output

Signal level	DC 12/24 V: operating voltage on standby, no error, DC 0 V: error, output switched off and manual "OFF"
Switching element	Transistor, collector with pull-up resistance

General

Dimensions (w × h × d)	8.1 mm × 107.4 mm × 116.0 mm
Housing material	PA 6.6 (UL 94 V-0, NFF I2, F2)
Color of the housing	RAL 7012 basalt grey
Mounting	DIN rail mountable TS35 (EN 60715)
Installation position	Any
MTBF	690000 h @ 40 °C, 100 operations button, 30 revolutions coding switch
Degree of protection	IP20 (only as complete system with power terminal and end block)
Connection type	Push-In 0.25 mm ² – 2.5 mm ² AWG 24 – AWG 14
Weight/unit	0.07 kg
PU (units)	1

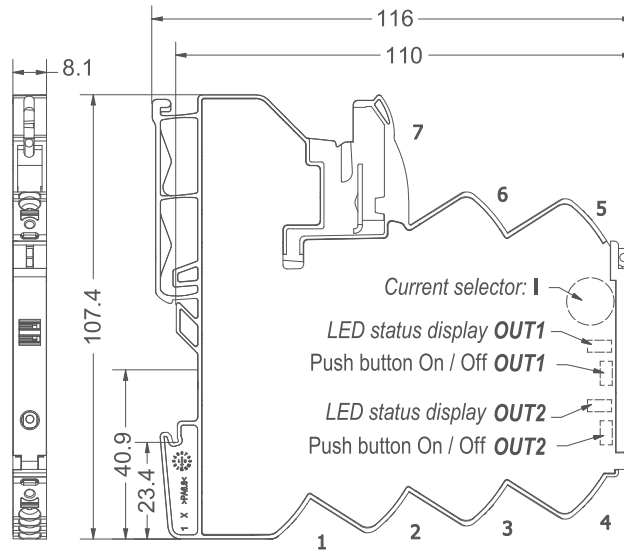
General ambient conditions

Operation temperature range	-25 °C ... +50 °C
Storage temperature range	-40 °C ... +85 °C
Relative air humidity	10 % – 95 %, without condensation
Vibration resistance	4 g acc. to EN 60068-2-6
Shock resistance	15 g acc. EN 60068-2-27

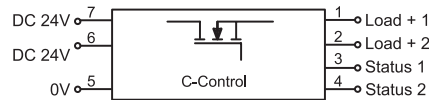
Certifications/Standards

Conformity	CE UKCA
Certifications	cULus (E135145) URus (E490188)
Standards	EN 61000-6-2 EN 61000-6-3 UL 60947-5-1 UL 2367 DNVGL-CG-0339 Humidity Class D – not certified Humidity Class B – not certified Vibration Class B – not certified EMC Class A – not certified Enclosure Class A – not certified

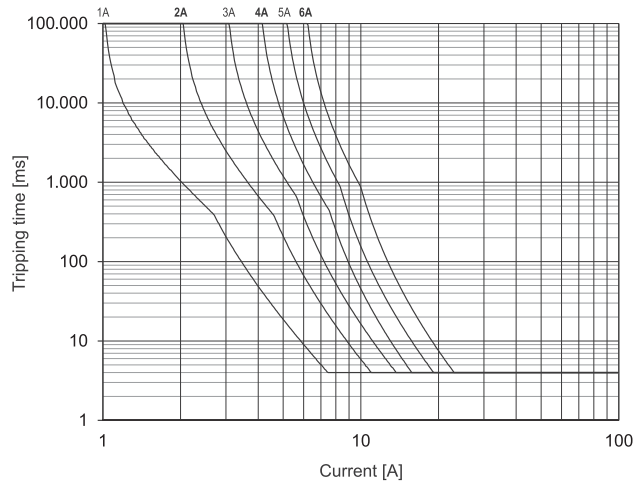
Dimensions



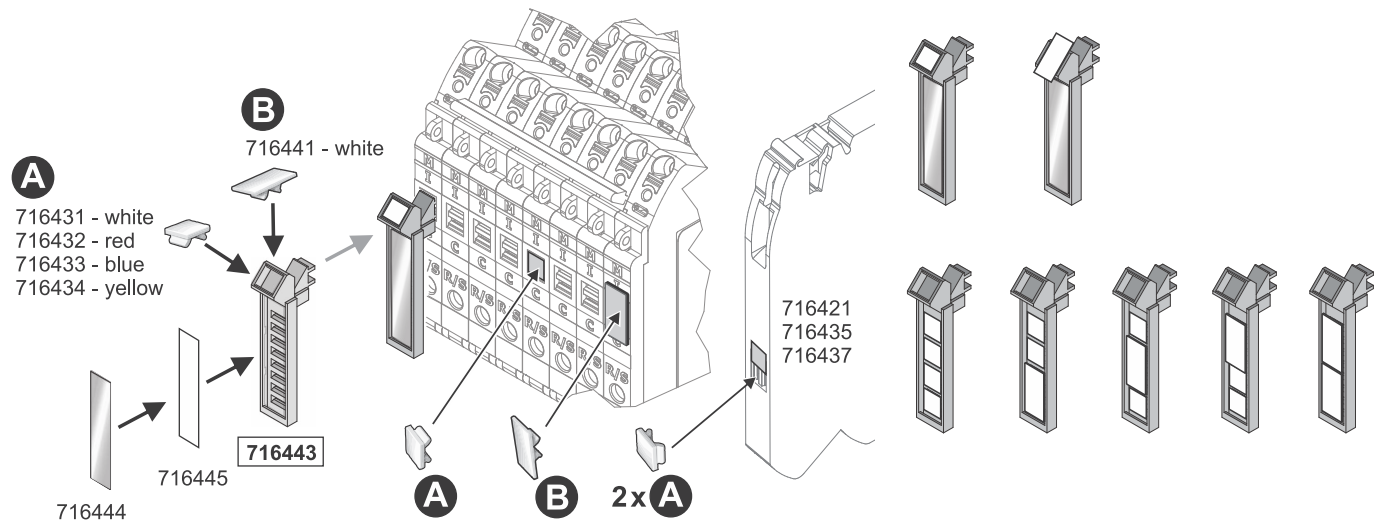
PIN assignment



3: Characteristic slow-1



Use



LED status

LED Status, Button, Rotary Switch

LED green	ON	Function is OK*
LED green, flashing 1 Hz	Overload	Load above 90 % of I nominal
LED green, flashing 5 Hz	Overload	Load above 100 % of I nominal
LED red	OFF	Module switched off or acknowledged*
LED red, flashing 1 Hz	Overload	Output off due to overload/short circuit*
LED red, flashing 5 Hz	Error	Wiring error – feedback (internal error)
LED red, flashing shortly	OFF	Output off via remote set/reset
LED red/green, flashing 1 Hz	ON	Target settings via rotary switch deviate from actual settings. NOTICE: Switching off and on via pushbutton required.
Button ***	ON/OFF	Nominal operation: ON/OFF Load monitoring tripped: 1st push: acknowledge 2nd push: ON
Rotary Switch (I) – Switch Position**	Rated current	

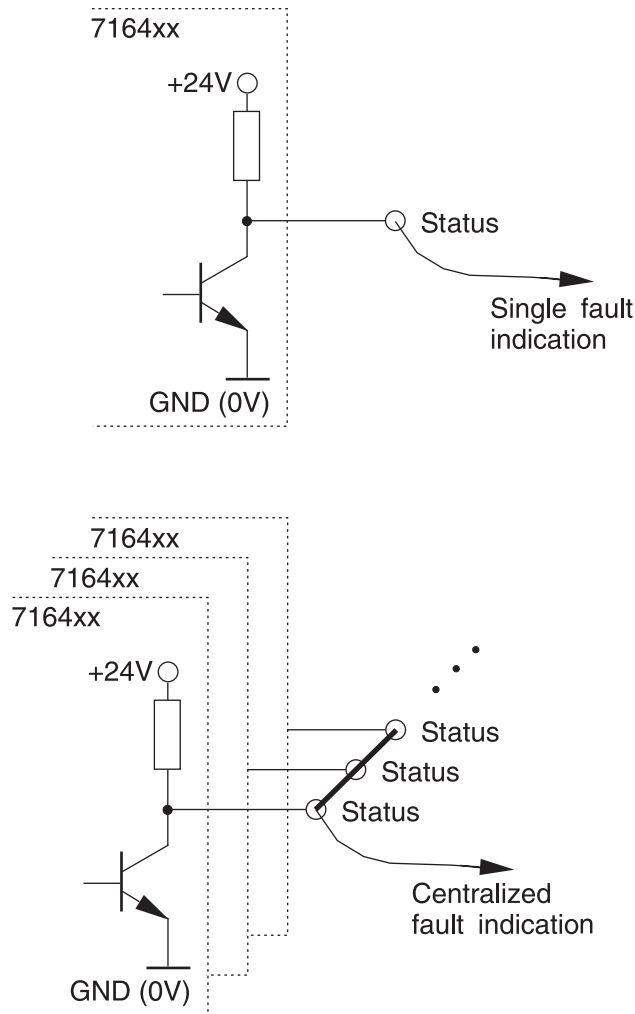
* If the operating voltage is switched off, the last status is saved (Default).

** Accept the setting - after switching on again via the button, not by Remote Set/Reset

*** Master function - switch off via push button, can only be switched on again via push button

For further information see also the operating instructions

Signal output



Mounting diagram

! HINWEIS / NOTICE / AVIS

