

## Technical data sheet

### Load monitoring · LOCC-Box-SC

---

#### Electronic load monitoring up to DC 5 A

Single-channel design, Adjustable current range: DC 1 A – 5 A

Adjustable characteristics, fast, medium-speed, slow 1



---

#### Identification

---

Type LOCC-Box-SC 7-6408  
Part No. [716408](#)

---

#### Product version

---

Hardware revision 2.0  
Software version 2.6  
Datasheet version 02

---

#### Input

---

Type of function 1-channel 1 pin switching  
Rated voltage  $U_N$  DC 12/24 V  
Operation voltage range DC 10–30 V  
Rated current  $I_N$  DC 5 A  
Supply current DC 40 A over Cu-rails 10 × 3 mm  
Reverse voltage protection internal electronics  
Connection type input screwless contact slide

---

#### Control input (Set / Reset)

---

Signal level DC 12/24 V acc. to EN 61131  
OFF Pulse with falling edge >100 ms, <800 ms  
ON Pulse with falling edge > 1 s

---

#### Output

---

Switching element MOSFET

---

#### United Kingdom: LÜTZE Ltd.

Unit 3, Sandy Hill Park  
Sandy Way, Amington • GB-Tamworth, Staffs B77 4DU  
Tel. +44 (0)1827 31333-0 • Fax +44 (0)1827 31333-2  
www.lutze.com • sales.gb@lutze.co.uk

#### Germany: Friedrich Lütze GmbH

Postfach 12 24 (PLZ 71366) • Bruckwiesenstraße 17-19 • D-71384 Weinstadt  
Tel. +49 (0)7151 6053-0 • Fax +49 (0)7151 6053-277(-288)  
www.luetze.de • info@luetze.de

07.10.2022 • Subject to technical modification

Part No. [716408](#) • Datasheet version: 02

page 1 of 5



SYSTEMATIC TECHNOLOGY

## Technical data sheet

### Load monitoring · LOCC-Box-SC

---

Output current	max. DC 5 A
Voltage drop	max. 90 mV (5 A)
Status display output	LED green: operating voltage present, no error LED red: error in load circuit
Switch-on capacity	10000 µF
Current range	1 A – 5 A (adjustable via switch in 1 A steps)
Characteristic	fast (1), medium (2), slow 1 (3) see 'Characteristic curves'

---

#### Signal output

---

Signal level	DC 12/24 V: operating voltage on standby, no error, DC 0 V: error, output switched off and manual "OFF"
Switching element	Transistor, collector with pull-up resistance

---

#### General

---

Dimensions (w × h × d)	8.1 mm × 107.4 mm × 116.0 mm
Housing material	PA 6.6 (UL 94 V-0, NFF I2, F2)
Mounting	DIN rail mountable TS35 (EN 60715)
Installation position	Any
MTBF	690000 h
Degree of protection	IP20 (only as complete system with power terminal and end block)
Connection type	Push-In 0.25 mm <sup>2</sup> – 2.5 mm <sup>2</sup> AWG 24 – AWG 14
Weight/unit	0.07 kg
PU (units)	1

---

#### General ambient conditions

---

Operation temperature range	-25 °C ... +50 °C
Storage temperature range	-40 °C ... +85 °C
Relative air humidity	10 % – 95 %, without condensation
Vibration resistance	4 g acc. to EN 60068-2-6
Shock resistance	15 g acc. EN 60068-2-27

---

#### Certifications/Standards

---

Conformity	CE UKCA
Certifications	cULus (E135145) URus (E490188)

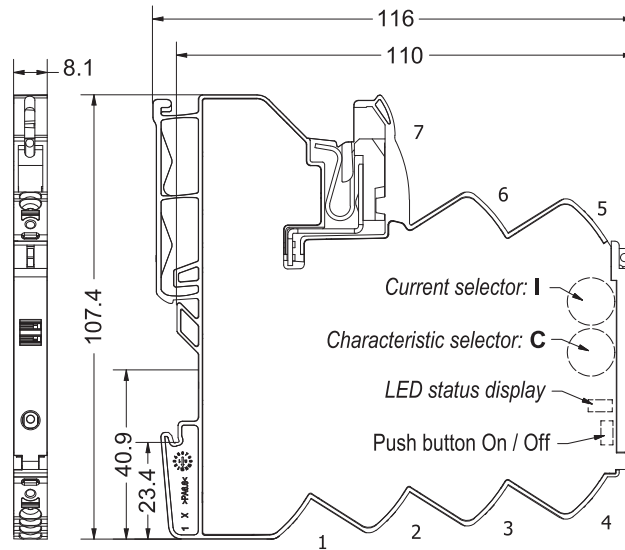
# Technical data sheet

## Load monitoring · LOCC-Box-SC

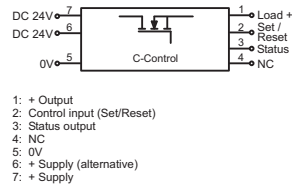
### Standards

EN 61000-6-2  
EN 61000-6-3  
UL 60947-5-1  
UL 2367  
DNVGL-CG-0339  
Temperature Class D – not certified  
Humidity Class B – not certified  
Vibration Class B – not certified  
EMC Class A – not certified  
Enclosure Class A – not certified

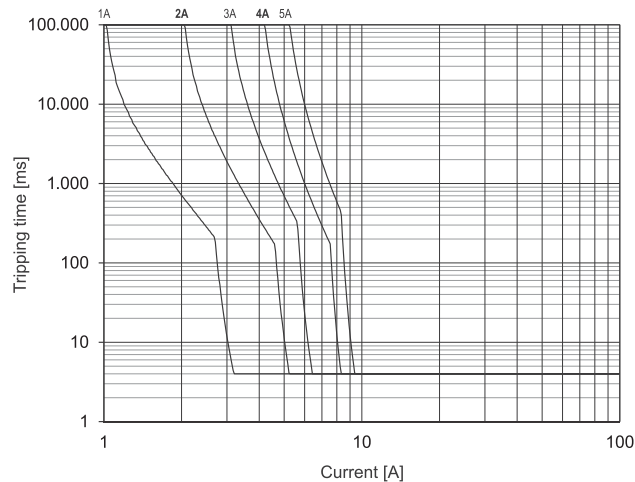
### Dimensions



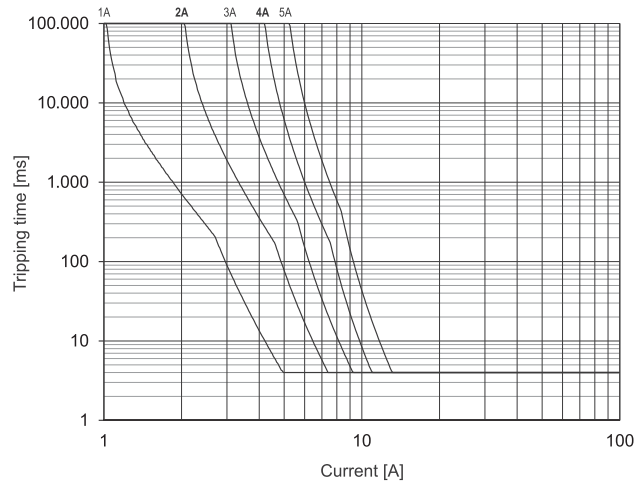
### PIN assignment



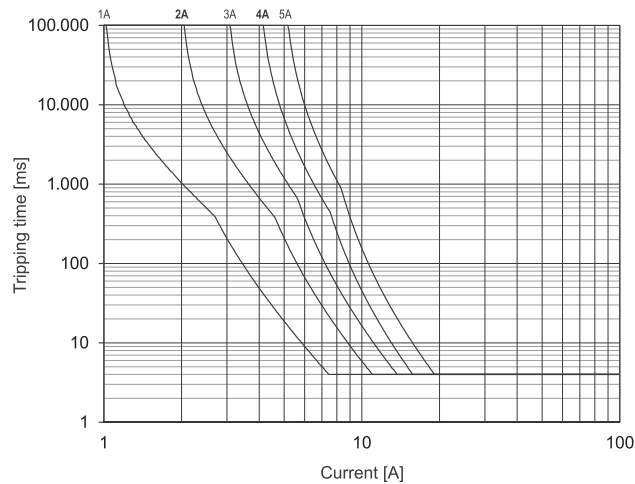
### 1: Characteristic fast



## 2: Characteristic medium



## 3: Characteristic slow-1



## LED status

### LED Status, Button, Rotary Switch

LED green	ON	Function is OK*
LED green, flashing 1 Hz	Overload	Load above 90 % of I nominal
LED green, flashing 5 Hz	Overload	Load above 100 % of I nominal
LED red	OFF	Module switched off or acknowledged*
LED red, flashing 1 Hz	Overload	Output off due to overload/short circuit*
LED red, flashing 5 Hz	Error	Wiring error – feedback (internal error)
LED red, flashing shortly	OFF	Output off via remote set/reset
LED red/green, flashing 1 Hz	ON	Target settings via rotary switch deviate from actual settings. <b>NOTICE: Switching off and on via pushbutton required.</b>
Button ***	ON/OFF	Nominal operation: ON/OFF Load monitoring tripped: 1st push: acknowledge 2nd push: ON
Rotary Switch (I) – Switch Position**		Rated current, see page 4.
Rotary Switch (C) – Switch Position**		Characteristic: 1: fast 2: middle 3: slow-1 4: slow-2 5: slow-3

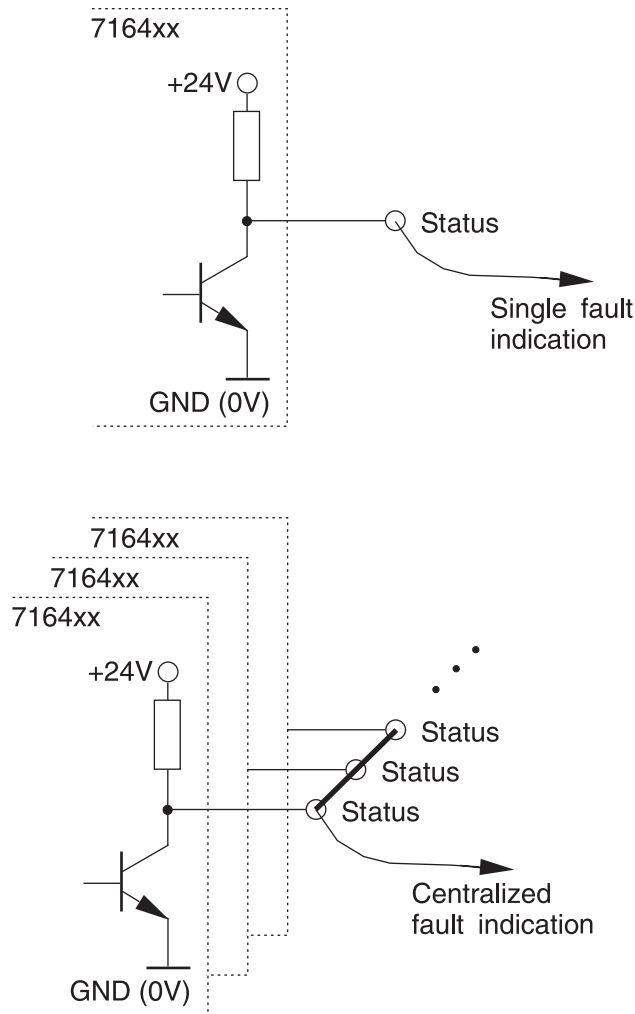
\* If the operating voltage is switched off, the last status is saved (Default).

\*\* Accept the setting - after switching on again via the button, not by Remote Set/Reset

\*\*\* Master function - switch off via push button, can only be switched on again via push button

For further information see also the operating instructions

Signal output



Mounting diagram

**! HINWEIS / NOTICE / AVIS**

