

Technical data sheet

Actuator sensor interface · RJ45 panel connector with hinged lid

RJ45 panel connector for front installation 22.5 mm, shield connected through female/female 1:1
Cat 5e



Identification

Type RJ45 F/F 8/8 Cat.5e KD
Part No. [492078](#)

Product version

Datasheet version 00

General

| | |
|--------------------------------|---|
| Design | RJ45 |
| Form male 1 | RJ45 |
| Degree of pollution | 3 |
| Insulation resistance | >100 M Ω |
| Contact resistance | <30 m Ω |
| Flamability according to UL 94 | V0 |
| Degree of protection | IP65/67/68/69 in closed and IP20 in inserted position |
| Housing material | PA, PBT |
| Cover | PC |
| Contact material | CuSn, gold-plated |
| Mounting | Front installation |
| Installation depth | approx. 70 mm |
| Operation temperature range | -25 °C ... +70 °C |
| Storage temperature range | -25 °C ... +80 °C |
| Temperature range connector | -25 °C ... +70 °C |
| Dimensions (w × h × d) | 30.0 mm × 35.0 mm × 44.5 mm |
| Mechanical service life | >750 insertion cycles |
| Weight/unit | 0.02 kg |

United Kingdom: LÜTZE Ltd.

Unit 3, Sandy Hill Park
Sandy Way, Amington · GB-Tamworth, Staffs B77 4DU
Tel. +44 (0)1827 31333-0 · Fax +44 (0)1827 31333-2
www.lutze.com · sales.gb@lutze.co.uk

Germany: Friedrich Lütze GmbH

Postfach 12 24 (PLZ 71366) · Bruckwiesenstraße 17-19 · D-71384 Weinstadt
Tel. +49 (0)7151 6053-0 · Fax +49 (0)7151 6053-277(-288)
www.luetze.de · info@luetze.de

11.01.2024 · Subject to technical modification

Part No. [492078](#) · Datasheet version: 00

page 1 of 4



SYSTEMATIC TECHNOLOGY

Technical data sheet

Actuator sensor interface · RJ45 panel connector with hinged lid

PU (units) 1

Technical data

| | |
|---------------------|-------------------|
| Rated voltage U_N | AC 24 V |
| Rated voltage max. | 50 V |
| Rated current | 1.5 A |
| Pole number | 8 |
| Bandwidth | 100 MHz |
| Transfer rate | 1 Gbit/s |
| Category | Cat.5e |
| Contact type | 1 : 1 |
| Shielding | connected through |

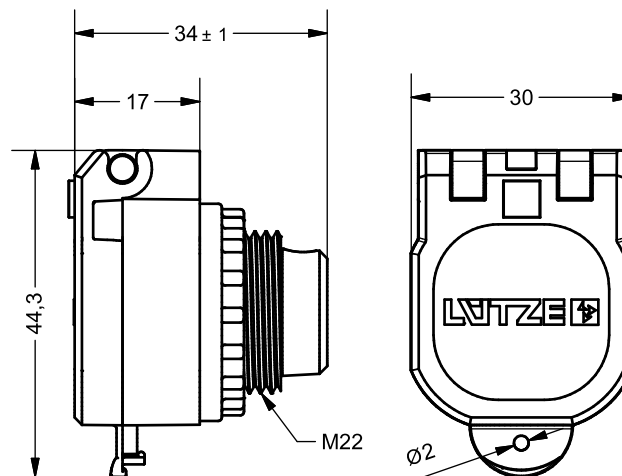
Equipment/Spare parts

Accessories

Not included in the delivery:

Labelling sign 5×5 mm, white: Part.-No. 716431 | LOCC-Box-BZW 7-6431 |
PU: 1 unit (200 tabs)

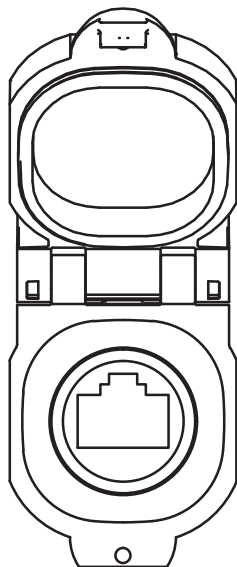
Dimensions



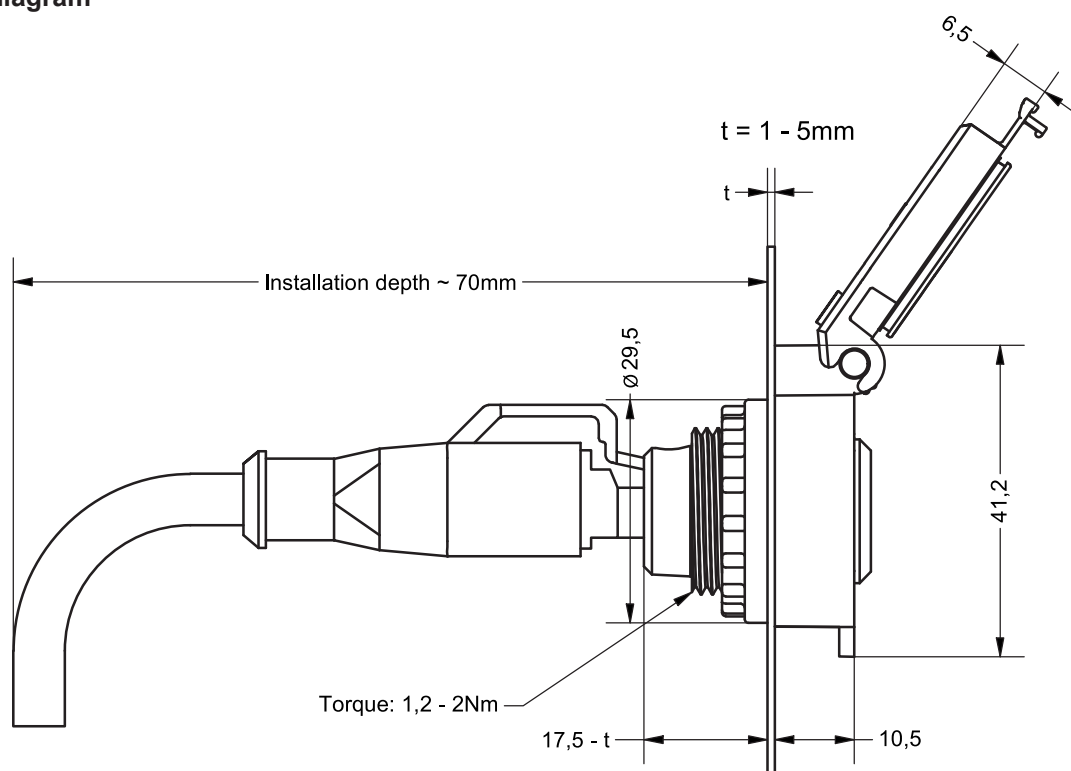
Technical data sheet

Actuator sensor interface · RJ45 panel connector with hinged lid

Front view



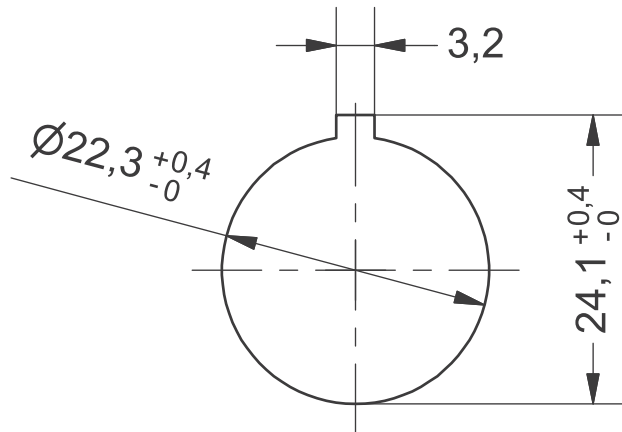
Mounting diagram



Technical data sheet

Actuator sensor interface · RJ45 panel connector with hinged lid

Mounting holes



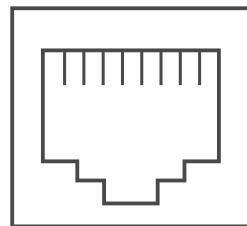
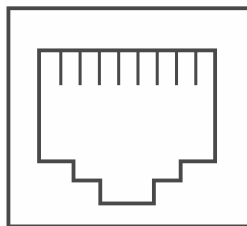
Pin layout

RJ45 female

RJ45 female

1 2 3 4 5 6 7 8

1 2 3 4 5 6 7 8



Circuit diagram

