

## Technical data sheet

Actuator sensor interface · RJ45 panel connector with hinged lid

---

**RJ45 panel connector for front installation 22.5 mm, shielded  
female/female 1:1  
Cat 6A**



---

### Identification

---

Type RJ45 F/F 8/8 Cat.6A KD  
Part No. [492077](#)

---

### Product version

---

Datasheet version 00

---

### General

---

Design	RJ45
Form male 1	RJ45
Degree of pollution	3
Insulation resistance	>100 MΩ
Contact resistance	<30 mΩ
Flamability according to UL 94	V0
Degree of protection	IP65/67/68/69 in closed and IP20 in inserted position
Housing material	PA, PBT
Cover	PC
Contact material	CuSn, gold-plated
Mounting	Front installation
Installation depth	approx.70 mm
Operation temperature range	-25 °C ... +70 °C
Storage temperature range	-25 °C ... +80 °C
Temperature range connector	-25 °C ... +70 °C
Dimensions (w × h × d)	30.0 mm × 35.0 mm × 44.5 mm
Mechanical service life	>750 insertion cycles
Weight/unit	0.038 kg

---

#### United Kingdom: LÜTZE Ltd.

Unit 3, Sandy Hill Park  
Sandy Way, Amington · GB-Tamworth, Staffs B77 4DU  
Tel. +44 (0)1827 31333-0 · Fax +44 (0)1827 31333-2  
[www.lutze.com](http://www.lutze.com) · [sales.gb@lutze.co.uk](mailto:sales.gb@lutze.co.uk)

#### Germany: Friedrich Lütze GmbH

Postfach 12 24 (PLZ 71366) · Bruckwiesenstraße 17-19 · D-71384 Weinstadt  
Tel. +49 (0)7151 6053-0 · Fax +49 (0)7151 6053-277(-288)  
[www.luetze.de](http://www.luetze.de) · [info@luetze.de](mailto:info@luetze.de)

11.01.2024 · Subject to technical modification

Part No. [492077](#) · Datasheet version: 00

page 1 of 4



SYSTEMATIC TECHNOLOGY

## Technical data sheet

Actuator sensor interface · RJ45 panel connector with hinged lid

---

PU (units) 1

---

### Technical data

---

Rated voltage $U_N$	AC 24 V
Rated voltage max.	50 V
Rated current	1.5 A
Pole number	8
Bandwidth	500 MHz
Transfer rate	10 Gbit/s
Category	Cat.6 <sub>A</sub>
Contact type	1 : 1
Shielding	connected through

---

### Equipment/Spare parts

---

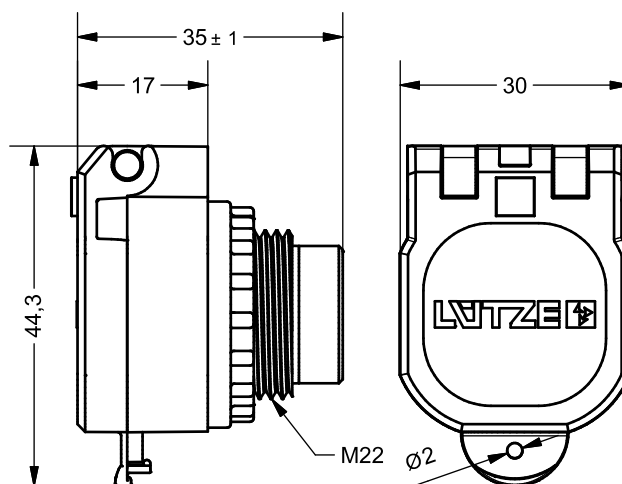
#### Accessories

Not included in the delivery:

**Labelling sign 5×5 mm, white:** Part.-No. 716431 | LOCC-Box-BZW 7-6431 |  
PU: 1 unit (200 tabs)

---

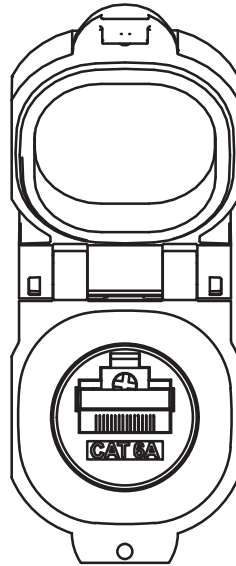
### Dimensions



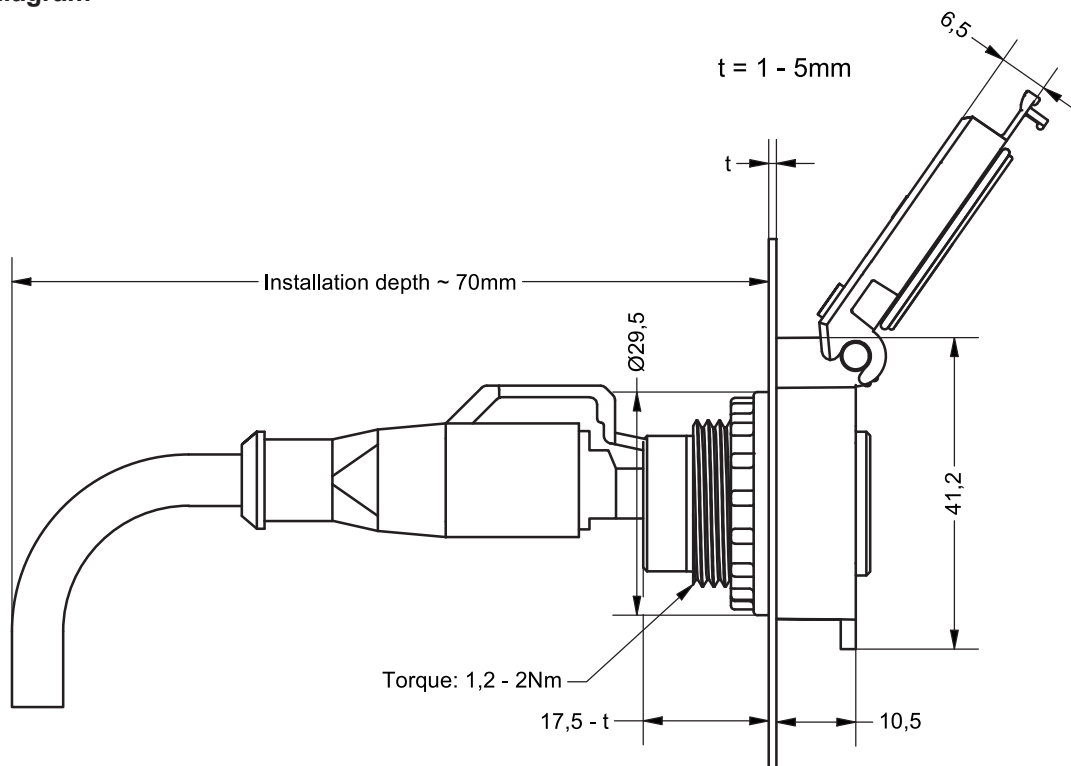
# Technical data sheet

Actuator sensor interface · RJ45 panel connector with hinged lid

## Front view



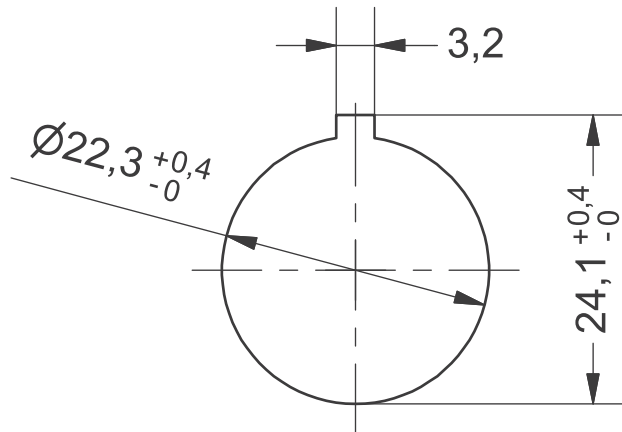
## Mounting diagram



# Technical data sheet

Actuator sensor interface · RJ45 panel connector with hinged lid

## Mounting holes



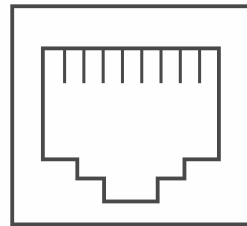
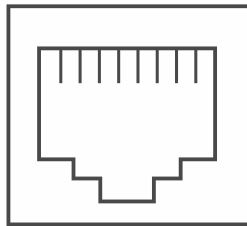
## Pin layout

RJ45 female

RJ45 female

1 2 3 4 5 6 7 8

1 2 3 4 5 6 7 8



## Circuit diagram

