

Technical data sheet

Actuator sensor interface · RJ45 Panel pass through devices

**RJ45 panel connector for front installation 22.5 mm
female/female 1:1
Cat.6A**



Identification

Type RJ45 F/F 8/8 Cat.6A
Part No. [492076](#)

Product version

Datasheet version 00

General

Design	RJ45
Form male 1	RJ45
Degree of pollution	3
Insulation resistance	>100 MΩ
Contact resistance	<30 mΩ
Degree of protection	IP65 UL50E Typ 2, 3R, 4, 4X, 12, 13 in closed and IP20 in inserted position
Housing material	PA, PBT
Cover	TPU
Contact material	CuSn, gold-plated
Mounting	Front installation
Installation depth	approx.70 mm
Number of conductors/cross-section	8×2
Operation temperature range	-25 °C ... +70 °C
Storage temperature range	-25 °C ... +80 °C
Temperature range connector	-25 °C ... +70 °C
Dimensions (Ø×d)	30 × 30 mm
Mechanical service life	>750 insertion cycles
Weight/unit	0.034 kg

United Kingdom: LÜTZE Ltd.

Unit 3, Sandy Hill Park
Sandy Way, Amington · GB-Tamworth, Staffs B77 4DU
Tel. +44 (0)1827 31333-0 · Fax +44 (0)1827 31333-2
www.lutze.com · sales.gb@lutze.co.uk

Germany: Friedrich Lütze GmbH

Postfach 12 24 (PLZ 71366) · Bruckwiesenstraße 17-19 · D-71384 Weinstadt
Tel. +49 (0)7151 6053-0 · Fax +49 (0)7151 6053-277(-288)
www.luetze.de · info@luetze.de

26.07.2023 · Subject to technical modification

Part No. [492076](#) · Datasheet version: 00

page 1 of 3



SYSTEMATIC TECHNOLOGY

Technical data sheet

Actuator sensor interface · RJ45 Panel pass through devices

PU (units) 1

Technical data

Rated voltage U_N	AC 24 V
Operating voltage max.	50 V
Rated current	1.5 A
Pole number	8
Bandwidth	500 MHz
Transfer rate	10 Gbit/s
Category	Cat.6 _A
Contact type	1 : 1
Shielding	connected through

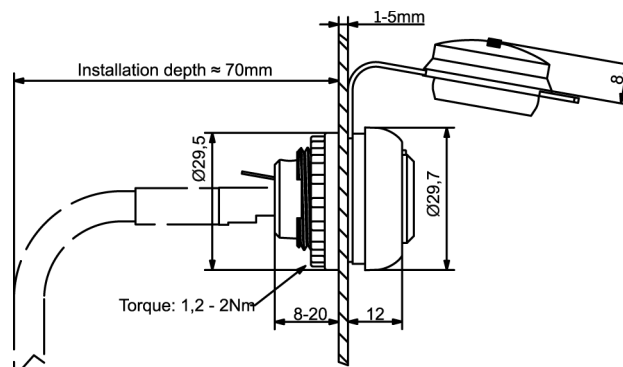
Certifications/Standards

Certifications cULus Listed (E326112)

Equipment/Spare parts

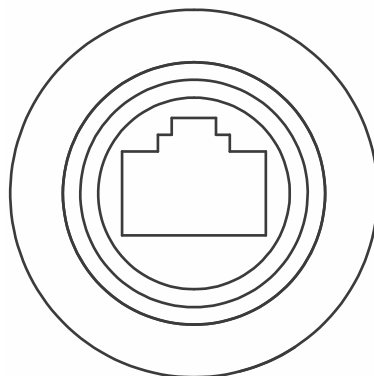
Accessories Included in the delivery:
attached safety cap

Dimensions



Front view

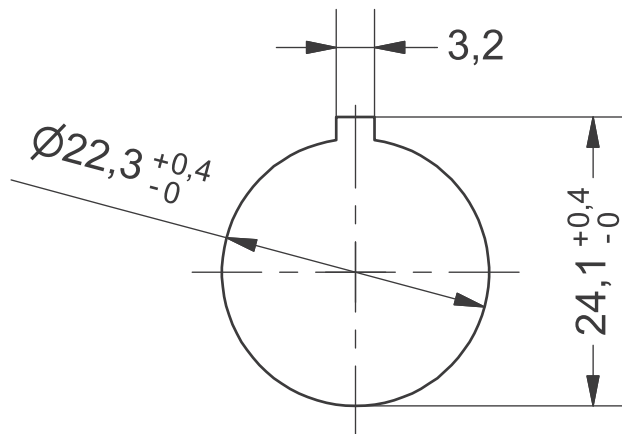
front view



Technical data sheet

Actuator sensor interface · RJ45 Panel pass through devices

Mounting holes



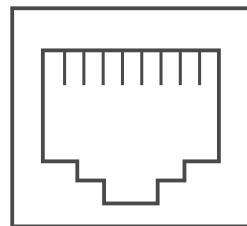
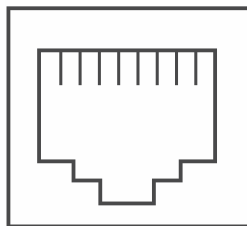
Pin layout

RJ45 female

RJ45 female

1 2 3 4 5 6 7 8

1 2 3 4 5 6 7 8



Circuit diagram

