

## Technical data sheet

Actuator sensor interface · RJ45 Panel pass through devices

---

### RJ45 panel connector with M22 thread for front installation

Female/female 1:1

Cat 5e



---

#### Identification

---

Type RJ45 F/F 8/8 Cat.5e  
Part No. [492075](#)

---

#### Product version

---

Datasheet version 00

---

#### General

---

Design	RJ45
Form male 1	RJ45
Degree of pollution	3
Insulation resistance	>100 MΩ
Contact resistance	<30 mΩ
Degree of protection	IP65 UL50E Typ 2, 3R, 4, 4X, 12, 13 in closed and IP20 in inserted position
Housing material	PA, PBT
Cover	TPU
Contact material	CuSn, gold-plated
Mounting	Front installation
Installation depth	approx.70 mm
Number of conductors/cross-section	8×2
Operation temperature range	-25 °C ... +70 °C
Storage temperature range	-25 °C ... +80 °C
Temperature range connector	-25 °C ... +70 °C
Dimensions (Ø×d)	30 × 30 mm
Mechanical service life	>750 insertion cycles
Weight/unit	0.014 kg

---

#### United Kingdom: LÜTZE Ltd.

Unit 3, Sandy Hill Park  
Sandy Way, Amington · GB-Tamworth, Staffs B77 4DU  
Tel. +44 (0)1827 31333-0 · Fax +44 (0)1827 31333-2  
[www.lutze.com](http://www.lutze.com) · [sales.gb@lutze.co.uk](mailto:sales.gb@lutze.co.uk)

#### Germany: Friedrich Lütze GmbH

Postfach 12 24 (PLZ 71366) · Bruckwiesenstraße 17-19 · D-71384 Weinstadt  
Tel. +49 (0)7151 6053-0 · Fax +49 (0)7151 6053-277(-288)  
[www.luetze.de](http://www.luetze.de) · [info@luetze.de](mailto:info@luetze.de)

26.07.2023 · Subject to technical modification

Part No. [492075](#) · Datasheet version: 00

page 1 of 4



SYSTEMATIC TECHNOLOGY

## Technical data sheet

### Actuator sensor interface · RJ45 Panel pass through devices

PU (units) 1

#### Technical data

Rated voltage $U_N$	AC 24 V
Operating voltage max.	50 V
Rated current	1.5 A
Pole number	8
Bandwidth	100 MHz
Transfer rate	1 Gbit/s
Category	Cat.5e
Contact type	1 : 1
Shielding	connected through

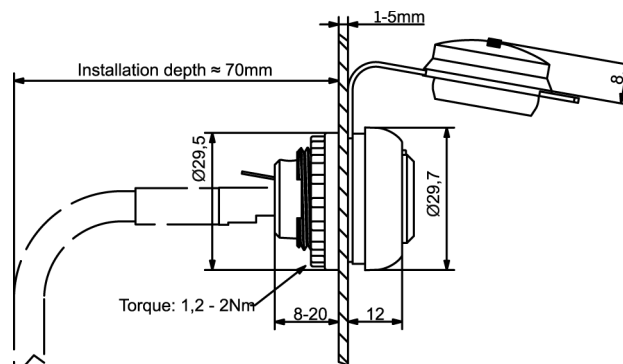
#### Certifications/Standards

Certifications cULus Listed (E326112)

#### Equipment/Spare parts

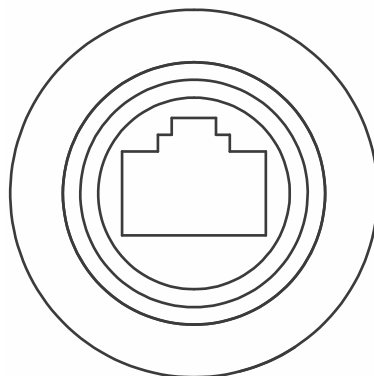
**Accessories** Included in the delivery:  
attached safety cap

#### Dimensions



#### Front view

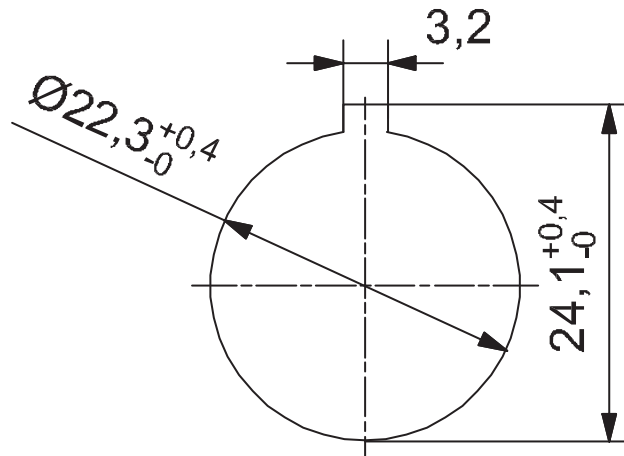
front view



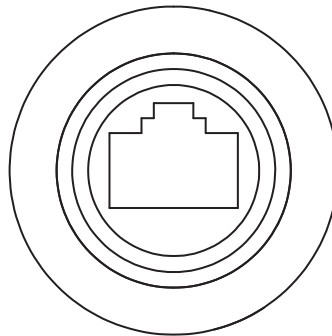
# Technical data sheet

Actuator sensor interface · RJ45 Panel pass through devices

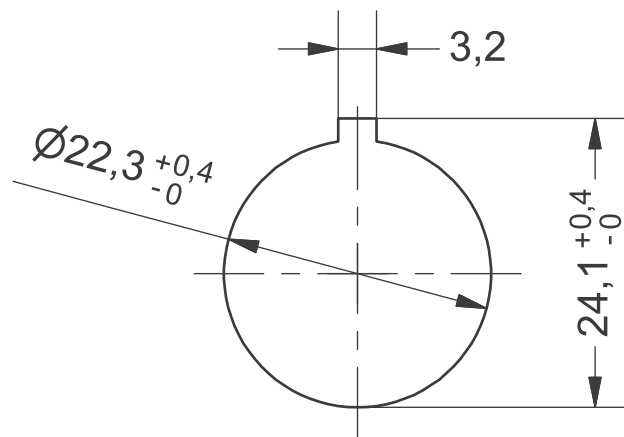
## Mounting diagram



front view:



## Mounting holes



# Technical data sheet

## Actuator sensor interface · RJ45 Panel pass through devices

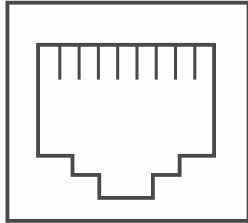
---

### Pin layout

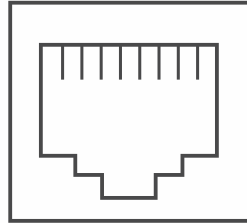
RJ45 female

RJ45 female

1 2 3 4 5 6 7 8



1 2 3 4 5 6 7 8



### Circuit diagram

