

Technical data sheet

Actuator sensor interface

Module holder, RJ45, female / IDC
For TS35 DIN rail
Cat.6A



Identification

Type MDT-RJ45 F 8pol. Cat.6A TIA 568B
Part No. [490209](#)

Product version

Datasheet version 01

General

Design	RJ45 female
Degree of pollution	1
Insulation resistance	>500 M Ω
Contact resistance	<20 m Ω
Flamability according to UL 94	V0
Degree of protection	IP20 (EN 60529)
Housing material	PC
Color of the housing	grey
Contact material	CuSn, gold-plated
Strand diameter	0.9 mm – 1.6 mm
Cable diameter	max.9 mm
Operation temperature range	-40 °C ... +70 °C
Storage temperature range	-40 °C ... +70 °C
Dimensions (w × h × d)	18.0 mm × 70.5 mm × 65.7 mm
Mechanical service life	>750 insertion cycles
Cross-section, metric	0.14–0.75 mm ²
Cross-section AWG	27-22/7, 26-22/1

United Kingdom: LÜTZE Ltd.

Unit 3, Sandy Hill Park
Sandy Way, Amington • GB-Tamworth, Staffs B77 4DU
Tel. +44 (0)1827 31333-0 • Fax +44 (0)1827 31333-2
www.lutze.com • sales.gb@lutze.co.uk

Germany: Friedrich Lütze GmbH

Postfach 12 24 (PLZ 71366) • Bruckwiesenstraße 17-19 • D-71384 Weinstadt
Tel. +49 (0)7151 6053-0 • Fax +49 (0)7151 6053-277(-288)
www.luetze.de • info@luetze.de

28.06.2023 • Subject to technical modification

Part No. [490209](#) • Datasheet version: 01

page 1 of 5

Technical data sheet

Actuator sensor interface

Connection type	Compliant terminal
Weight/unit	0.053 kg
PU (units)	1

Technical data

Rated voltage U_N	AC/DC 24 V
Max. Power PoE	90 W The following standards for PoE are met: IEEE 802.3af (PoE) IEEE 802.3at (PoE+)
Operating voltage max.	50 V
Rated current	≤1 A per contact
Pole number	8
Bandwidth	500 MHz
Transfer rate	10 Gbit/s
Category	Cat.6 _A
Contact type	IDC
Shielding	shielded

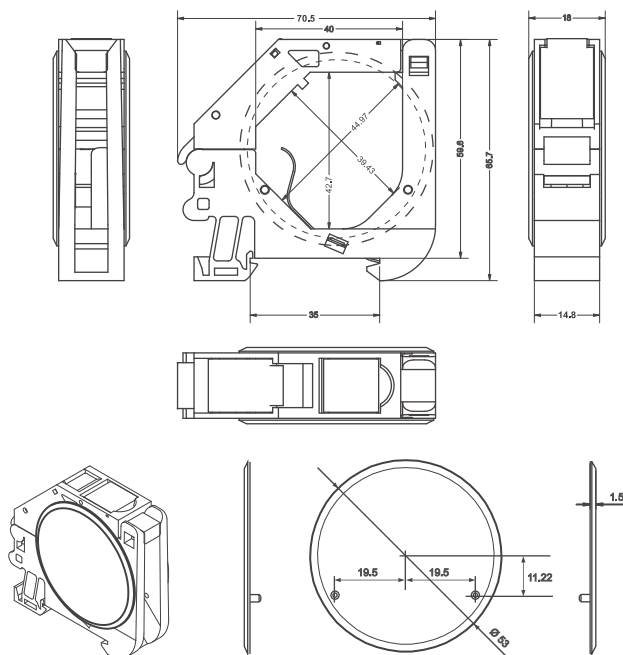
Certifications/Standards

Certifications	cULus Listed (E326112)
Standards	DIN EN 50173-1 Generic cabling systems UL 1863 UL Standard: Communications-Circuit Accessories IEC 60603-7-51 Cat.6 _A , Class E _A acc. ISO/IEC 11801 IEEE 802.3.1:2013 IEEE 802.3:2018 IEEE 802.3bt:2018

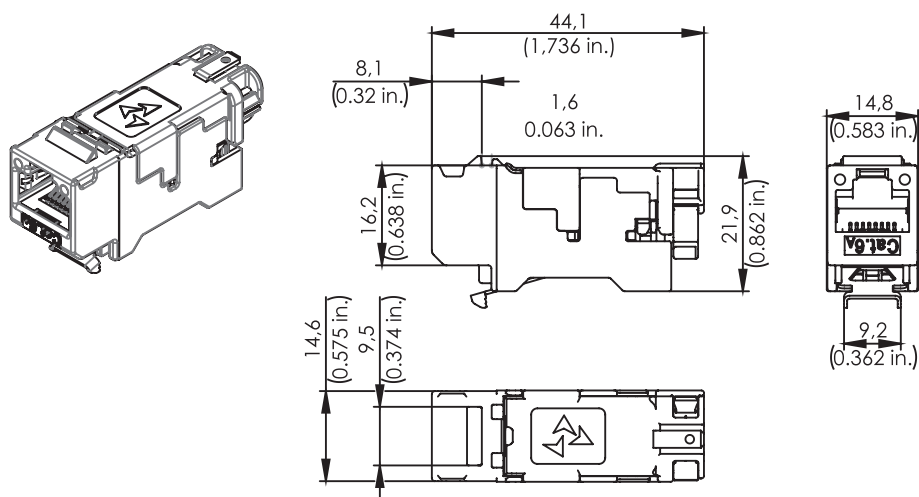
Notes and Comments

Comments	Suitable cables, see overview assignment Ethernet cables to connectors
----------	--

Dimensions



Dimensions



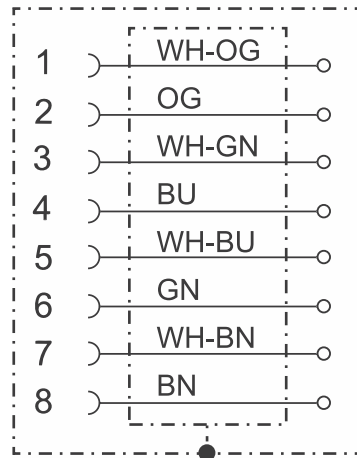
Connection assignment

RJ45

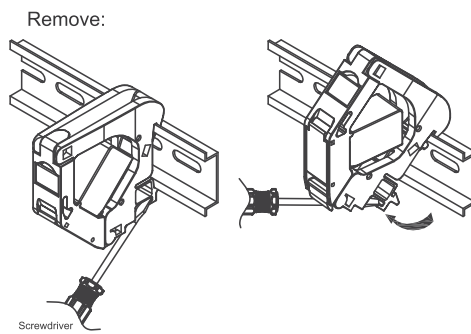
	TIA 568A	TIA 568 B	Profinet
1	WHGN	WHOG	YE
2	GN	OG	OG
3	WHOG	WHGN	WH
4	BU	BU	-
5	WHBU	WHBU	-
6	OG	GN	BU
7	WHBR	WHBR	-
8	BR	BR	-

PIN assignment

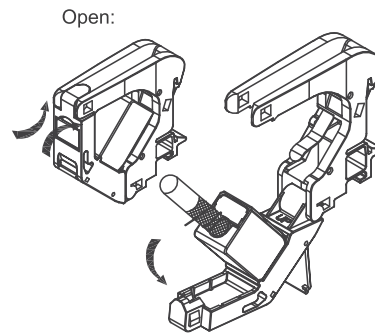
RJ45 female
Ethernet T568B



Use

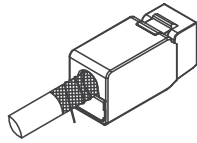


Insert a screwdriver into the opening at the bottom of the module and use it as a lever to pull out the module.

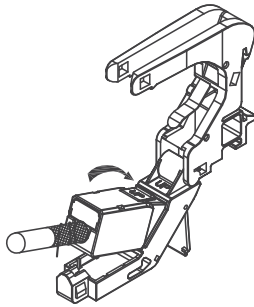


Use screwdrivers or fingers to open the poles at the top of the module.

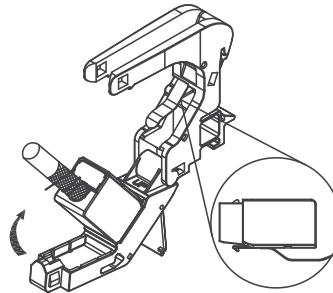
Mounting diagram



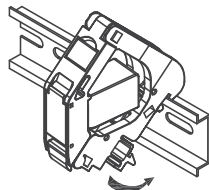
Step 1:
Properly terminate
a screened keystone
jack with screened
cable for DIN RAIL
grounding connection.



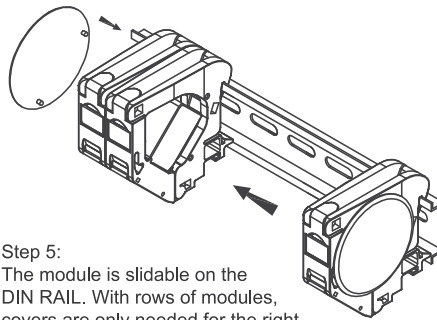
Step 2:
Insert the keystone jack
into DIN RAIL module,
make sure the jack latch
facing up.



Step 3:
Lock the module and
make sure the grounding
spring contacts the jack
to ensure grounding
connection.



Step 4:
Insert the DIN RAIL module
at the top and rotate to click.



Step 5:
The module is slidable on the
DIN RAIL. With rows of modules,
covers are only needed for the right
and left ends of the row.