

Technical data sheet

Actuator sensor interface · RJ45 connector

Industrial connector RJ45

Solid metal housing, quick-connect technology AWG 24–22

Cat.6A, protective cover pre-assembled



Identification

Type	RJ45-M 8pol. Cat.6A T568B
Part No.	490174

Product version

Datasheet version	00
-------------------	----

General

Design	RJ45
Form male 1	RJ45 straight shielded
Degree of pollution	1
Insulation resistance	>500 MΩ
Contact resistance	<20 mΩ
Flamability according to UL 94	V0
Degree of protection	IP20
Housing material	Zinc die-casting
Color of the housing	silver
Color	silver
Cover	PBT black
Contact material	Spring steel gold-plated
Strand diameter	1 mm – 1.6 mm
Cable diameter	5.5 mm – 10 mm
Operation temperature range	-40 °C ... +85 °C
Storage temperature range	-40 °C ... +85 °C
Dimensions (w × h × d)	13.9 mm × 16.3 mm × 53.8 mm
Mechanical service life	>750 insertion cycles

United Kingdom: LÜTZE Ltd.

Unit 3, Sandy Hill Park
Sandy Way, Amington · GB-Tamworth, Staffs B77 4DU
Tel. +44 (0)1827 31333-0 · Fax +44 (0)1827 31333-2
www.lutze.com · sales.gb@lutze.co.uk

Germany: Friedrich Lütze GmbH

Postfach 12 24 (PLZ 71366) · Bruckwiesenstraße 17-19 · D-71384 Weinstadt
Tel. +49 (0)7151 6053-0 · Fax +49 (0)7151 6053-277(-288)
www.luetze.de · info@luetze.de

12.01.2024 · Subject to technical modification

Part No. [490174](#) · Datasheet version: 00

page 1 of 3



SYSTEMATIC TECHNOLOGY

Technical data sheet

Actuator sensor interface · RJ45 connector

Cross-section AWG	24-22/1, 24-22/7,19
Connection type	8-pin RJ45 Push-through contacts IDC
Weight/unit	0.025 kg
PU (units)	1

Technical data

Rated voltage U_N	30 V
Rated current	≤ 1 A per contact
Pole number	8
Bandwidth	500 MHz
Transfer rate	10 Gbit/s
Category	Cat.6 _A
Shielding	shielded

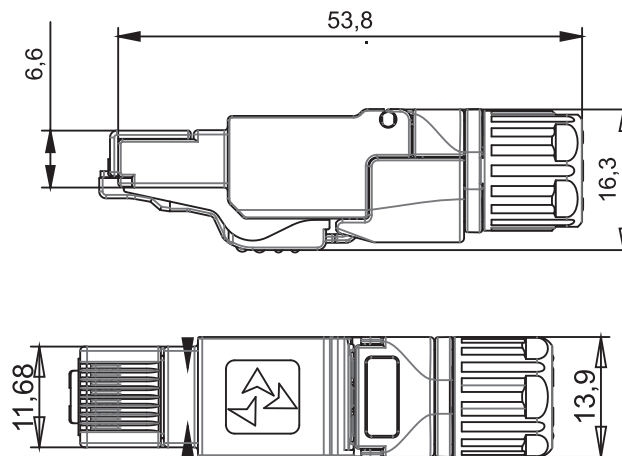
Certifications/Standards

Certifications	cULus Listed (E326112)
Standards	IEC 60603-7-51

Notes and Comments

Comments	Suitable for Profinet, SERCOS3, Ethercat, Ethernet/IP, Powerlink, VARAN, Power over Ethernet+ (PoE+IEEE 802.3at) Suitable cables, see overview assignment Ethernet cables to connectors
----------	---

Dimensions

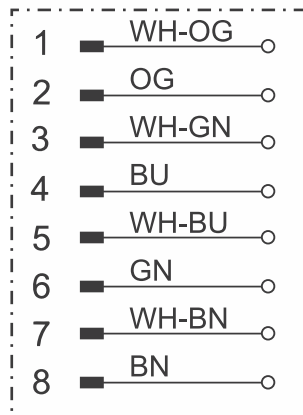


Technical data sheet

Actuator sensor interface · RJ45 connector

Connection assignment

RJ45 male
Ethernet T568B



Mounting diagram

