

Technical data sheet

Actuator sensor interface · M12 - connector

Field wireable connector, M12 straight shielded
Male - X coded Cat.6_A (Ethernet, Profinet)
Fast connection method, IDC termination



Identification

Type	STGK8-M12(C) 8pol. X-kod. Cat.6A
Part No.	490167

Product version

Datasheet version	00
-------------------	----

General

Design	M 12
Form male 1	M 12
Degree of pollution	3
Insulation resistance	>100 M Ω
Contact resistance	\leq 5 m Ω
Flamability according to UL 94	V0
Degree of protection	IP65/67
Housing material	Zinc die-casting
Contact material	CuSn, gold-plated
Material sealing ring	NBR
Cable diameter	5 mm – 9.7 mm
Storage temperature range	-40 °C ... +85 °C
Temperature range connector	-40 °C ... +85 °C
Mechanical service life	>100 insertion cycles
Cross-section AWG	26-22
Connection type	Compliant terminal IDC
Weight/unit	0.043 kg

United Kingdom: LÜTZE Ltd.

Unit 3, Sandy Hill Park
Sandy Way, Amington • GB-Tamworth, Staffs B77 4DU
Tel. +44 (0)1827 31333-0 • Fax +44 (0)1827 31333-2
www.lutze.com • sales.gb@lutze.co.uk

Germany: Friedrich Lütze GmbH

Postfach 12 24 (PLZ 71366) • Bruckwiesenstraße 17-19 • D-71384 Weinstadt
Tel. +49 (0)7151 6053-0 • Fax +49 (0)7151 6053-277(-288)
www.luetze.de • info@luetze.de

29.04.2022 • Subject to technical modification

Part No. [490167](#) • Datasheet version: 00

page 1 of 3



SYSTEMATIC TECHNOLOGY

Technical data sheet

Actuator sensor interface · M12 - connector

PU (units) 1

Technical data

Rated voltage U_N	AC/DC 24 V
Operating voltage max.	60 V
Rated current	0.5 A
Pole number	8
Category	Cat.6 _A
Coding	X
Shielding	360°

Equipment/Spare parts

Accessories

matching cables:

104338 | EL BUS(C)PVC ET(4×(2×AWG26/7)St)C Cat.6A | Jacket material: PVC

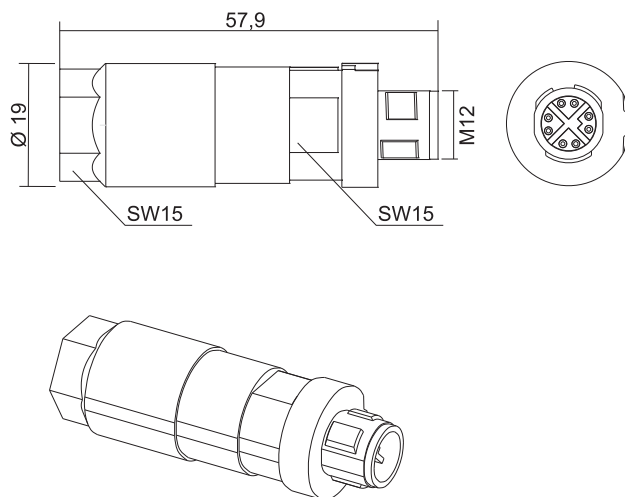
104331 | EL ET BUS(C)PVC PIMF (4×(2×AWG26/7)) GN | Jacket material: PVC

104347 | SU BUS(C)P ET(4×2×AWG26/19)C UL Cat.6 | Jacket material: PUR

Notes and Comments

Comments Suitable cables, see overview assignment Ethernet cables to connectors

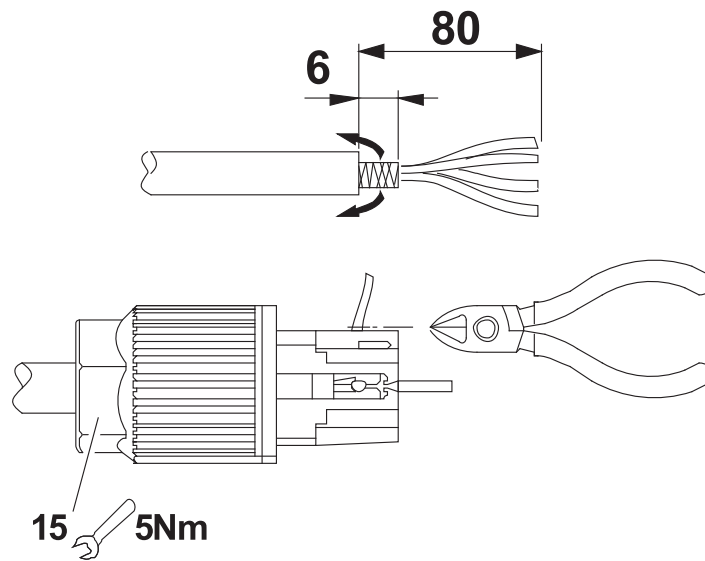
Dimensions



Technical data sheet

Actuator sensor interface · M12 - connector

Mounting diagram



Pin layout

