

Technical data sheet

Actuator sensor interface · M8 - connector

Field wireable connector, M8 straight

Male / female

IDC quick-connect technology



Identification

Type	STGK-M8 4POL. SNK
Part No.	490124

Product version

Datasheet version	00
-------------------	----

General

Design	M 8 male straight
Test voltage	800 V
Degree of pollution	3
Insulation resistance	>100 M Ω
Contact resistance	<5 m Ω
Flamability according to UL 94	HB
Protection class	IP67
Housing material	PA
Color of the housing	black
Contact material	CuSn, gold-plated
Thread material	CuZn nickel-plate
Mounting	Breakaway torque 0.2 Nm
Cable diameter	2.5 mm – 5 mm
Storage temperature range	-40 °C ... +90 °C
Temperature range connector	-40 °C ... +80 °C
Mechanical service life	>100 insertion cycles

United Kingdom: LÜTZE Ltd.

Unit 3, Sandy Hill Park
Sandy Way, Amington · GB-Tamworth, Staffs B77 4DU
Tel. +44 (0)1827 31333-0 · Fax +44 (0)1827 31333-2
www.lutze.com · sales.gb@lutze.co.uk

Germany: Friedrich Lütze GmbH

Postfach 12 24 (PLZ 71366) · Bruckwiesenstraße 17-19 · D-71384 Weinstadt
Tel. +49 (0)7151 6053-0 · Fax +49 (0)7151 6053-277(-288)
www.luetze.de · info@luetze.de

08.11.2021 · Subject to technical modification

Part No. 490124 · Datasheet version: 00

page 1 of 3



SYSTEMATIC TECHNOLOGY

Technical data sheet

Actuator sensor interface · M8 - connector

Connection type	IDC 0.25 mm ² – 0.5 mm ²
Weight/unit	0.008 kg
PU (units)	1

Technical data

Rated voltage U _N	AC/DC 24 V
Operating voltage max.	60 V
Rated current	4 A
Pole number	4

Certifications/Standards

Certifications	cURus (E256031)
----------------	-----------------

Accessories

Accessories

matching cables:

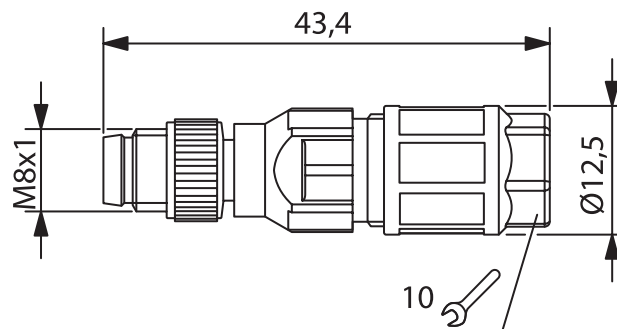
117240 | SU TR AS PUR 3×0,25 UL | Jacket material: PUR

117241 | SU TR AS PUR 4×0,25 UL | Jacket material: PUR

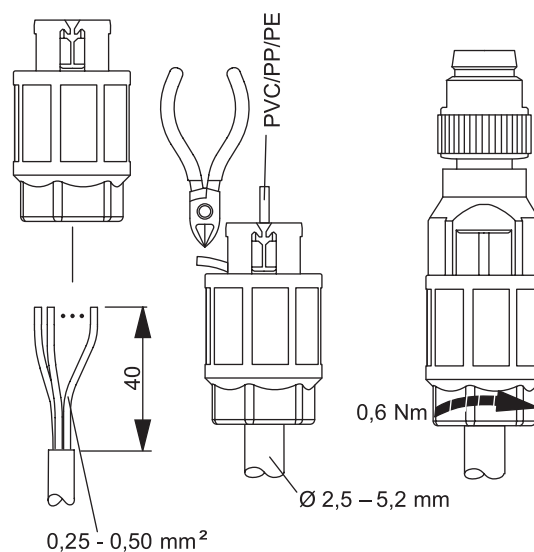
117243 | SU TR AS PUR 3×0,34 UL | Jacket material: PUR

117244 | SU TR AS PUR 4×0,34 UL | Jacket material: PUR

Dimensions



Mounting diagram



Technical data sheet

Actuator sensor interface · M8 - connector

Pin layout

