

## Technical data sheet

Actuator sensor interface · M8 - connector

---

Field wireable connector, M8 straight

Male / female

IDC quick-connect technology



---

### Identification

|          |                    |
|----------|--------------------|
| Type     | STGK-M8 3 POL. SNK |
| Part No. | 490123             |

---

### Product version

|                   |    |
|-------------------|----|
| Datasheet version | 00 |
|-------------------|----|

---

### General

|                                |                         |
|--------------------------------|-------------------------|
| Design                         | M 8<br>male<br>straight |
| Test voltage                   | 1500 V                  |
| Degree of pollution            | 3                       |
| Insulation resistance          | >100 M $\Omega$         |
| Contact resistance             | <5 m $\Omega$           |
| Flamability according to UL 94 | HB                      |
| Protection class               | IP67                    |
| Housing material               | PA                      |
| Color of the housing           | black                   |
| Contact material               | CuSn, gold-plated       |
| Thread material                | CuZn nickel-plate       |
| Mounting                       | Breakaway torque 0.2 Nm |
| Cable diameter                 | 2.5 mm – 5 mm           |
| Storage temperature range      | -40 °C ... +90 °C       |
| Temperature range connector    | -40 °C ... +80 °C       |
| Mechanical service life        | >100 insertion cycles   |

---

#### United Kingdom: LÜTZE Ltd.

Unit 3, Sandy Hill Park  
Sandy Way, Amington · GB-Tamworth, Staffs B77 4DU  
Tel. +44 (0)1827 31333-0 · Fax +44 (0)1827 31333-2  
www.lutze.com · sales.gb@lutze.co.uk

#### Germany: Friedrich Lütze GmbH

Postfach 12 24 (PLZ 71366) · Bruckwiesenstraße 17-19 · D-71384 Weinstadt  
Tel. +49 (0)7151 6053-0 · Fax +49 (0)7151 6053-277(-288)  
www.luetze.de · info@luetze.de

08.11.2021 · Subject to technical modification

Part No. 490123 · Datasheet version: 00

page 1 of 3



SYSTEMATIC TECHNOLOGY

## Technical data sheet

### Actuator sensor interface · M8 - connector

|                 |   |
|-----------------|---|
| Connection type | IDC<br>0.25 mm <sup>2</sup> – 0.5 mm <sup>2</sup> |
| Weight/unit     | 0.008 kg  |
| PU (units)      | 1   |

### Technical data

|                              |            |
|------------------------------|------------|
| Rated voltage U <sub>N</sub> | AC/DC 24 V |
| Operating voltage max.       | 60 V       |
| Rated current                | 4 A        |
| Pole number                  | 3          |

### Certifications/Standards

|                |                 |
|----------------|-----------------|
| Certifications | cURus (E256031) |
|----------------|-----------------|

### Accessories

#### Accessories

matching cables:

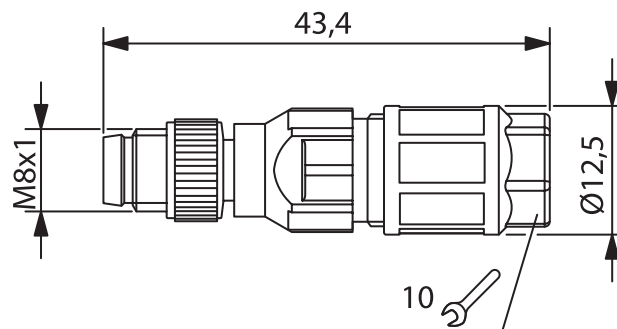
117240 | SU TR AS PUR 3×0,25 UL | Jacket material: PUR

117241 | SU TR AS PUR 4×0,25 UL | Jacket material: PUR

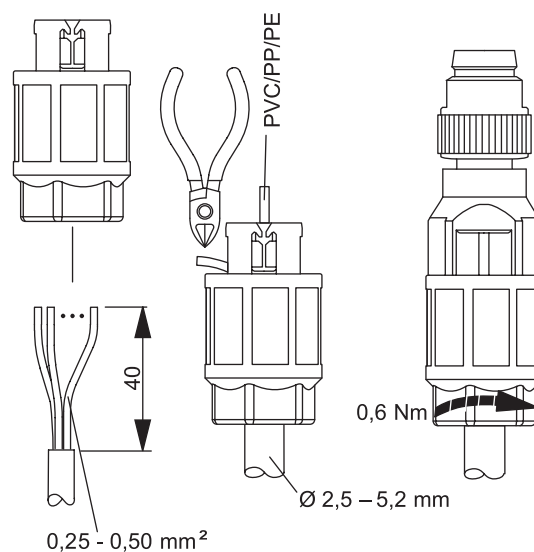
117243 | SU TR AS PUR 3×0,34 UL | Jacket material: PUR

117244 | SU TR AS PUR 4×0,34 UL | Jacket material: PUR

### Dimensions



### Mounting diagram



## Technical data sheet

Actuator sensor interface · M8 - connector

---

### Pin layout

