

Technical data sheet

Actuator sensor interface · M12 - connector

Field wireable connector, M12 straight

Female - A coded

Fast connection method, IDC termination



Identification

Type KUGK-M12 4POL. SNK
Part No. [490029](#)

Product version

Datasheet version 00

General

Design	M 12 female straight
Form male 1	M 12 female straight
Rated insulation voltage	300 V
Test voltage	2500 V
Degree of pollution	3
Insulation resistance	>1000 M Ω
Contact resistance	<5 m Ω
Flamability according to UL 94	V0
Degree of protection	IP67
Housing material	PBT
Color of the housing	black
Contact material	CuZn, gold-plated
Thread material	CuZn nickel-plate
Material sealing ring	NBR
Mounting	Breakaway torque 0.4 Nm
Cable diameter	4 mm – 7.5 mm

United Kingdom: LÜTZE Ltd.

Unit 3, Sandy Hill Park
Sandy Way, Amington · GB-Tamworth, Staffs B77 4DU
Tel. +44 (0)1827 31333-0 · Fax +44 (0)1827 31333-2
www.lutze.com · sales.gb@lutze.co.uk

Germany: Friedrich Lütze GmbH

Postfach 12 24 (PLZ 71366) · Bruckwiesenstraße 17-19 · D-71384 Weinstadt
Tel. +49 (0)7151 6053-0 · Fax +49 (0)7151 6053-277(-288)
www.luetze.de · info@luetze.de

03.05.2022 · Subject to technical modification

Part No. [490029](#) · Datasheet version: 00

page 1 of 3



SYSTEMATIC TECHNOLOGY

Technical data sheet

Actuator sensor interface · M12 - connector

Storage temperature range	-40 °C ... +90 °C
Temperature range connector	-25 °C ... +80 °C
Mechanical service life	>100 insertion cycles
Cross-section, metric	0.75 mm ²
Connection type	Compliant terminal IDC
Weight/unit	0.03 kg
PU (units)	1

Technical data

Rated voltage U_N	AC/DC 24 V
Operating voltage max.	250 V
Rated current	4 A
Pole number	4
Coding	A

Certifications/Standards

Certifications	cULus Listed (E224249)
----------------	------------------------

Equipment/Spare parts

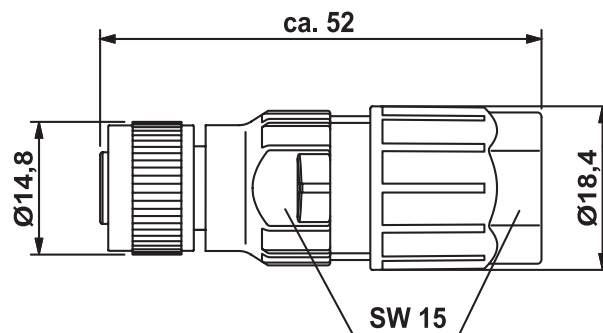
Accessories

matching cables:

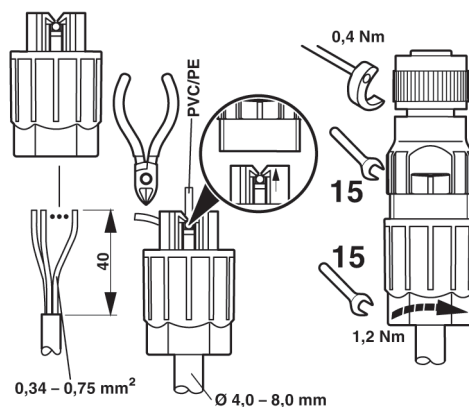
117243 | SU TR AS PUR 3×0,34 UL | Jacket material: PUR

117244 | SU TR AS PUR 4×0,34 UL | Jacket material: PUR

Dimensions



Mounting diagram



Technical data sheet

Actuator sensor interface · M12 - connector

Pin layout

