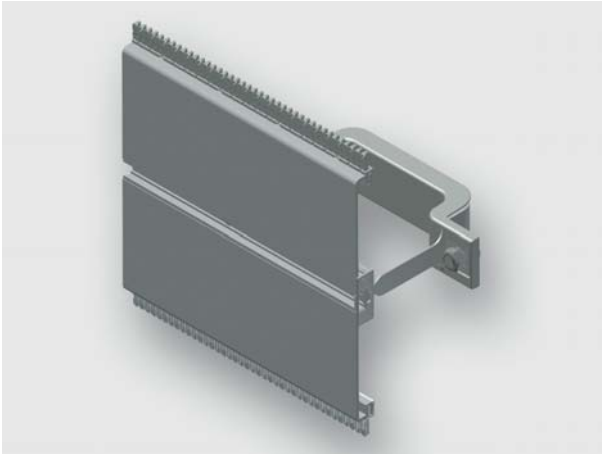


Technical data sheet - Module AirSTREAM



Standard module, pre-assembled from rail type MS and mounting bracket

Identification	Type	MS180 0700-0750 BI30-085
	Part-No.	380127M0013
Description		
Module type	MS180	
Description	Installation rail MS module The standard module MS is used for mounting of components with screw channel on a flat surface. The module contains a symmetrically arranged screw channel, standard combs, two mounting brackets with insulation and edge protection. The MS module is available with a rail heights of 40 and 180 mm.	
Technical data		
for frame width	750 mm	
Frame width	750 mm	
Frame depth	120 mm	
Rail height	180 mm	
Rail length	700 mm	
Distance	50 mm	
Bracket width	30 mm	
Wiring space	85 cm ²	
Top comb	Ja	
Bottom comb	Ja	
General		

10.10.2019 – Subject to technical modification

Part-No. 380127M0013

USA: LUTZE INC.

13330 South Ridge Drive • Charlotte, NC 28273, USA
Tel. +1 (704) 504-0222 • Fax +1 (704) 504-0223
www.lutze.com • info@lutze.com

United Kingdom: LÜTZE Ltd.

Unit 3, Sandy Hill Park
Sandy Way, Amington • GB-Tamworth, Staffs B77 4DU
Tel. +44 (0)1827 31333-0 • Fax +44 (0)1827 31333-2
www.lutze.com • sales.gb@lutze.co.uk

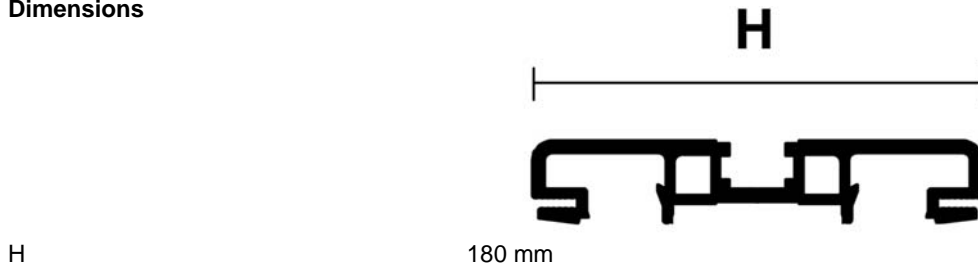


SYSTEMATIC TECHNOLOGY

Technical data sheet - Module AirSTREAM

Material Aluminum
Surface bright

Dimensions



10.10.2019 – Subject to technical modification

Part-No. 380127M0013

USA: LUTZE INC.

13330 South Ridge Drive • Charlotte, NC 28273, USA
Tel. +1 (704) 504-0222 • Fax +1 (704) 504-0223
www.lutze.com • info@lutze.com

United Kingdom: LÜTZE Ltd.

Unit 3, Sandy Hill Park
Sandy Way, Amington • GB-Tamworth, Staffs B77 4DU
Tel. +44 (0)1827 31333-0 • Fax +44 (0)1827 31333-2
www.lutze.com • sales.gb@lutze.co.uk