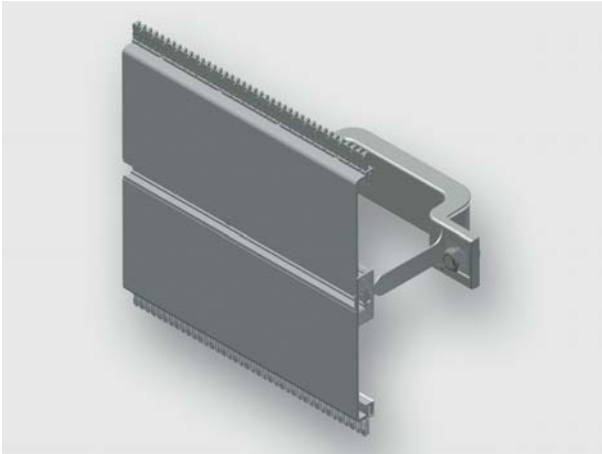


# Technical data sheet - Module AirSTREAM



Standard module, pre-assembled from rail type MS and mounting bracket

|                       |          |                          |
|-----------------------|----------|--------------------------|
| <b>Identification</b> | Type     | MS180 0500-0500 BI30-085 |
|                       | Part-No. | 380127M0004              |

|                    |  |
|--------------------|--|
| <b>Description</b> |  |
| Module type        | MS180  |
| Description        | <b>Installation rail MS module</b><br>The standard module MS is used for mounting of components with screw channel on a flat surface. The module contains a symmetrically arranged screw channel, standard combs, two mounting brackets with insulation and edge protection.<br>The MS module is available with a rail heights of 40 and 180 mm. |

|                       |                    |
|-----------------------|--------------------|
| <b>Technical data</b> |                    |
| for frame width       | 500 mm             |
| Frame width           | 500 mm             |
| Frame depth           | 120 mm             |
| Rail height           | 180 mm             |
| Rail length           | 500 mm             |
| Distance              | 50 mm              |
| Bracket width         | 30 mm              |
| Wiring space          | 85 cm <sup>2</sup> |
| Top comb              | Ja                 |
| Bottom comb           | Ja                 |

## General

10.10.2019 – Subject to technical modification

Part-No. 380127M0004

USA: LUTZE INC.

13330 South Ridge Drive • Charlotte, NC 28273, USA  
Tel. +1 (704) 504-0222 • Fax +1 (704) 504-0223  
www.lutze.com • info@lutze.com

United Kingdom: LÜTZE Ltd.

Unit 3, Sandy Hill Park  
Sandy Way, Amington • GB-Tamworth, Staffs B77 4DU  
Tel. +44 (0)1827 31333-0 • Fax +44 (0)1827 31333-2  
www.lutze.com • sales.gb@lutze.co.uk



SYSTEMATIC TECHNOLOGY

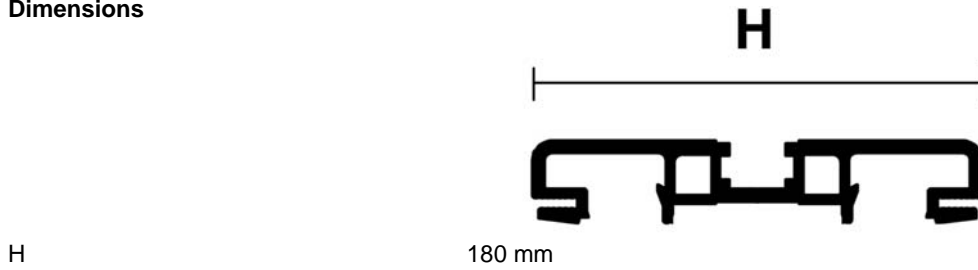
# Technical data sheet - Module AirSTREAM

---

Material Aluminum  
Surface bright

---

## Dimensions



10.10.2019 – Subject to technical modification

Part-No. 380127M0004

USA: LUTZE INC.

13330 South Ridge Drive • Charlotte, NC 28273, USA  
Tel. +1 (704) 504-0222 • Fax +1 (704) 504-0223  
www.lutze.com • info@lutze.com

United Kingdom: LÜTZE Ltd.

Unit 3, Sandy Hill Park  
Sandy Way, Amington • GB-Tamworth, Staffs B77 4DU  
Tel. +44 (0)1827 31333-0 • Fax +44 (0)1827 31333-2  
www.lutze.com • sales.gb@lutze.co.uk