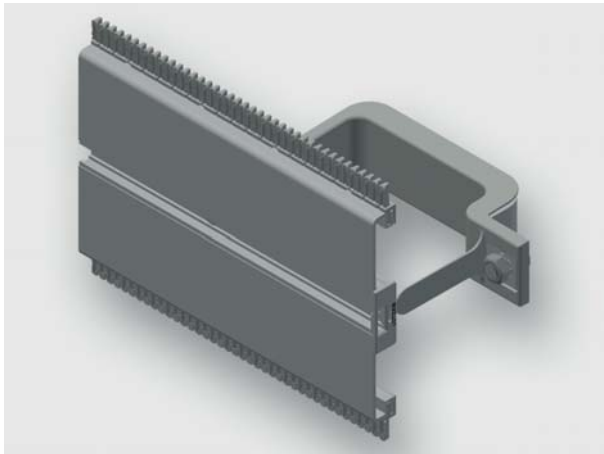


# Technical data sheet - Module AirSTREAM



Standard module, pre-assembled from rail type MS and mounting bracket

<b>Identification</b>	Type	MS120 1100-1150 BI30-085
	Part-No.	380124M0015
<b>Description</b>		
Module type	MS120	
Description	<b>Installation rail MS module</b> The standard module MS is used for mounting of components with screw channel on a flat surface. The module contains a symmetrically arranged screw channel, standard combs, two mounting brackets with insulation and edge protection. The MS module is available with a rail heights of 40 and 180 mm.	
<b>Technical data</b>		
Frame width	1150 mm	
Frame depth	120 mm	
Rail height	120 mm	
Rail length	1100 mm	
Distance	50 mm	
Bracket width	30 mm	
Wiring space	85 cm <sup>2</sup>	
Top comb	Ja	
Bottom comb	Ja	
<b>General</b>		
Material	Aluminum	

10.10.2019 – Subject to technical modification

Part-No. 380124M0015

USA: LUTZE INC.

13330 South Ridge Drive • Charlotte, NC 28273, USA  
Tel. +1 (704) 504-0222 • Fax +1 (704) 504-0223  
www.lutze.com • info@lutze.com

United Kingdom: LÜTZE Ltd.

Unit 3, Sandy Hill Park  
Sandy Way, Amington • GB-Tamworth, Staffs B77 4DU  
Tel. +44 (0)1827 31333-0 • Fax +44 (0)1827 31333-2  
www.lutze.com • sales.gb@lutze.co.uk



SYSTEMATIC TECHNOLOGY

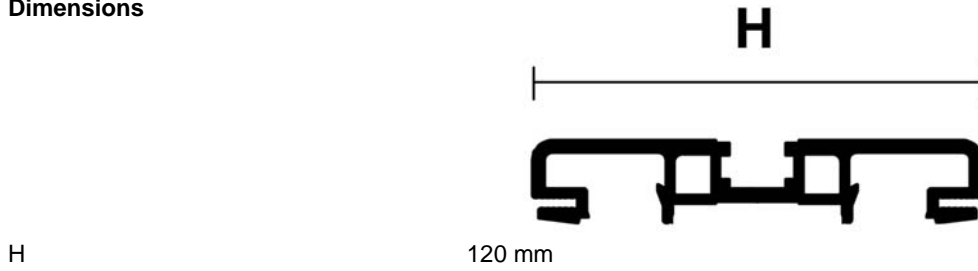
# Technical data sheet - Module AirSTREAM

---

Surface bright

---

## Dimensions



10.10.2019 – Subject to technical modification

Part-No. 380124M0015

USA: LUTZE INC.

13330 South Ridge Drive • Charlotte, NC 28273, USA  
Tel. +1 (704) 504-0222 • Fax +1 (704) 504-0223  
www.lutze.com • info@lutze.com

United Kingdom: LÜTZE Ltd.

Unit 3, Sandy Hill Park  
Sandy Way, Amington • GB-Tamworth, Staffs B77 4DU  
Tel. +44 (0)1827 31333-0 • Fax +44 (0)1827 31333-2  
www.lutze.com • sales.gb@lutze.co.uk