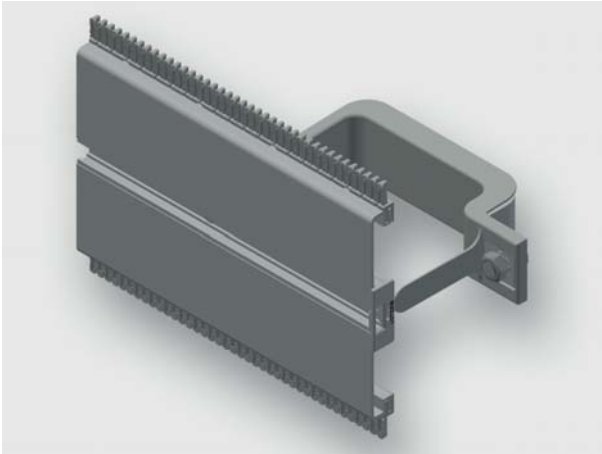


Technical data sheet - Module AirSTREAM



Standard module, pre-assembled from rail type MS and mounting bracket

Identification	Type	MS120 0900-0950 BI30-085
	Part-No.	380124M0014

Description	
Module type	MS120
Description	Installation rail MS module The standard module MS is used for mounting of components with screw channel on a flat surface. The module contains a symmetrically arranged screw channel, standard combs, two mounting brackets with insulation and edge protection. The MS module is available with a rail heights of 40 and 180 mm.

Technical data	
Frame width	950 mm
Frame depth	120 mm
Rail height	120 mm
Rail length	900 mm
Distance	50 mm
Bracket width	30 mm
Wiring space	85 cm ²
Top comb	Ja
Bottom comb	Ja

General	
Material	Aluminum

10.10.2019 – Subject to technical modification

Part-No. 380124M0014

USA: LUTZE INC.

13330 South Ridge Drive • Charlotte, NC 28273, USA
Tel. +1 (704) 504-0222 • Fax +1 (704) 504-0223
www.lutze.com • info@lutze.com

United Kingdom: LÜTZE Ltd.

Unit 3, Sandy Hill Park
Sandy Way, Amington • GB-Tamworth, Staffs B77 4DU
Tel. +44 (0)1827 31333-0 • Fax +44 (0)1827 31333-2
www.lutze.com • sales.gb@lutze.co.uk

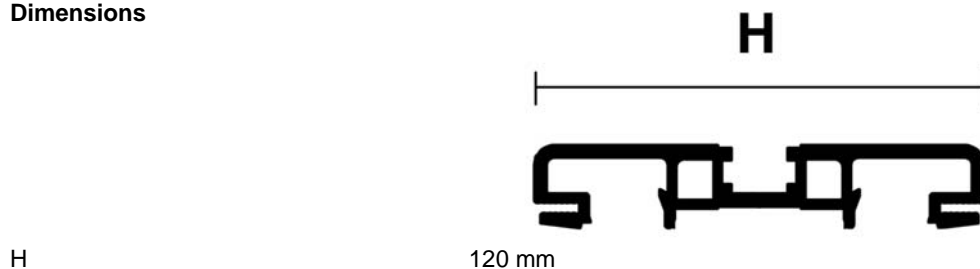


SYSTEMATIC TECHNOLOGY

Technical data sheet - Module AirSTREAM

Surface bright

Dimensions



10.10.2019 – Subject to technical modification

Part-No. 380124M0014

USA: LUTZE INC.

13330 South Ridge Drive • Charlotte, NC 28273, USA

Tel. +1 (704) 504-0222 • Fax +1 (704) 504-0223

www.lutze.com • info@lutze.com

United Kingdom: LÜTZE Ltd.

Unit 3, Sandy Hill Park

Sandy Way, Amington • GB-Tamworth, Staffs B77 4DU

Tel. +44 (0)1827 31333-0 • Fax +44 (0)1827 31333-2

www.lutze.com • sales.gb@lutze.co.uk



SYSTEMATIC TECHNOLOGY