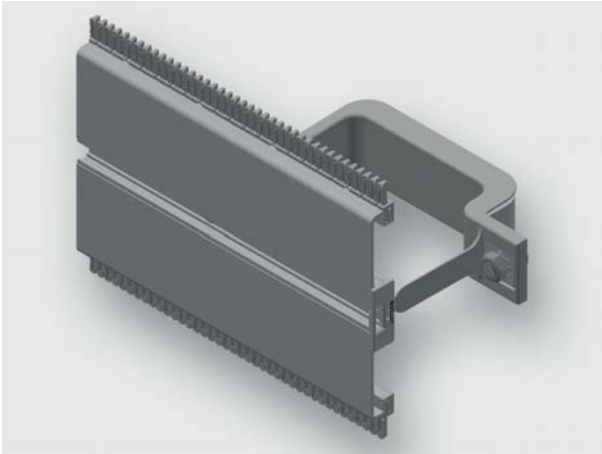


Technical data sheet - Module AirSTREAM



Standard module, pre-assembled from rail type MS and mounting bracket

Identification	Type	MS120 1100-1100 BI30-055
	Part-No.	380124M0003
Description		
Module type	MS120	
Description	Installation rail MS module The standard module MS is used for mounting of components with screw channel on a flat surface. The module contains a symmetrically arranged screw channel, standard combs, two mounting brackets with insulation and edge protection. The MS module is available with a rail heights of 40 and 180 mm.	
Technical data		
Frame width	1100 mm	
Frame depth	90 mm	
Rail height	120 mm	
Rail length	1100 mm	
Distance	50 mm	
Bracket width	30 mm	
Wiring space	55 cm ²	
Top comb	Ja	
Bottom comb	Ja	
General		
Material	Aluminum	

10.10.2019 – Subject to technical modification

Part-No. 380124M0003

USA: LUTZE INC.

13330 South Ridge Drive • Charlotte, NC 28273, USA

Tel. +1 (704) 504-0222 • Fax +1 (704) 504-0223

www.lutze.com • info@lutze.com

United Kingdom: LÜTZE Ltd.

Unit 3, Sandy Hill Park

Sandy Way, Amington • GB-Tamworth, Staffs B77 4DU

Tel. +44 (0)1827 31333-0 • Fax +44 (0)1827 31333-2

www.lutze.com • sales.gb@lutze.co.uk

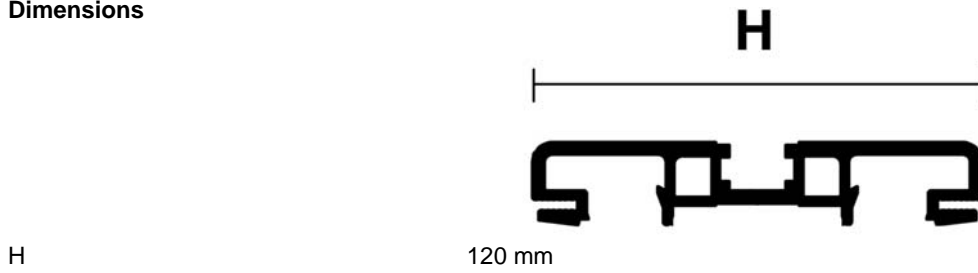


SYSTEMATIC TECHNOLOGY

Technical data sheet - Module AirSTREAM

Surface bright

Dimensions



10.10.2019 – Subject to technical modification

Part-No. 380124M0003

USA: LUTZE INC.

13330 South Ridge Drive • Charlotte, NC 28273, USA
Tel. +1 (704) 504-0222 • Fax +1 (704) 504-0223
www.lutze.com • info@lutze.com

United Kingdom: LÜTZE Ltd.

Unit 3, Sandy Hill Park
Sandy Way, Amington • GB-Tamworth, Staffs B77 4DU
Tel. +44 (0)1827 31333-0 • Fax +44 (0)1827 31333-2
www.lutze.com • sales.gb@lutze.co.uk