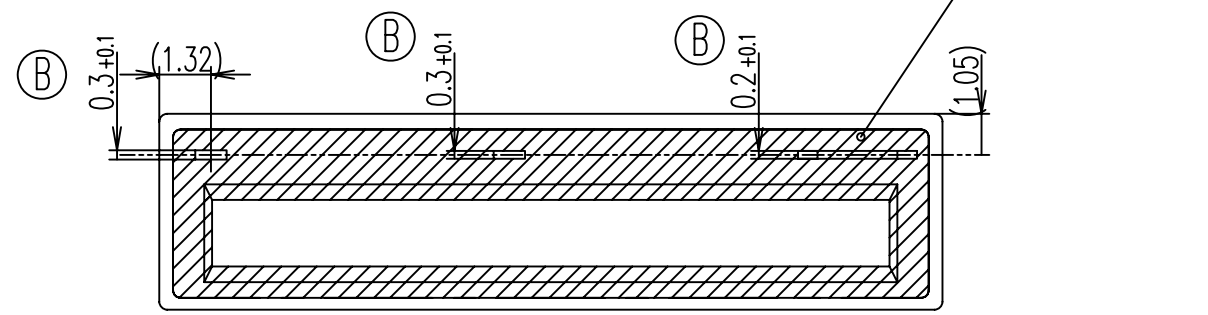
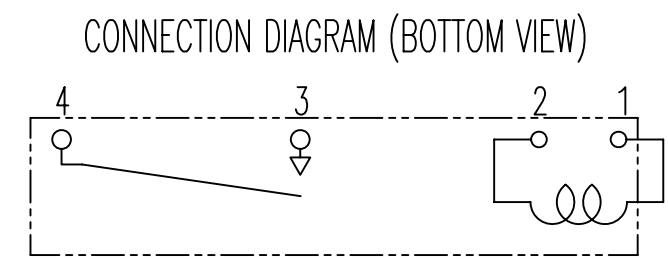
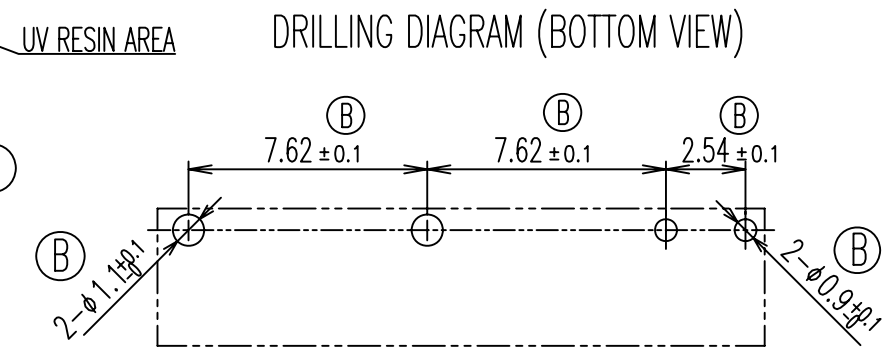
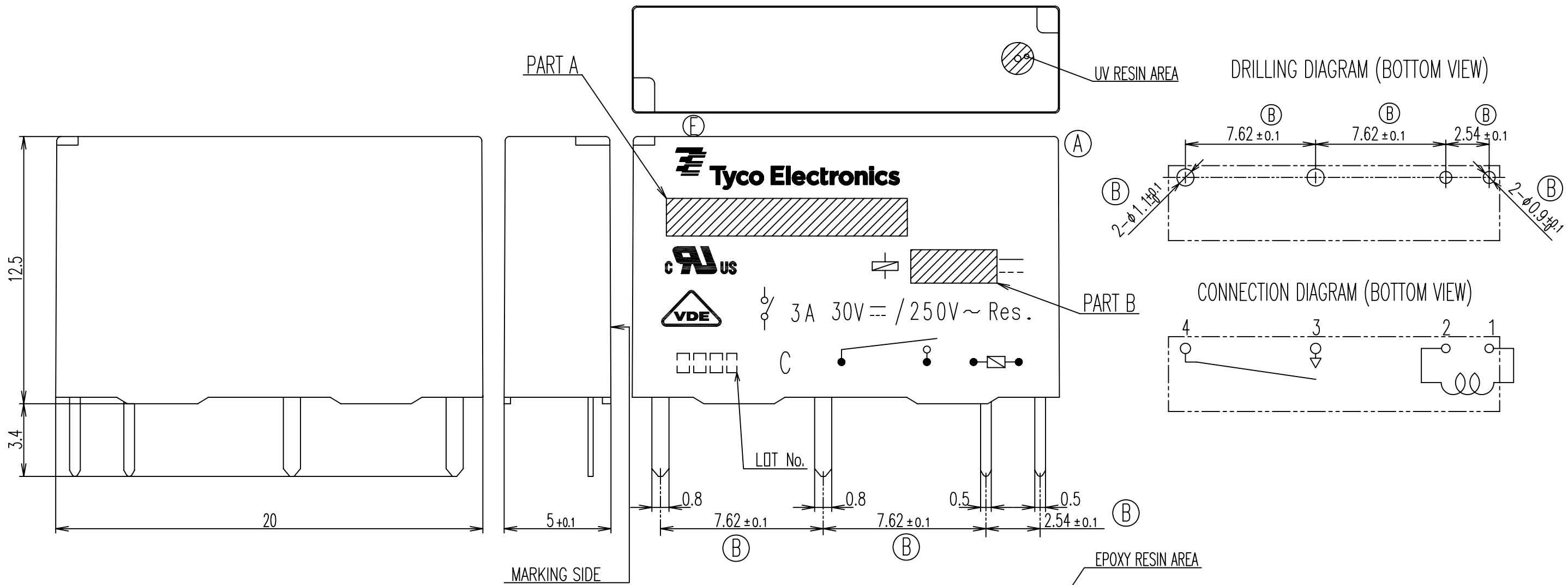


THIS DRAWING IS UNPUBLISHED. RELEASED FOR PUBLICATION  
 © COPYRIGHT BY TYCO ELECTRONICS CORPORATION. ALL RIGHTS RESERVED.

LOC HB DIST

REVISIONS

P	LTR	DESCRIPTION	ECN	DATE	DWN	APVD
C4		SEPARATE TYPE	ECO-05-002901	31-MAY-05	H.S	A.N
D		CHANGE BASE,BOBBIN CASE AND CARD MATERIAL	ECO-07-022245	08-OCT-07	FS.H	BH.Y
E		USE NEW LOGO	ECO-08-020470	13-AUG-08	FS.H	BH.Y



1. TERMINAL DIMENSION IS AFTER SOLDER DIP  
 2. LOT NO. SYSTEM AS FOLLOWING;  
 0 2 0 1 I ...2 DIGITS FOR THE CHRISTIAN YEAR  
 I II 2007....07 2010....10  
 2008....08 2011....11  
 2009....09 20xx....xx  
 II ...2 DIGITS FOR WEEK MANUFACTURED AS  
 03.... 3 WEEKS IN 1 YEAR  
 04.... 4 WEEKS IN 1 YEAR  
 xx.... xx WEEKS IN 1 YEAR

Diagram dimension	Tolerance
0.99mm max	±0.1mm
1 - 2.99mm	±0.2mm
3mm min	±0.3mm

THIS DRAWING IS A CONTROLLED DOCUMENT FOR TYCO ELECTRONICS CORPORATION IT IS SUBJECT TO CHANGE AND THE CONTROLLING ENGINEERING ORGANIZATION SHOULD BE CONTACTED FOR THE LATEST REVISION.		DWN M.MOCHIZUKI	Tyco Electronics Corporation Shenzhen, China	
		CHK Y.OKAMOTO		
		APVD A.NAGAI	NAME	
		PRODUCT SPEC SEE PRODUCT SPEC	PCN-D3M** CUSTOMER DRAWING	
		APPLICATION SPEC -	SIZE A3	CAGE CODE 00779
		WEIGHT -	DRAWING NO C- 1461491	RESTRICTED TO -
CUSTOMER DRAWING		SCALE 5:1	SHEET 1 OF 3	REV E

THIS DRAWING IS UNPUBLISHED. RELEASED FOR PUBLICATION  
 © COPYRIGHT BY TYCO ELECTRONICS CORPORATION. ALL RIGHTS RESERVED.

LOC HB	DIST	REVISIONS								
		P	LTR	DESCRIPTION	ECN	DATE	DWN	APVD		

PART B	PART A	DESCRIPTION	TE PART NO	PACKING SPECIFICATION	PRODUCT SPEC	DISCRIPTION	No.
(C4)(B3)	24V	PCN-124D3MHZ	PCN-124D3MHZ,001	3-1461491-8	107-79039 (TUBE)		
(C4)(B3)	4.5V	PCN-104D3MHZ	PCN-104D3MHZ,001	3-1461491-7	107-79039 (TUBE)		
	24V	PCN-124D3MHZ	PCN-124D3MHZ	3-1461491-6	107-79039 (TUBE)	108-79629	
	23.5V	PCN-123D3MHZ	PCN-123D3MHZ	3-1461491-5	107-79039 (TUBE)	108-79628	
	18V	PCN-118D3MHZ	PCN-118D3MHZ	3-1461491-4	107-79039 (TUBE)	108-79627	
	12V	PCN-112D3MHZ	PCN-112D3MHZ	3-1461491-3	107-79039 (TUBE)	108-79626	
	9V	PCN-109D3MHZ	PCN-109D3MHZ	3-1461491-2	107-79039 (TUBE)	108-79625	
	6V	PCN-106D3MHZ	PCN-106D3MHZ	3-1461491-1	107-79039 (TUBE)	108-79624	
	5V	PCN-105D3MHZ	PCN-105D3MHZ	3-1461491-0	107-79039 (TUBE)	108-79623	
	4.5V	PCN-104D3MHZ	PCN-104D3MHZ	2-1461491-9	107-79039 (TUBE)	108-79622	
	3V	PCN-103D3MHZ	PCN-103D3MHZ	2-1461491-8	107-79039 (TUBE)	108-79621	
	24V	PCN-124D3MZ	PCN-124D3MZ	2-1461491-7	107-79039 (TUBE)	108-79620	
	23.5V	PCN-123D3MZ	PCN-123D3MZ	2-1461491-6	107-79039 (TUBE)	108-79619	
	18V	PCN-118D3MZ	PCN-118D3MZ	2-1461491-5	107-79039 (TUBE)	108-79618	
	12V	PCN-112D3MZ	PCN-112D3MZ	2-1461491-4	107-79039 (TUBE)	108-79617	
	9V	PCN-109D3MZ	PCN-109D3MZ	2-1461491-3	107-79039 (TUBE)	108-79616	
	6V	PCN-106D3MZ	PCN-106D3MZ	2-1461491-2	107-79039 (TUBE)	108-79615	
	5V	PCN-105D3MZ	PCN-105D3MZ	2-1461491-1	107-79039 (TUBE)	108-79614	
	4.5V	PCN-104D3MZ	PCN-104D3MZ	2-1461491-0	107-79039 (TUBE)	108-79613	
	3V	PCN-103D3MZ	PCN-103D3MZ	1-1461491-9	107-79039 (TUBE)	108-79612	

24V	PCN-124D3MH	PCN-124D3MH	1-1461491-8	107-79039 (TUBE)	108-79611	STANDARD INSURATION WASHABLE TYPE	b
23.5V	PCN-123D3MH	PCN-123D3MH	1-1461491-7	107-79039 (TUBE)	108-79610		
18V	PCN-118D3MH	PCN-118D3MH	1-1461491-6	107-79039 (TUBE)	108-79609		
12V	PCN-112D3MH	PCN-112D3MH	1-1461491-5	107-79039 (TUBE)	108-79608		
9V	PCN-109D3MH	PCN-109D3MH	1-1461491-4	107-79039 (TUBE)	108-79607		
6V	PCN-106D3MH	PCN-106D3MH	1-1461491-3	107-79039 (TUBE)	108-79606		
5V	PCN-105D3MH	PCN-105D3MH	1-1461491-2	107-79039 (TUBE)	108-79605		
4.5V	PCN-104D3MH	PCN-104D3MH	1-1461491-1	107-79039 (TUBE)	108-79604	STANDARD INSURATION PLASTIC SEALED TYPE	a
3V	PCN-103D3MH	PCN-103D3MH	1-1461491-0	107-79039 (TUBE)	108-79603		
24V	PCN-124D3M	PCN-124D3M	1461491-9	107-79039 (TUBE)	108-79602		
23.5V	PCN-123D3M	PCN-123D3M	1461491-8	107-79039 (TUBE)	108-79601		
18V	PCN-118D3M	PCN-118D3M	1461491-7	107-79039 (TUBE)	108-79600		
12V	PCN-112D3M	PCN-112D3M	1461491-6	107-79039 (TUBE)	108-79599		
9V	PCN-109D3M	PCN-109D3M	1461491-5	107-79039 (TUBE)	108-79598		
6V	PCN-106D3M	PCN-106D3M	1461491-4	107-79039 (TUBE)	108-79597	DISCRIPTION	No.
5V	PCN-105D3M	PCN-105D3M	1461491-3	107-79039 (TUBE)	108-79596		
4.5V	PCN-104D3M	PCN-104D3M	1461491-2	107-79039 (TUBE)	108-79595		
3V	PCN-103D3M	PCN-103D3M	1461491-1	107-79039 (TUBE)	108-79594		

15	UV RESIN
14	CASE (NATURAL)
	CASE (BLACK)
13	EPOXY
12	MAGNETIC WIRE
11	CARD (NATURAL)
	CARD (BLACK)
10	ARMATURE
9	STATIONARY CONTACT
8	STATIONARY TERMINAL
7	MOVABLE CONTACT
6	MOVABLE TERMINAL
5	BASE (NATURAL)
	BASE (BLACK)
4	CORE
3	COIL TERMINAL B
2	COIL TERMINAL A
1	BOBBIN (BLACK ONLY)

(B1)

MOLD COLOR

NATURAL: REINFORCED INSURATION MODEL  
 強化絶縁品 (IEC1131-2 Conformed)

BLACK: BASIC INSURATION MODEL  
 基礎絶縁品 (IEC1131-2 Conformed)

THIS DRAWING IS A CONTROLLED DOCUMENT FOR TYCO ELECTRONICS CORPORATION IT IS SUBJECT TO CHANGE AND THE CONTROLLING ENGINEERING ORGANIZATION SHOULD BE CONTACTED FOR THE LATEST REVISION.		DWN	Tyco Electronics Corporation Shenzhen, China				
DIMENSIONS: mm		CHK					
	TOLERANCES UNLESS OTHERWISE SPECIFIED:	APVD	NAME				
	0 PLC ±	PRODUCT SPEC	PCN-D3M** CUSTOMER DRAWING				
MATERIAL	FINISH	APPLICATION SPEC	SIZE	CAGE CODE	DRAWING NO	RESTRICTED TO	
		WEIGHT	A3	00779	Ⓒ- 1461491		
CUSTOMER DRAWING		SCALE	5 : 1	SHEET	2 OF 3	REV	E

PARTS LIST

4

3

2

1

THIS DRAWING IS UNPUBLISHED.

RELEASED FOR PUBLICATION

© COPYRIGHT

BY TYCO ELECTRONICS CORPORATION. ALL RIGHTS RESERVED.

LOC

DIST

REVISIONS

P	LTR	DESCRIPTION	ECN	DATE	DWN	APVD

④③	24V	PCN-124D3MHZ	PCN-124D3MHZ,001	7-1461491-6	107-79043 (TRAY)		
④③	4.5V	PCN-104D3MHZ	PCN-104D3MHZ,001	7-1461491-5	107-79043 (TRAY)		
	24V	PCN-124D3MHZ	PCN-124D3MHZ	7-1461491-4	107-79043 (TRAY)	108-79629	
	23.5V	PCN-123D3MHZ	PCN-123D3MHZ	7-1461491-3	107-79043 (TRAY)	108-79628	
	18V	PCN-118D3MHZ	PCN-118D3MHZ	7-1461491-2	107-79043 (TRAY)	108-79627	
	12V	PCN-112D3MHZ	PCN-112D3MHZ	7-1461491-1	107-79043 (TRAY)	108-79626	
	9V	PCN-109D3MHZ	PCN-109D3MHZ	7-1461491-0	107-79043 (TRAY)	108-79625	
	6V	PCN-106D3MHZ	PCN-106D3MHZ	6-1461491-9	107-79043 (TRAY)	108-79624	
	5V	PCN-105D3MHZ	PCN-105D3MHZ	6-1461491-8	107-79043 (TRAY)	108-79623	
	4.5V	PCN-104D3MHZ	PCN-104D3MHZ	6-1461491-7	107-79043 (TRAY)	108-79622	
	3V	PCN-103D3MHZ	PCN-103D3MHZ	6-1461491-6	107-79043 (TRAY)	108-79621	
	24V	PCN-124D3MZ	PCN-124D3MZ	6-1461491-5	107-79043 (TRAY)	108-79620	
	23.5V	PCN-123D3MZ	PCN-123D3MZ	6-1461491-4	107-79043 (TRAY)	108-79619	
	18V	PCN-118D3MZ	PCN-118D3MZ	6-1461491-3	107-79043 (TRAY)	108-79618	
	12V	PCN-112D3MZ	PCN-112D3MZ	6-1461491-2	107-79043 (TRAY)	108-79617	
	9V	PCN-109D3MZ	PCN-109D3MZ	6-1461491-1	107-79043 (TRAY)	108-79616	
	6V	PCN-106D3MZ	PCN-106D3MZ	6-1461491-0	107-79043 (TRAY)	108-79615	
	5V	PCN-105D3MZ	PCN-105D3MZ	5-1461491-9	107-79043 (TRAY)	108-79614	
	4.5V	PCN-104D3MZ	PCN-104D3MZ	5-1461491-8	107-79043 (TRAY)	108-79613	
	3V	PCN-103D3MZ	PCN-103D3MZ	5-1461491-7	107-79043 (TRAY)	108-79612	
	PART B	PART A	DESCRIPTION	TE PART NO	PACKING SPECIFICATION	PRODUCT SPEC	DISCRIPTION No.

24V	PCN-124D3MH	PCN-124D3MH	5-1461491-6	107-79043 (TRAY)	108-79611	STANDARD INSURATION WASHABLE TYPE	B
23.5V	PCN-123D3MH	PCN-123D3MH	5-1461491-5	107-79043 (TRAY)	108-79610		
18V	PCN-118D3MH	PCN-118D3MH	5-1461491-4	107-79043 (TRAY)	108-79609		
12V	PCN-112D3MH	PCN-112D3MH	5-1461491-3	107-79043 (TRAY)	108-79608		
9V	PCN-109D3MH	PCN-109D3MH	5-1461491-2	107-79043 (TRAY)	108-79607		
6V	PCN-106D3MH	PCN-106D3MH	5-1461491-1	107-79043 (TRAY)	108-79606		
5V	PCN-105D3MH	PCN-105D3MH	5-1461491-0	107-79043 (TRAY)	108-79605		
4.5V	PCN-104D3MH	PCN-104D3MH	4-1461491-9	107-79043 (TRAY)	108-79604		
3V	PCN-103D3MH	PCN-103D3MH	4-1461491-8	107-79043 (TRAY)	108-79603		
24V	PCN-124D3M	PCN-124D3M	4-1461491-7	107-79043 (TRAY)	108-79602	STANDARD INSURATION PLASTIC SEALED TYPE	A
23.5V	PCN-123D3M	PCN-123D3M	4-1461491-6	107-79043 (TRAY)	108-79601		
18V	PCN-118D3M	PCN-118D3M	4-1461491-5	107-79043 (TRAY)	108-79600		
12V	PCN-112D3M	PCN-112D3M	4-1461491-4	107-79043 (TRAY)	108-79599		
9V	PCN-109D3M	PCN-109D3M	4-1461491-3	107-79043 (TRAY)	108-79598		
6V	PCN-106D3M	PCN-106D3M	4-1461491-2	107-79043 (TRAY)	108-79597		
5V	PCN-105D3M	PCN-105D3M	4-1461491-1	107-79043 (TRAY)	108-79596		
4.5V	PCN-104D3M	PCN-104D3M	4-1461491-0	107-79043 (TRAY)	108-79595		
3V	PCN-103D3M	PCN-103D3M	3-1461491-9	107-79043 (TRAY)	108-79594		
PART B	PART A	DESCRIPTION	TE PART NO	PACKING SPECIFICATION	PRODUCT SPEC	DISCRIPTION	No.

15	UV RESIN	③	①
④	14	CASE (NATURAL)	
	CASE (BLACK)		
13	EPOXY		
12	MAGNETIC WIRE		
④	11	CARD (NATURAL)	
	CARD (BLACK)		
10	ARMATURE		
9	STATIONARY CONTACT		
8	STATIONARY TERMINAL		
7	MOVABLE CONTACT		
6	MOVABLE TERMINAL		
④	5	BASE (NATURAL)	
	BASE (BLACK)		
4	CORE		
3	COIL TERMINAL B		
2	COIL TERMINAL A		
④	1	BOBBIN (BLACK ONLY)	
ITEM	DESCRIPTION		

MOLD COLOR


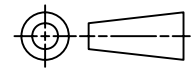
NATURAL: REINFORCED INSURATION MODEL

強化絶縁品 (IEC1131-2 Conformed)

BLACK: BASIC INSURATION MODEL

基礎絶縁品 (IEC1131-2 Conformed)

PARTS LIST

THIS DRAWING IS A CONTROLLED DOCUMENT FOR TYCO ELECTRONICS CORPORATION IT IS SUBJECT TO CHANGE AND THE CONTROLLING ENGINEERING ORGANIZATION SHOULD BE CONTACTED FOR THE LATEST REVISION.		DWN	 <b>Tyco Electronics</b> Tyco Electronics Corporation Shenzhen, China	
		CHK		
DIMENSIONS: mm		APVD	NAME	
		PRODUCT SPEC	PCN-D3M** CUSTOMER DRAWING	
TOLERANCES UNLESS OTHERWISE SPECIFIED:		APPLICATION SPEC	RESTRICTED TO	
0 PLC ±		WEIGHT	SIZE	CAGE CODE
1 PLC ±		CUSTOMER DRAWING	A3	00779
2 PLC ±			DRAWING NO	1461491
3 PLC ±		SCALE	5 : 1	SHEET
4 PLC ±		3 OF 3	REV	E
ANGLES ±				
MATERIAL				
FINISH				