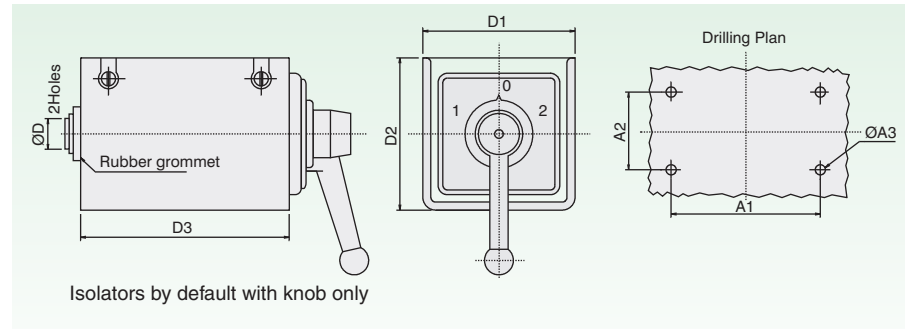


Cam Operated Rotary Switches

M17



Metal Enclosure



Features:

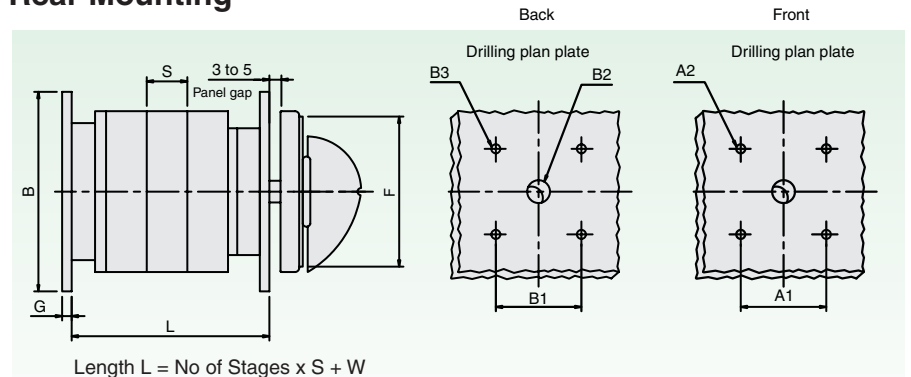
- Switches mounted in sheet metal Enclosures provides protection from hazardous environment
- Knob/Handle operatable
- Suitable for Switches upto 32Amp

Type	A1	A2	A3	D1	D2	D3	Max
S6/S10/TP6/TP10	70	60	6	85	89	98	4
S16/TP16/RT16/TP20/RT20	70	60	6	85	89	98	4
S25/S32/RT25/RT32	70	60	6	85	89	98	4
16A Forward/OFF/Reverse Only	70	60	5	75	75	110	--

B02



Rear Mounting



Features:

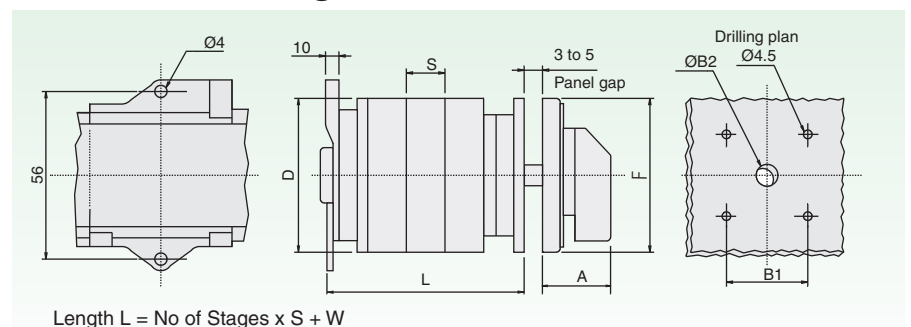
- Four hole base mounted on rear side of the panel
- Knob/Handle operatable
- Can also be used for panel/door mounting

Type	A	A1	B1	B2	B3	F	B	G	S	W	Max
S6/S10/TP6/TP10	28	36	36	9	4.5	48	48	4.5	9.5	26	12
S16/TP16/RT16/TP20/RT20	28	36	48	12	4.5	48	64	3.5	12	30	12
S25/S32/RT25/RT32	35	48	48	12	4.5	64	64	3.5	15	31	8
S40/S63/RT40/RT63	43	68	68	15	5.5	88	88	5	21	41	6
S80/S100/S125	43	68	100	15	5.5	88	124	5	26	48	6
S200	43	68	83	15	5.5	88	104	5	32	48	6
S400	43	68	83	15	5.5	88	104	8	64	48	3

B21



DIN Rail Mounting



Features:

- Snap mounting base on DIN EN50022 (Omega) Rail 35mm and 1.2mm thick or two hole rear mounting
- Provides easy termination
- Can also be used for panel/door mounting

Type	A	B1	B2	D	F	S	W	Max
S6/S10/TP6/TP10	28	36	9	38	48	9.5	28.5	10
S16/TP16/RT16/TP20/RT20	28	36	12	58	48	12	37	12
S25/S32/RT25/RT32	35	48	12	64	64	15	38	8