


# 40x40x20 mm

6.3~10.8 CFM



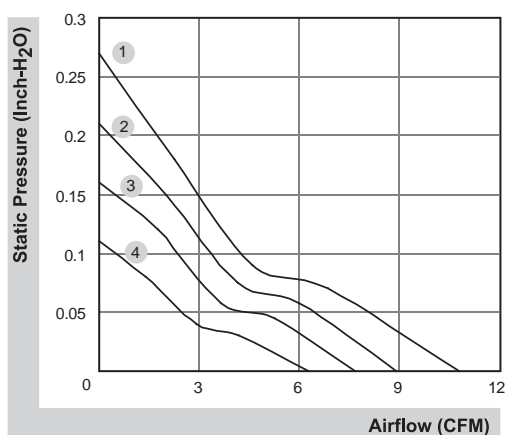
■ Specifications

|  | Bearing | Rating Voltage | Power Current | Power Consumption | Speed | Air Flow | Static Pressure         | Noise   | Weight | Curve |
|---|---------|----------------|---------------|-------------------|-------|----------|-------------------------|---------|--------|-------|
|   | ● VAPO  | (VDC)          | (mA)          | (WATTS)           | (RPM) | (CFM)    | (Inch-H <sub>2</sub> O) | (dB(A)) | (g)    |       |
| MB40200V1-000U-A99  | ●       | 5              | 190           | 0.95              | 7200  | 8.9      | 0.21                    | 25.5    | 30.0   | 2     |
| MB40200V2-000U-A99  | ●       | 5              | 123           | 0.62              | 6200  | 7.7      | 0.16                    | 21.0    | 30.0   | 3     |
| MB40200V3-000U-A99  | ●       | 5              | 81            | 0.41              | 5200  | 6.3      | 0.11                    | 18.0    | 30.0   | 4     |
| MB40201VX-000U-A99  | ●       | 12             | 115           | 1.38              | 8200  | 10.8     | 0.27                    | 27.5    | 31.0   | 1     |
| MB40201V1-000U-A99  | ●       | 12             | 70            | 0.84              | 7200  | 8.9      | 0.21                    | 25.5    | 31.0   | 2     |
| MB40201V2-000U-A99  | ●       | 12             | 50            | 0.60              | 6200  | 7.7      | 0.16                    | 21.0    | 31.0   | 3     |
| MB40201V3-000U-A99  | ●       | 12             | 40            | 0.48              | 5200  | 6.3      | 0.11                    | 18.0    | 31.0   | 4     |
| MB40202VX-000U-A99  | ●       | 24             | 64            | 1.54              | 8200  | 10.8     | 0.27                    | 27.5    | 31.0   | 1     |
| MB40202V1-000U-A99  | ●       | 24             | 50            | 1.20              | 7200  | 8.9      | 0.21                    | 25.5    | 31.0   | 2     |
| MB40202V2-000U-A99  | ●       | 24             | 33            | 0.80              | 6200  | 7.7      | 0.16                    | 21.0    | 31.0   | 3     |

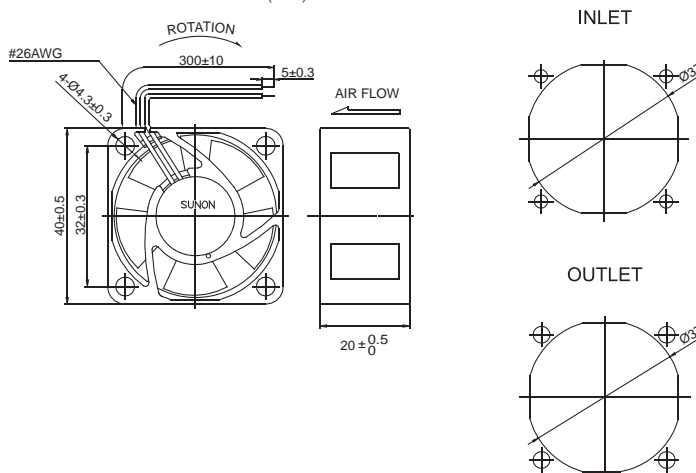
  

| Model              | Bearing        | Rating Voltage | Power Current | Power Consumption | Speed | Air Flow | Static Pressure         | Noise   | Weight | Curve |
|--------------------|----------------|----------------|---------------|-------------------|-------|----------|-------------------------|---------|--------|-------|
|                    | ○ 2BALL Sleeve | (VDC)          | (mA)          | (WATTS)           | (RPM) | (CFM)    | (Inch-H <sub>2</sub> O) | (dB(A)) | (g)    |       |
| EB40200S1-000U-999 | ○              | 5              | 218           | 1.09              | 7200  | 8.9      | 0.21                    | 25.5    | 30.0   | 2     |
| EB40200S2-000U-999 | ○              | 5              | 140           | 0.70              | 6200  | 7.7      | 0.16                    | 21.0    | 30.0   | 3     |
| EB40200S3-000U-999 | ○              | 5              | 100           | 0.50              | 5200  | 6.3      | 0.11                    | 18.0    | 30.0   | 4     |
| EB40201SX-000U-999 | ○              | 12             | 120           | 1.44              | 8200  | 10.8     | 0.27                    | 27.5    | 31.0   | 1     |
| EB40201S1-000U-999 | ○              | 12             | 90            | 1.08              | 7200  | 8.9      | 0.21                    | 25.5    | 31.0   | 2     |
| EB40201S2-000U-999 | ○              | 12             | 63            | 0.76              | 6200  | 7.7      | 0.16                    | 21.0    | 31.0   | 3     |
| EB40201S3-000U-999 | ○              | 12             | 45            | 0.54              | 5200  | 6.3      | 0.11                    | 18.0    | 31.0   | 4     |
| EB40202S1-000U-999 | ○              | 24             | 54            | 1.30              | 7200  | 8.9      | 0.21                    | 25.5    | 31.0   | 2     |
| EB40202S2-000U-999 | ○              | 24             | 33            | 0.80              | 6200  | 7.7      | 0.16                    | 21.0    | 31.0   | 3     |

■ Air Flow-Static Pressure Characteristics



■ External dimensions(mm)



\*All model could be customized. Please contact with Sunon Sales.

\*Specifications are subject to change without notice. Please Visit SUNON website at <http://www.sunon.com> for update information.