


# 40x40x10 mm

7.0~9.9 CFM

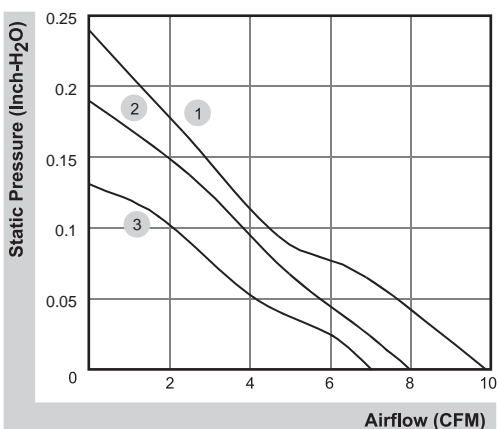


■ Specifications

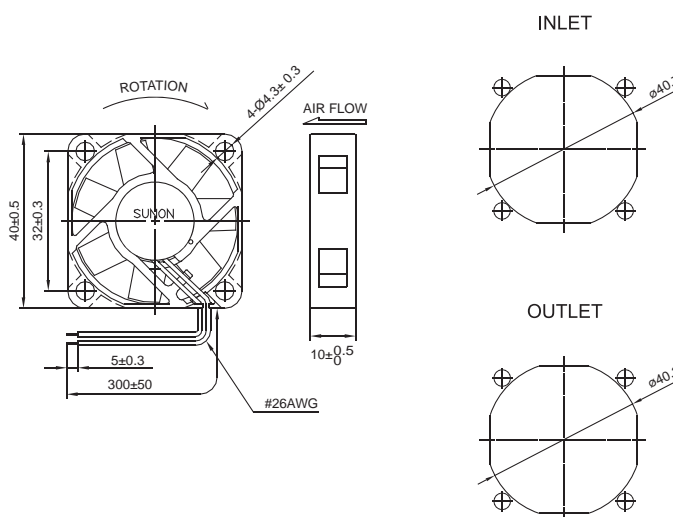
|  | Bearing | Rating Voltage | Power Current | Power Consumption | Speed | Air Flow | Static Pressure         | Noise   | Weight | Curve |
|---|---------|----------------|---------------|-------------------|-------|----------|-------------------------|---------|--------|-------|
|   | ● VAPO  | (VDC)          | (mA)          | (WATTS)           | (RPM) | (CFM)    | (Inch-H <sub>2</sub> O) | (dB(A)) | (g)    |       |
| ME40100V1-000U-A99  | ●       | 5              | 215           | 1.08              | 7000  | 8.0      | 0.19                    | 32.0    | 13.5   | 2     |
| MB40100V2-000U-A99  | ●       | 5              | 180           | 0.90              | 5800  | 7.0      | 0.11                    | 27.0    | 17.0   | 3     |
| ME40101VX-000U-A99  | ●       | 12             | 130           | 1.60              | 8500  | 9.9      | 0.24                    | 36.1    | 15.0   | 1     |
| ME40101V1-000U-A99  | ●       | 12             | 90            | 1.08              | 7000  | 8.0      | 0.19                    | 32.0    | 13.5   | 2     |
| MB40101V2-000U-A99  | ●       | 12             | 80            | 0.96              | 5800  | 7.0      | 0.11                    | 27.0    | 17.0   | 3     |

| Model              | Bearing        | Rating Voltage | Power Current | Power Consumption | Speed | Air Flow | Static Pressure         | Noise   | Weight | Curve |
|--------------------|----------------|----------------|---------------|-------------------|-------|----------|-------------------------|---------|--------|-------|
|                    | ○ 2BALL Sleeve | (VDC)          | (mA)          | (WATTS)           | (RPM) | (CFM)    | (Inch-H <sub>2</sub> O) | (dB(A)) | (g)    |       |
| EE40100S1-000U-999 | ○              | 5              | 235           | 1.18              | 7000  | 8.0      | 0.19                    | 32.0    | 13.5   | 2     |
| EB40100S2-000U-999 | ○              | 5              | 205           | 1.00              | 5800  | 7.0      | 0.13                    | 27.0    | 17.0   | 3     |
| EE40101S1-000U-999 | ○              | 12             | 100           | 1.20              | 7000  | 8.0      | 0.19                    | 32.0    | 13.5   | 2     |
| EB40101S2-000U-999 | ○              | 12             | 90            | 1.08              | 5800  | 7.0      | 0.13                    | 27.0    | 17.0   | 3     |

■ Air Flow-Static Pressure Characteristics



■ External dimensions(mm)



\*All model could be customized. Please contact with Sunon Sales.

\*Specifications are subject to change without notice. Please Visit SUNON website at <http://www.sunon.com> for update information.