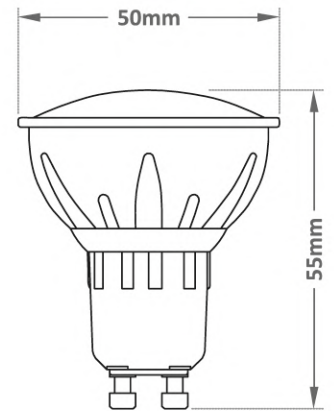


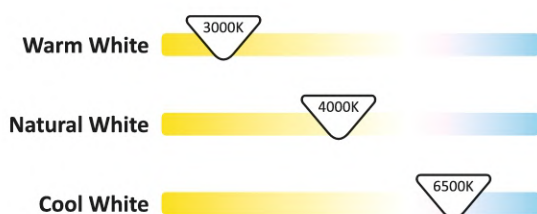


GU 10



LVD 2006/95/EC  
EMC 2014/30/EU  
TÜV SÜD GS geprüfte Sicherheit  
IP44  
CE RoHS 2002/95/EC ErP

- Temperature Range: -20°C to 50°C
- 30000 Hours
- on/off x 20000
- No Dimmable
- Beam Angle 120°
- CRI >80
- GU10
- 7-12 Watt
- Voltage 170V-240V
- 560-1200 Lumen
- Sketch
- Type of chip Q5



Code	Lumen	Power	Packing Rate	Description
01.3056	560 lm	7W	20/200Pcs	GU10
01.4056	580 lm	7W	20/200Pcs	GU10
01.6056	600 lm	7W	20/200Pcs	GU10
01.3058	960 lm	10W	20/200Pcs	GU10
01.4058	980 lm	10W	20/200Pcs	GU10
01.6058	1000 lm	10W	20/200Pcs	GU10
01.3096	960 lm	10W	20/200Pcs	GU10 (dimmable)
01.4096	980 lm	10W	20/200Pcs	GU10 (dimmable)
01.6096	1000 lm	10W	20/200Pcs	GU10 (dimmable)
01.3059	1160 lm	12W	20/200Pcs	GU10 (ceramic)
01.4059	1180 lm	12W	20/200Pcs	GU10 (ceramic)
01.6059	1200 lm	12W	20/200Pcs	GU10 (ceramic)

