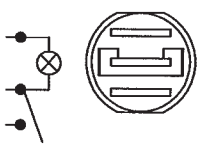
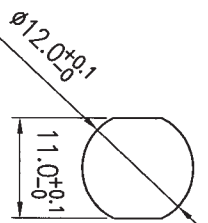


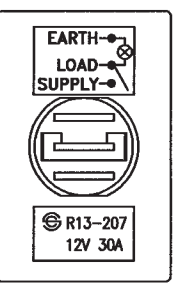
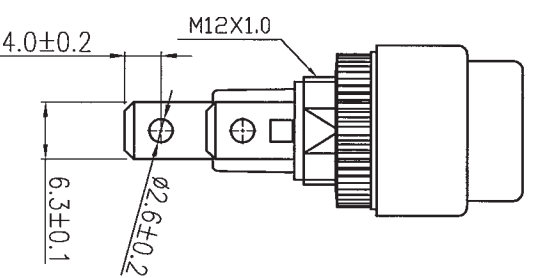
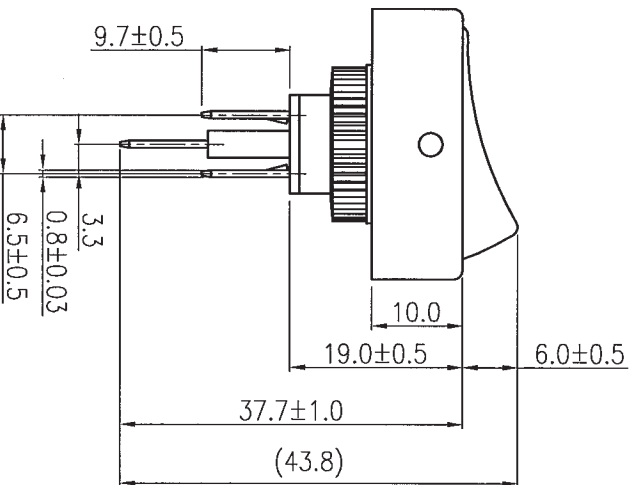
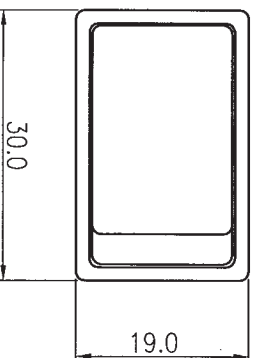
Rating	30A 12VDC
Contact Resistance	50m ohm Max.
Insulation Resistance	DC 500V 100M ohm Min.
Dielectric Strength	AC 1500V 1 minute
Switch Function	3P SPST ON-OFF (Bulb dependent)

Mounting Hole

Circuit Diagram



Material:  
 Frame: Nylon#66, Black  
 Actuator: PC, Red clear  
 Printed: None



Tolerances Unless Otherwise Specified ±0.3

Date	Name	Description				No.
Drawn	Checked	Approved	SCI BOM No.	1820971	Model Name	ROCKER SWITCH
曹盈芳		<i>FMM</i>	Customer No.		Model No.	R13-207B-01
04/27/16		<i>4/27/16</i>	Unit	mm	Shin Chin Industrial Co., Ltd.	
					Rev.	0