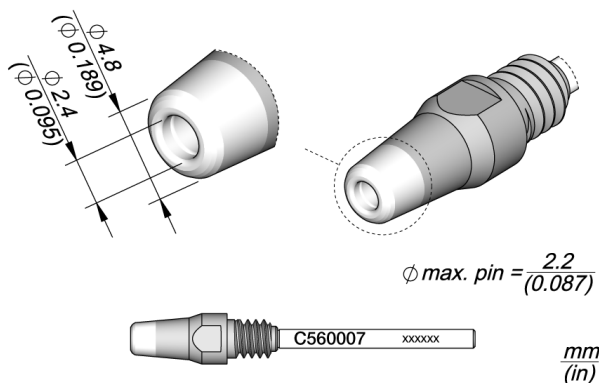


JBC C560007

Through hole desoldering Ø 2.4

JBC**FREE**
TEST **30**
DAYS

JBC Long Life Tips offer instant heat up,
excellent heat transfer and great durability.

**REFERENCE****C560007****SPECIFICATIONS****Net weight** 0,006 kg (0.01lb)**DIMENSIONS AND WEIGHT****Package** 155 x 55 x 45 mm / 0.02 kg.
6 10 x 2 17 x 1 77 in / 0 04 lb