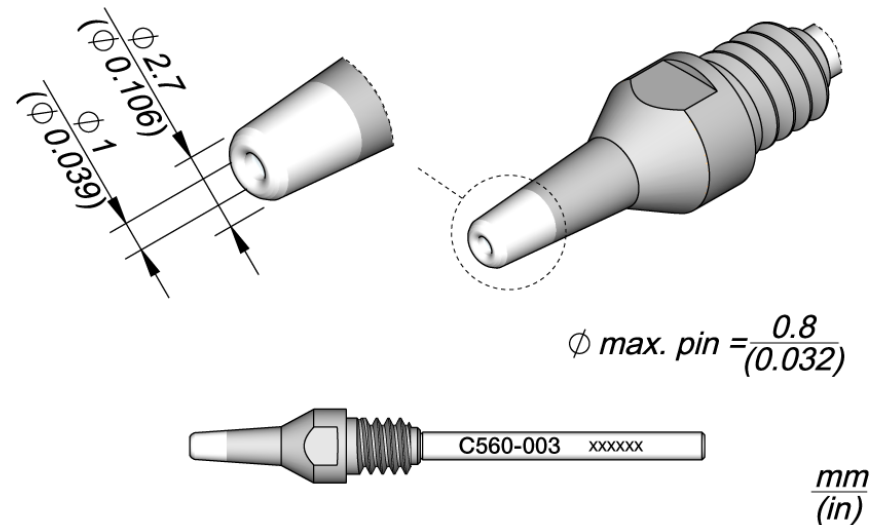


JBC C560003

Through hole desoldering Ø 1

JBC Long Life Tips offer instant heat up, excellent heat transfer and great durability.



SPECIFICATIONS

Net weight	0,006 kg (0.01lb)
Package weight	19 gr (0.04 lb)
Package dimensions	155 x 55 x 45 mm 6.10 x 2.17 x 1.77 in