

# JBC C420288

## Cartridge QFP 14.5

JBC



FREE  
TEST  
30  
DAYS



### CARTRIDGE FOR QFP AND PLCC PACKAGE

These cartridges are specially appropriate for desoldering QFP and PLCC.

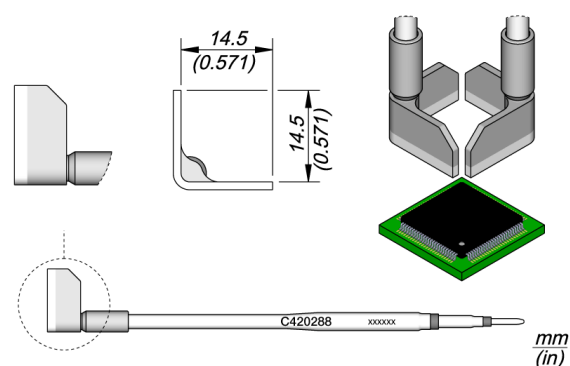
C420 cartridges are appropriate for soldering and desoldering SMD components, reducing handling time.

This range works with Thermal Tweezers which enables aligning cartridges and user needs.

JBC Long Life Tips offer instant heat up, excellent heat transfer and great durability.

They last 5 times longer than other brands thanks to the JBC Most Efficient Soldering System and the Sleep & Hibernation features.

**Cartridges are sold individually**



## REFERENCE

**C420288**

## SPECIFICATIONS

**Net weight** 0,01 kg (0.02lb)

### DIMENSIONS AND WEIGHT

**Package** 170 x 28 x 20 mm / 0.02 kg.  
6.69 x 1.10 x 0.79 in / 0.03 lb