

JBC C420277

Cartridge Blade 15.0

JBC



FREE
TEST
30
DAYS



These cartridges are specially appropriate for desoldering Dual In-line packages.

C420 cartridges are appropriate for soldering and desoldering SMD components, reducing handling time.

This range works with Thermal Tweezers which enables aligning cartridges and user needs.

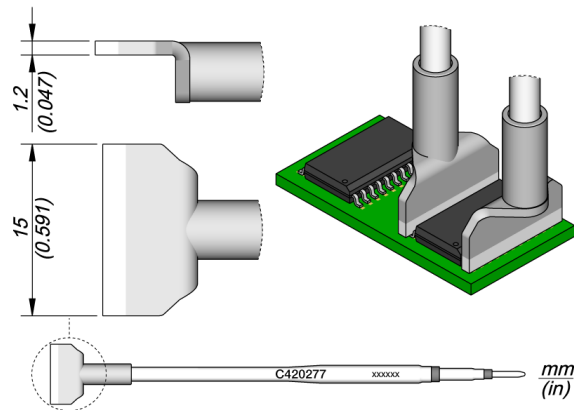
JBC Long Life Tips offer instant heat up, excellent heat transfer and great durability.

They last 5 times longer than other brands thanks to the JBC Most Efficient Soldering System and the Sleep & Hibernation features.

Cartridges are sold individually

REFERENCE

C420277



SPECIFICATIONS

Net weight 0,009 kg (0.02lb)

DIMENSIONS AND WEIGHT

Package 170 x 28 x 20 mm / 0.01 kg.
6.69 x 1.10 x 0.79 in / 0.03 lb