

1. PVC FLEXIBLE CORD

1.1 SCOPE

This specification shall be in accordance with **EN 50525-2-11**
Polyvinyl chloride insulated cables of rated voltages up to and including 450/750 V

1.2 CONSTRUCTION

| | |
|------------|---|
| CONDUCTOR | ANNEALED COPPER WIRE |
| INSULATION | PVC(Blue, Brown, Green / Yellow) MEAN VALUE OF THICKNESS : MIN.0.6mm |
| SHEATH | PVC MEAN VALUE OF THICKNESS : MIN.0.8mm |

| ITEM | UNIT | SPEC.VALUE | |
|------------------------------------|--------------|-----------------|--------------------|
| RATED VOLTAGE (U ₀ /U) | V/V | 300/500 | |
| NO. OF CORE | NO. | 3 | |
| CONDUCTOR | NOMINAL AREA | mm ² | 1.0 |
| | CONSTRUCTION | NO/mm | 40/0.18 or 32/0.20 |
| THICKNESS OF INSULATION | mm | 0.6 | |
| THICKNESS OF SHEATH | mm | 0.8 | |
| NOMINAL OVERALL DIAMETER | mm | 7.0±0.2 | |
| CONDUCTOR RESISTANCE(AT 20°C) | ohm/km | 19.5(Max.) | |
| TEST VOLTAGE | V/min | 2000/15 | |

1.3 SOURCE FOR FLEXIBLE CORD

- LIAN DUNG
- RHYTHM
- I-SHENG

2. PLUG

2.1 SCOPE

The plug shall be in accordance with CEE 7
Specification for Plugs and Socket-Outlets for Domestic and Similar Purposes

2.2 CONSTRUCTION

The plug construction shall be in accordance with our Catalogue
NO.LT-322

2.3 CHARACTERISTICS

| NO | TEST ITEM | SPEC. VALUE | TEST RESULTS |
|----|----------------------------|--|----------------------------|
| 1. | Moisture resistance test | Samples are kept in a humidity cabinet containing air with a relative humidity between 91 to 95% and a temperature of 20~30°C for a duration of 48 hours. | No damage |
| 2. | Electric strength test | A voltage of A.C.2000V is applied for 1min.after the moisture resistance test. | No flashover and breakdown |
| 3. | Insulation resistance test | This test is measured with a D.C.500V after the moisture resistance test. | Min 5 M Ohm |
| 4. | Normal operation test | The plug is inserted into and withdraw from the socket-outlets 5000 times at rated current. And they shall withstand an electric strength. | Withstand 1500v/1min |
| 5. | Temperature rise test | An alternating current of 10A is passed through poles for 1 hours. | Max.45°C at any points |
| 6. | Bending test | The samples shall be loaded with a weight of 10N(1.02kg) and the oscillating number shall be moved backward and forward through an angle of 90°(45°on either side of the vertical) the number of flexing being 10,000.The rated current of plug is passed through the conductors.After the test, the voltage drop shall not exceed 10mv. | No damage |

| NO | TEST ITEM | SPEC. VALUE | TEST RESULTS |
|-----|---|---|--------------|
| 7. | Tumbling test | The samples are dropped from a height of 50cm onto a steel plate (3mm thick) for a total of 1000 times. | No damage |
| 8. | Cold impact test | The samples are kept in a refrigerator at a temperature of $-15\pm 2^{\circ}\text{C}$, for at least 16 hours The samples are then allowed to fall by the hammer from a height of 10cm. | No damage |
| 9. | Abrasion test | The pin of sample slopes downwards at angles of 10 to the horizontal. The sample is loaded with a force of 4N(0.41kg) on the pin. The number of movement is 10000, and the length of pin subjected to abrasion is approximately 7mm over the insulating collar. | No damage |
| 10. | Heat deformation test | The samples are kept for 1 hour in a heating cabinet at temperature of $100\pm 5^{\circ}\text{C}$. | No damage |
| 11. | Heat pressure test | The samples are applied 20N(2.04kg) at a temperature of $80\pm 2^{\circ}\text{C}$ for 1 hr. | No damage |
| 12. | Aging test | The samples are kept for 168 hours in a heating cabinet at temperature of $80\pm 2^{\circ}\text{C}$. | No damage |
| 13. | Deformation resistance at higher temperature test | The test temperature is 70°C for 6 hours .The test weight is 1N(0.11kg). The diameter of the ball impression shall not be greater than 3mm. | No damage |
| 14. | Pressure test | The samples are applied 300N(30.6kg) at a temperature of $20\pm 2^{\circ}\text{C}$ for 1min. | No damage |

3. CONNECTOR

3.1 SCOPE

The connector shall be in accordance with CEE IEC 320 (Appliance coupler).

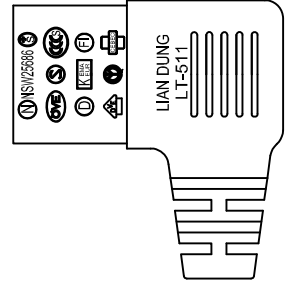
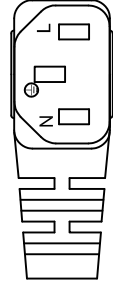
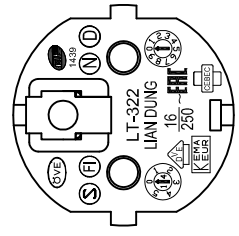
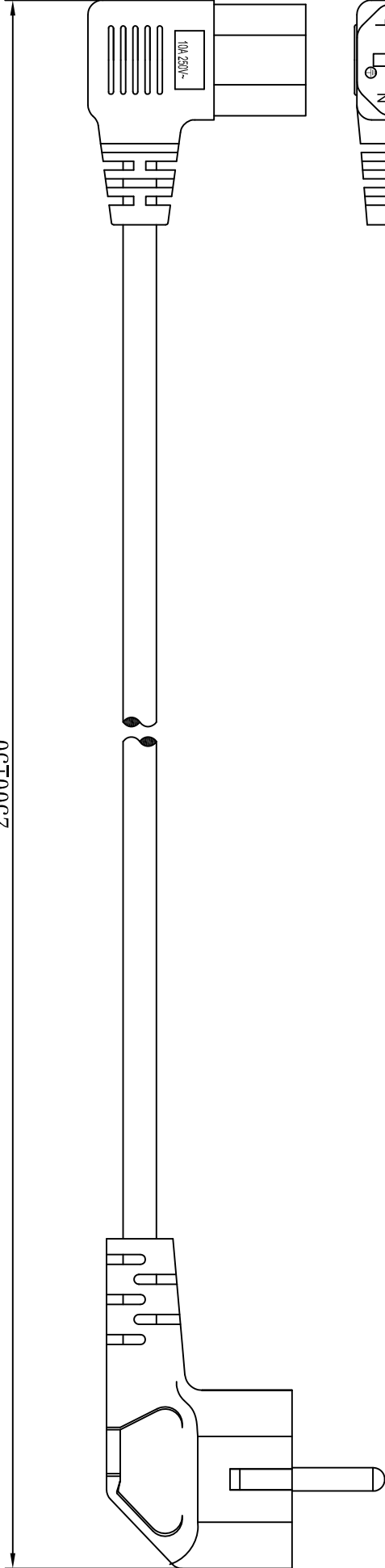
3.2 CONSTRUCTION

The connector construction shall be in accordance with our Catalogue NO.LT-511.

3.3 CHARACTERISTICS

| NO | TEST ITEM | SPEC. VALUE | TEST RESULTS |
|----|----------------------------|---|----------------------------|
| 1. | Moisture resistance test | Samples are kept in a humidity cabinet containing air with a relative humidity between 91 to 95% and a temperature of 20~30°C for a duration of 48 hours. | No damage |
| 2. | Electric strength test | A voltage of A.C.2000V is applied for 1 min. after the moisture resistance test. | No flashover and breakdown |
| 3. | Insulation resistance test | This test is measured with a D.C.500V after the moisture resistance test. | Min.5 M Ohm. |
| 4. | Flexing test | The sample shall be loaded with a weight of 10N(1.02kg) and the oscillating number shall be moved backward and forward through an angle of 90°(45°on either side of the vertical) the number of flexing being 20,000. The sample is turned through 90°after 5000 flexing. | No damage |
| 5. | Tumbling test | The samples are drop from a height of 50cm onto a plywood base(10mm thick) for a total of 1000 times | No damage |
| 6. | Cold test | The samples are kept in a refrigerator at a temperature of -15±2°C, for 1 hour. | No damage |
| 7. | Heat Deformation test | The samples are kept for 1 hour in a heating cabinet at temperature of 70±2°C. | No damage |

2500±50

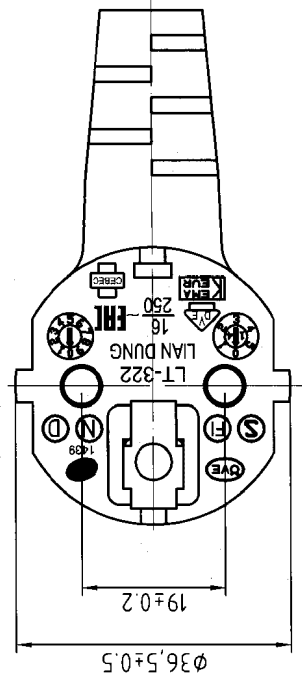
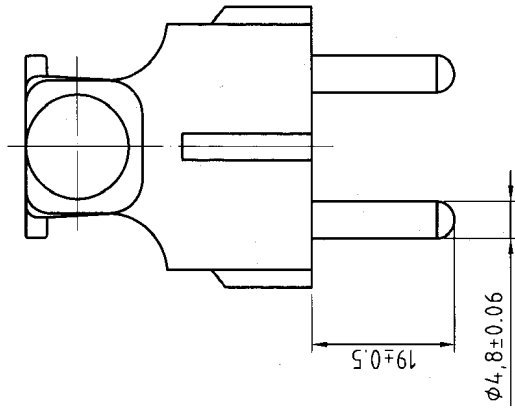
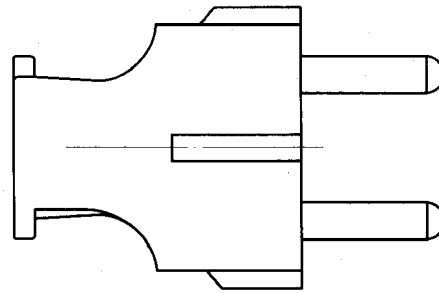
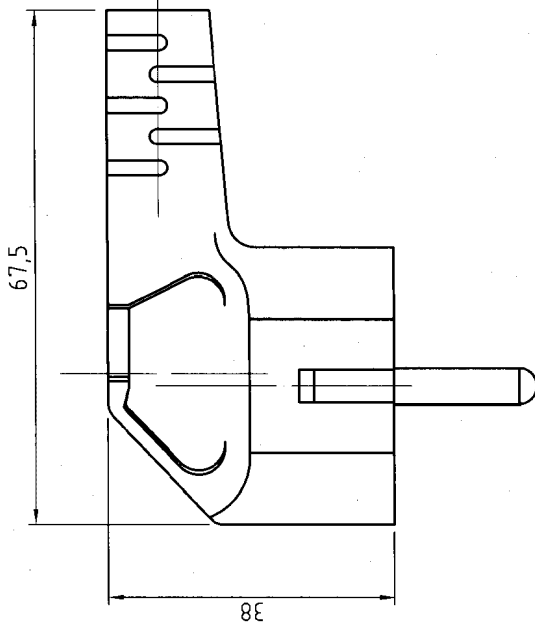
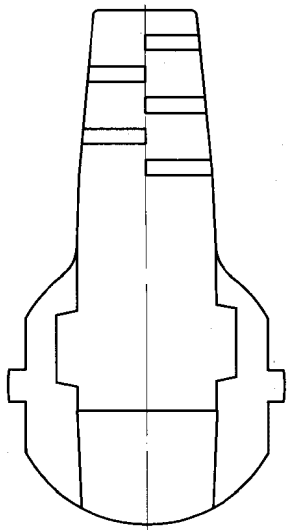


NOTE :

1. PLUG : LT-322 EUROPEAN TYPE
2. CONNECTOR : LT-511R IEC-320 C13
3. CORD : H05VV-F 3G1.0mm² BLK、GRY、WHT 2.5m
4. APPROVALS : OVE SEMKO FIMKO VDE KEMA CEBC EAC NEMKO DEMKO LCIE
5. CUSTOMER : TME
6. Supplier for flexible cord : RHYTHM、I-SHENG、LIAN DUNG
7. P/N : SN312-3/10/2.5B、SN312-3/10/2.5G、SN312-3/10/2.5W

| 3. | DRAWER | DATE | TITLE | ALL DIMENSIONS IN mm |
|------|-------------|----------|-------------|----------------------|
| 2. | Qummin | 18/03/14 | LT-322+511R | 1010926 |
| 1. | APPROVE | 2 | REV. | ±5mm |
| PART | DESCRIPTION | DATE | 比例 | ALL DIMENSIONS IN mm |


LIAN DUNG
 ELECTRIC WIRE MATERIAL CO.,LTD.
 聯東電線材料股份有限公司



| PART | DESCRIPTION | DATE | DRAWER | DATE | REV. | TITLE | LT-322-CB |
|------|-------------|------|------------|----------|--------|----------------------|-----------|
| 1. | | | 蔡惠青 林明宗 | 15/04/13 | 11 | Dr.No. | C322001 |
| 2. | | | | | | TOL. | ±1.2mm |
| 3. | | | | | 比例 1:1 | ALL DIMENSIONS IN mm | |


LIAN DUNG
 ELECTRIC WIRE MATERIAL CO.,LTD.
 聯東電線材料股份有限公司

