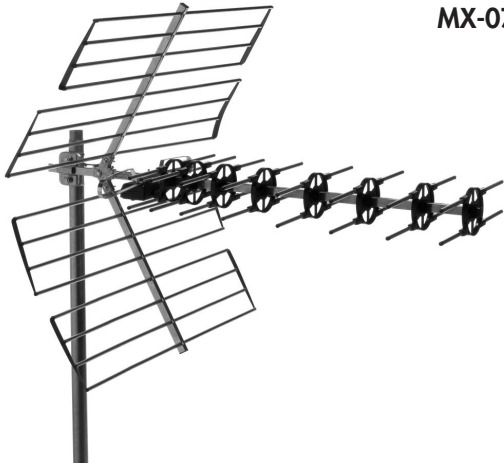


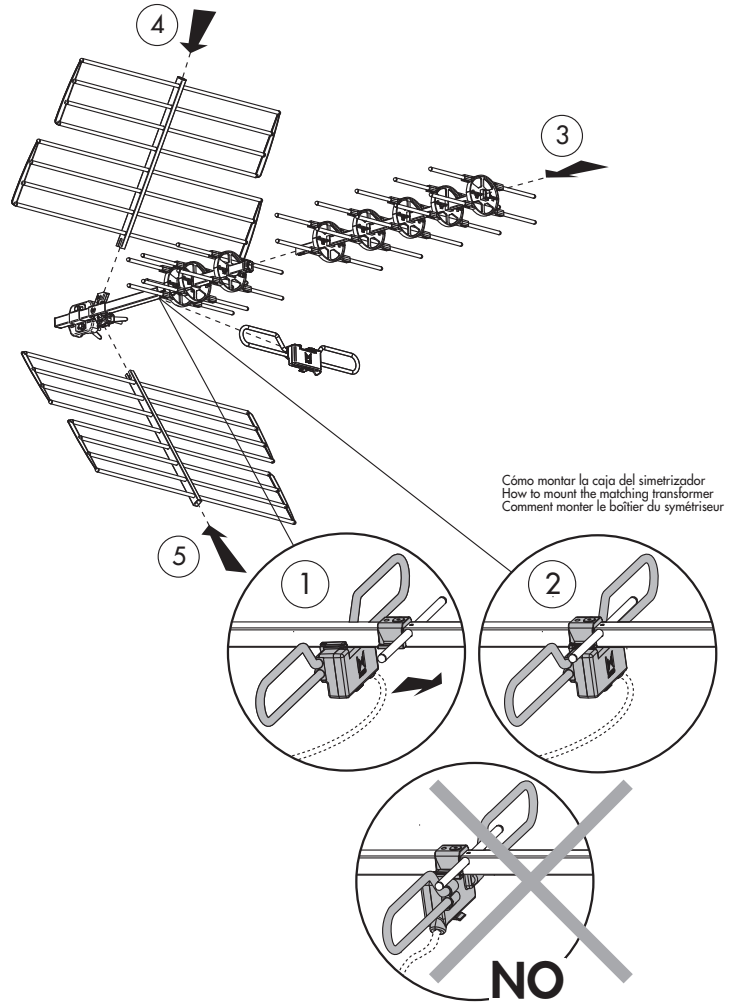


CÓMO MONTAR LA ANTENA MX-045  
 HOW TO MOUNT THE ANTENNA MX-045  
 COMMENT MONTER L'ANTENNE MX-045

ANTENAS TV BANDA UHF  
 TV ANTENNAS UHF BAND  
 ANTENNES TV BANDE UHF

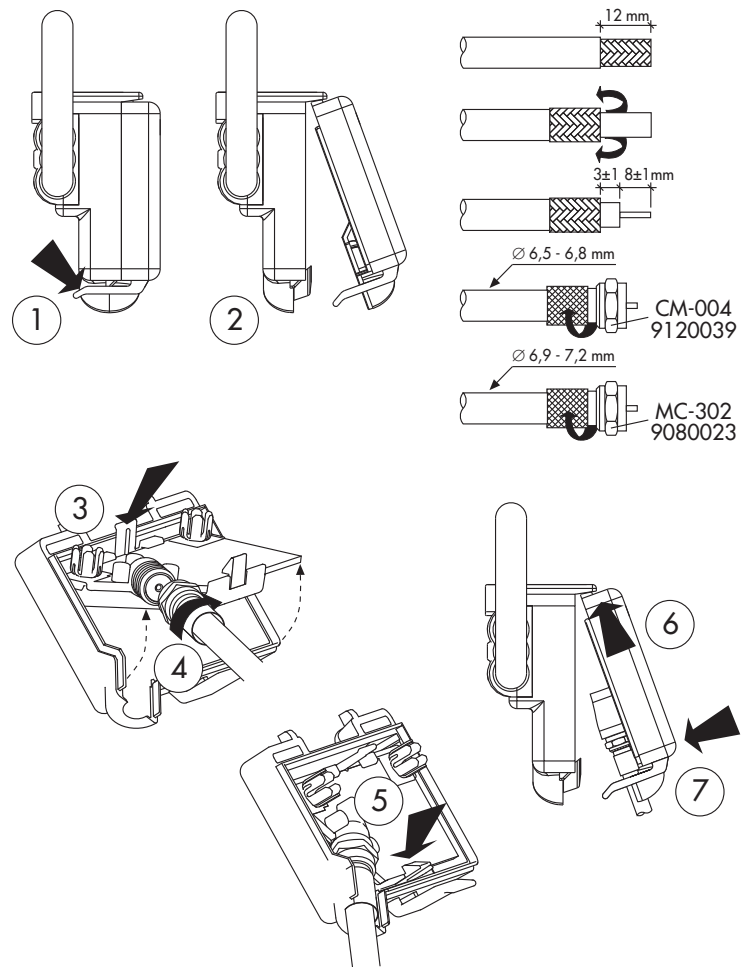
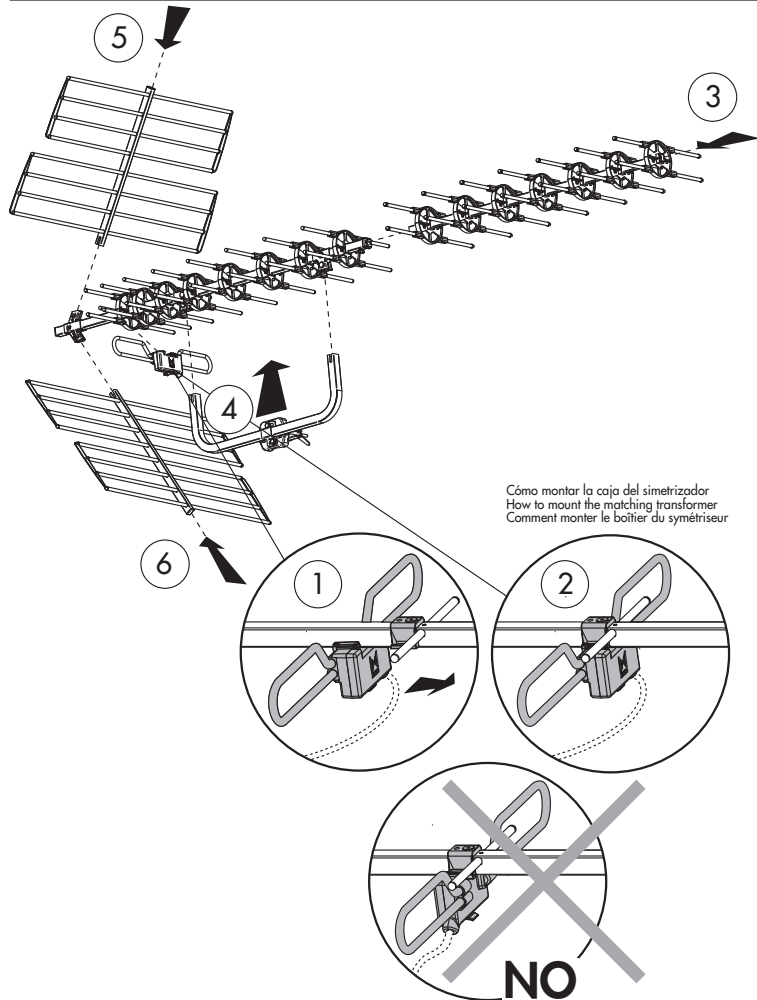


**SERIE 900 SERIES**

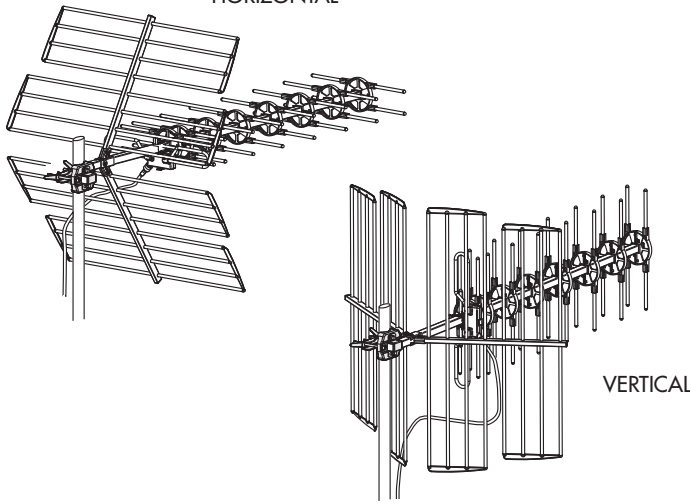


CÓMO MONTAR LA ANTENA MX-075  
 HOW TO MOUNT THE ANTENNA MX-075  
 COMMENT MONTER L'ANTENNE MX-075

CÓMO CONECTAR EL CABLE COAXIAL EN LA CAJA DEL SIMETRIZADOR  
 HOW TO CONNECT THE COAXIAL CABLE TO THE MATCHING TRANSFORMER  
 COMMENT RELIER LE CÂBLE COAXIAL DANS LE BOÎTIER DU SYMÉTRISEUR

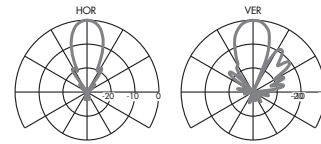
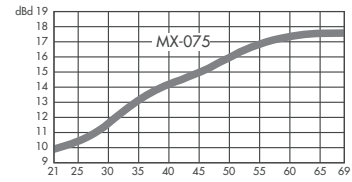
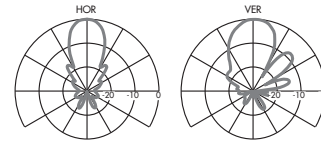
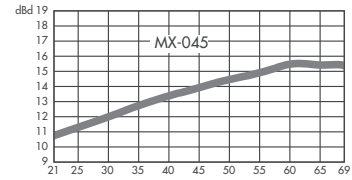
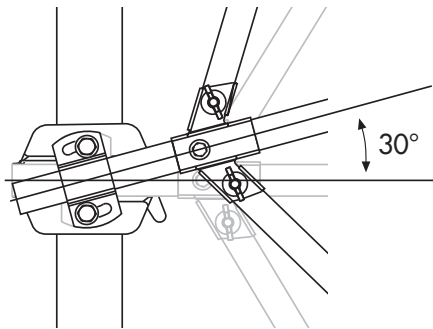


HORIZONTAL



VERTICAL

AJUSTE DEL ÁNGULO DE ELEVACIÓN  
ELEVATION ANGLE ADJUSTMENT  
RÉGLAGE DE L'ANGLE D'ELEVATION



CÓDIGO-CODE-CODE	9000044	9000045	
MODELO-MODEL-MODELE	MX-045	MX-075	
Rango de frecuencias Frequency range Gamme de fréquences	MHz	470-862	470-862
Canales Channels Canaux		21-69	21-69
Ganancia Gain Gain	dBd	15,5	17,5
Relación delante/detrás Front/back ratio Rapport avant/arriere	dB	27	35
Impedancia Impedance Impédance	$\Omega$	75	
Pérdidas de retorno Return loss Pertes de retour	dB	$\geq 10$	
Polarización Polarity Polarisation		HOR / VER	
Ángulo de apertura Beam width Angle d'ouverture	$^{\circ}$ H	32	22
	$^{\circ}$ V	33	29
Longitud Length Longueur	mm	1152	1792
Resistencia al viento Wind loading Résistance au vent	N	H 111 V 126	158 167
Índice de protección Protection index Indice de protection		IP 53	

Todas las antenas incorporan simetizador.  
All antennas supplied with matching transformer.  
Toutes les antennes ont un symétriseur.



DECLARATION OF CONFORMITY

according to EN ISO/IEC 17050-1:2004

**Manufacturer's Name:** ALCAD, S.A.  
**Manufacturer's Address:** Pol. Ind. Arreche-Ugalde, 1  
Apdo. 455, 20305 IRÚN (Guipúzcoa), SPAIN

declares that the product  
**Model Number(s):** MX-045, MX-075  
**Product Description:** TV ANTENNAS UHF BAND  
**Product Option(s):** INCLUDING ALL OPTIONS

**is in conformity with:**  
Safety: EN 50083-1:1993

The product herewith complies with the requirements of the Low Voltage Directive 2006/95/EC and the EMC Directive 2004/108/EC.

**Supplementary Information:** To comply with these directives, do not use the products without covers and operate the system as specified.



Irún (SPAIN), 15 Apr 2008

  
Francisco Navarro  
General Manager

Especificaciones sujetas a modificación sin previo aviso  
Specifications subject to modifications without prior notice  
Les spécifications sont soumises à de possible modifications sans avis préalable



ALCAD, S.A.  
Tel. 943 63 96 60  
Fax 943 63 92 66  
Int. Tel. +34 - 943 63 96 60  
info@alcad.net  
Apdo. 455 - Pol. Ind. Arreche-Ugalde, 1  
20305 IRUN - Spain  
[www.alcad.net](http://www.alcad.net)

FRANCE - Hendaye  
Tel. 00 34 - 943 63 96 60  
GERMANY - Munich  
Tel. 089 55 26 480  
CZECH REPUBLIC - Ostrovačice  
Tel. 546 427 059  
UNITED ARAB EMIRATES - Dubai  
Tel. 971 4 887 19 50

