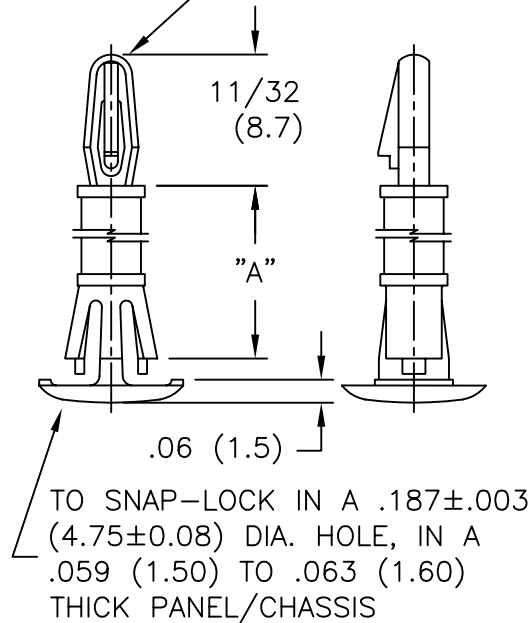
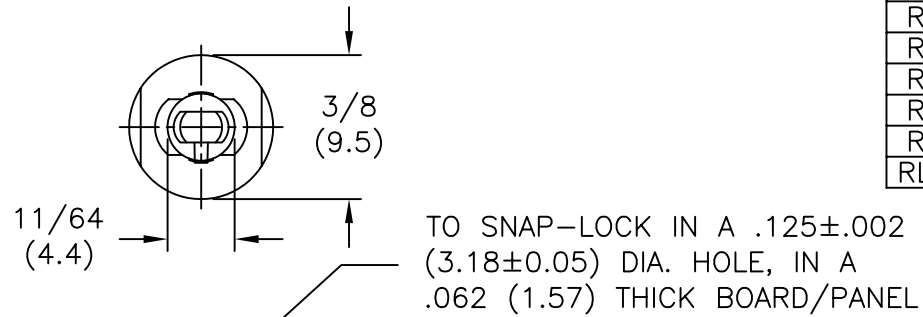


PART NO.	DIM. "A" ±.015(0.4)
RLCBSR-4-01	1/4 (6.4)
RLCBSR-5-01	5/16 (7.9)
RLCBSR-6-01	3/8 (9.5)
RLCBSR-7-01	7/16 (11.1)
RLCBSR-8-01	1/2 (12.7)
RLCBSR-9-01	9/16 (14.3)
RLCBSR-10-01	5/8 (15.9)



NOTES:

- MAT'L: NYLON 66 (RMS-01).
FLAME RETARDANT: NYLON (RMS-19),
BY SPECIAL ORDER.
- COLOR: NATURAL.

TITLE: REVERSE LOCKING CBS, ROUND HOLE					DWG IN IN (MM)	
TOLERANCES UNLESS NOTED .XX=±.010 .XXX=±.005 FRAC=1/64 ANG=1°	FILE # RLCBSR	DWN: P.B.	APP:	FINAL		
	MAT'L: SEE NOTES	DT: 07-12-94	DT:	PART #	PRINT TYPE	
	RE: RICHCO, INC.	RICHCO INC. PO BOX 804238, CHICAGO, 60680 (773) 539-4060		SEE TABLE	CA	

REV	DESCRIPTION	ENGR	DATE
C	CHANGED FILE NO. AND TITLE BLOCK	SM	05.01.01
B	MAT'L RMS-19 ADDED	J.L.	12.5.97
A	CONVERTED TO ACAD	PB	07.12.94