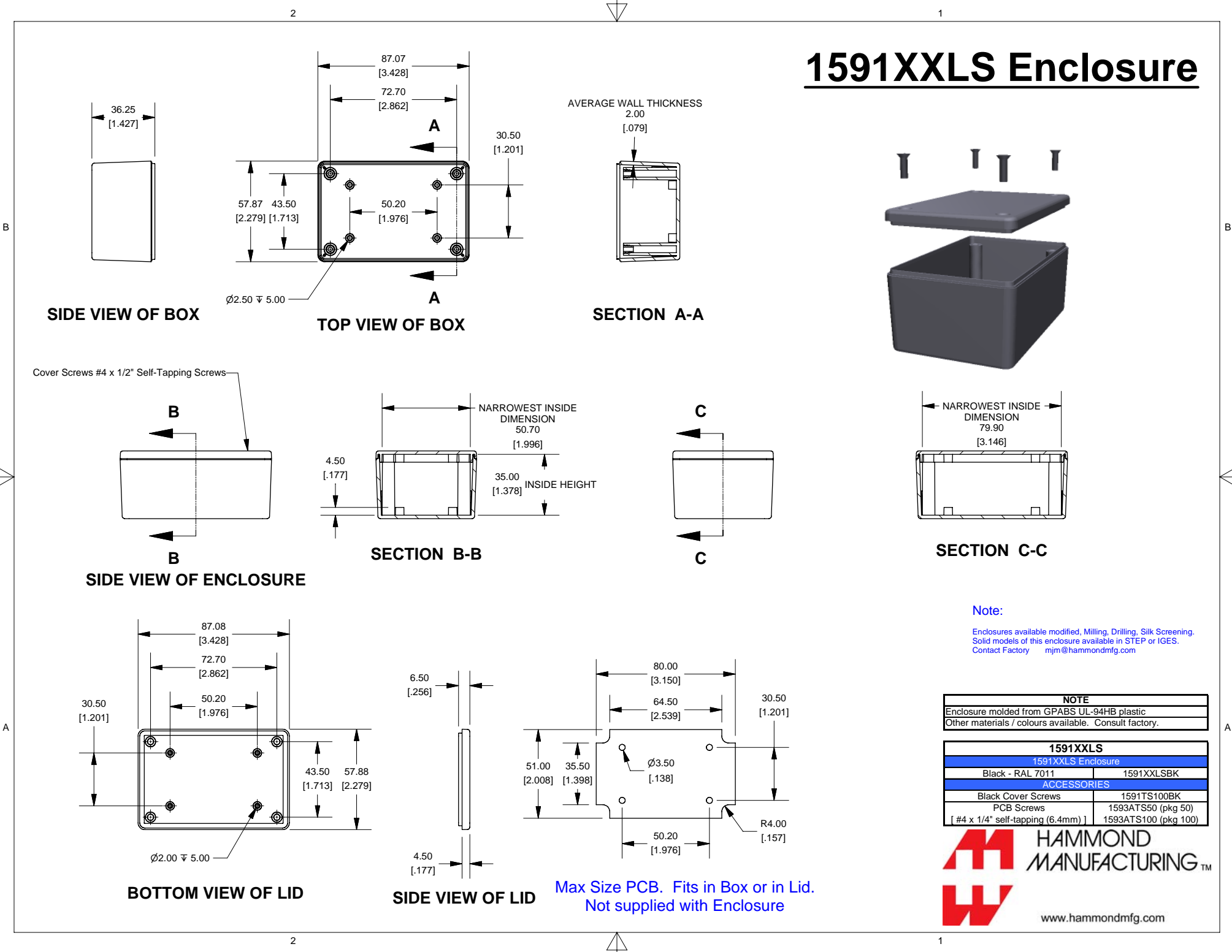


1591XXLS Enclosure



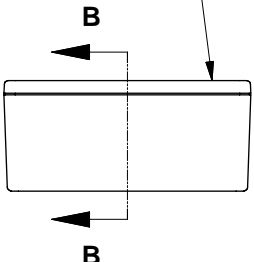
SIDE VIEW OF BOX

TOP VIEW OF BOX

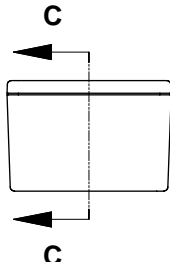
SECTION A-A



Cover Screws #4 x 1/2" Self-Tapping Screws

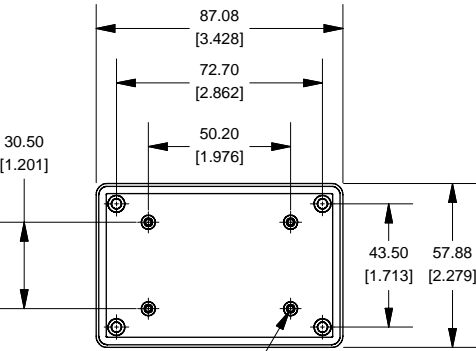


SECTION B-B

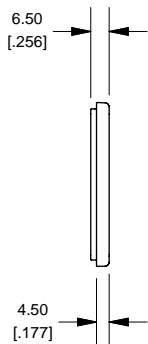


SECTION C-C

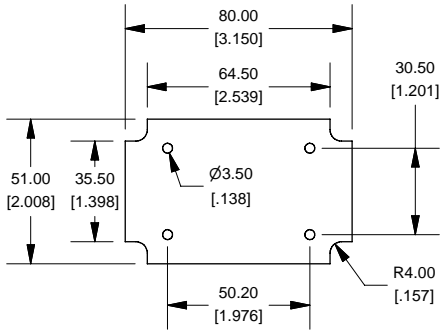
SIDE VIEW OF ENCLOSURE



BOTTOM VIEW OF LID



SIDE VIEW OF LID



Max Size PCB. Fits in Box or in Lid.
Not supplied with Enclosure

Note:
Enclosures available modified, Milling, Drilling, Silk Screening.
Solid models of this enclosure available in STEP or IGES.
Contact Factory mjm@hammondmfg.com

NOTE	
Enclosure molded from GPABS UL-94HB plastic	
Other materials / colours available. Consult factory.	

1591XXLS	
1591XXLS Enclosure	
Black - RAL 7011	1591XXLSBK
ACCESSORIES	
Black Cover Screws	1591TS100BK
PCB Screws	1593ATS50 (pkg 50)
[#4 x 1/4" self-tapping (6.4mm)]	1593ATS100 (pkg 100)

