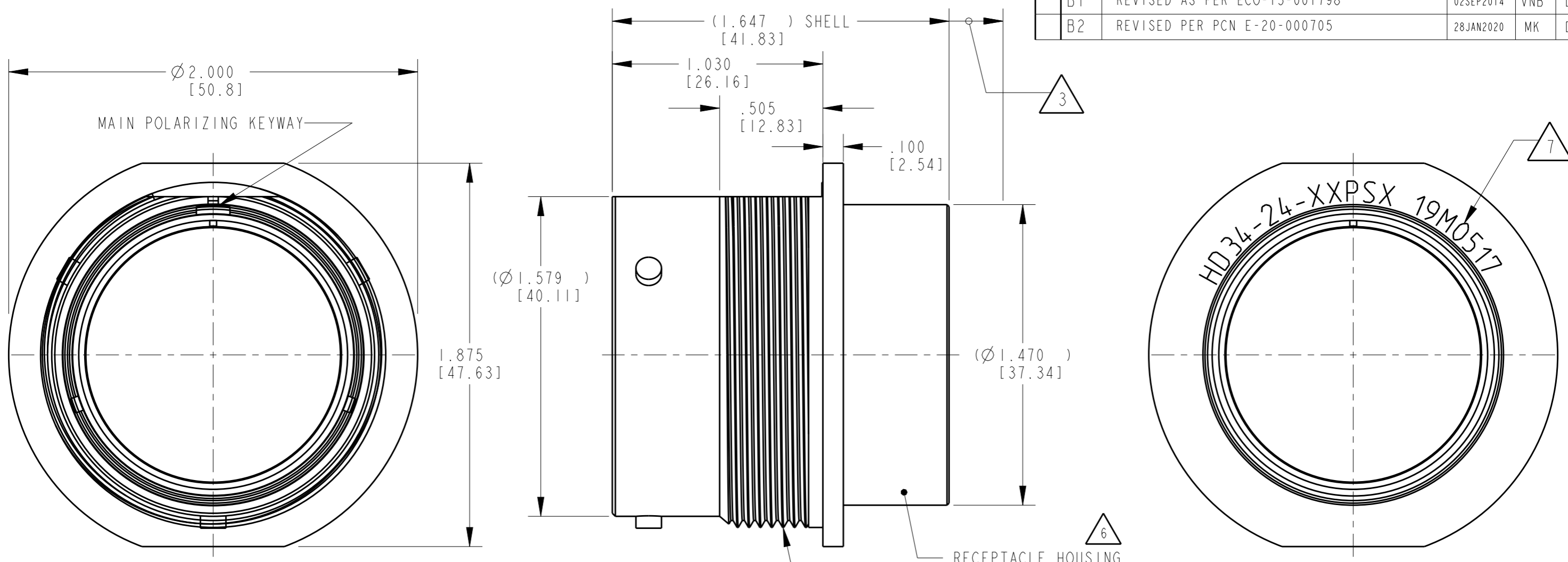


THIS DRAWING IS UNPUBLISHED
 RELEASED FOR PUBLICATION 2014
 © COPYRIGHT 2014 BY - TE CONNECTIVITY ALL RIGHTS RESERVED.

LOC	DIST	REVISIONS			
P	LTR	DESCRIPTION	DATE	DWN	APVD
-	-	A	REVISED PER E.O. P15908	05FEB1999	- RDR
-	-	B	REVISED PER E.O. P18134	23MAY2003	- RDR
-	-	B1	REVISED AS PER ECO-15-001798	02SEP2014	VNB DM
-	-	B2	REVISED PER PCN E-20-000705	28JAN2020	MK DM



7 DATE CODE: IDENTIFIES THE YEAR, MONTH, DAY AND HOUR OF ASSEMBLY.
 YEAR: FIRST AND SECOND DIGITS. (14=2014)
 MONTH: THIRD DIGIT, EXCLUDING I.A=JAN., B=FEB., C=MARCH... (K=OCT.)
 DAY: FOURTH AND FIFTH DIGIT (14=14TH DAY)
 HOUR: SIXTH AND SEVENTH DIGIT (11=11AM)

6 MATERIAL:
 RECEPTACLE HOUSING: 6061-T6 ALUMINUM ALLOY,
 GROMMET: SILICONE VMQ (RED),
 RETAINER RING: PA66 GF10.

- 5. THIS PART MATES WITH HD36-24-XXXP/SX-XXXX
- 4. PART NUMBER INFO: XX= ARRANGEMENT: X= SEAL TYPE
- 3** TOTAL DIM. WITH EXTENDED WIRE SEAL (WITH CONTACTS #4 OR #8 ONLY) = $1.870 \pm .050$ [47.50 ± 1.27].
- 2. FOR ARRANGEMENT OF CONTACT LOCATION SEE ENVELOPE DRAWING 0425-014-2400.
- 1. CONSULT THE FACTORY FOR ELECTRICAL AND MATERIAL SPECIFICATIONS.

NOTES:

THIS DRAWING IS A CONTROLLED DOCUMENT.		DWN 30OCT2014 VIJETH BHARADWAJ			
DIMENSIONS: INCHES [mm]		CHK 31OCT2014 I. GRANTCHAROVA			
TOLERANCES UNLESS OTHERWISE SPECIFIED:		APVD 31OCT2014 D. MEYER		NAME RECEPTACLE CONNECTOR SHELL SIZE 24 BAYONET COUPLING HD30 SERIES	
0 PLC ±-		PRODUCT SPEC 108-151014		SIZE A3	
1 PLC ±-		APPLICATION SPEC 114-151014		CAGE CODE -	
2 PLC ±-		WEIGHT 40g		DRAWING NO. © HD34-24-XXP/SX	
3 PLC ±.010 [±.254]		Customer Drawing		RESTRICTED TO -	
4 PLC ±-		SCALE NONE		SHEET 1 OF 1	
ANGLES ±° 30' 0"		REV B2			
FINISH -					