

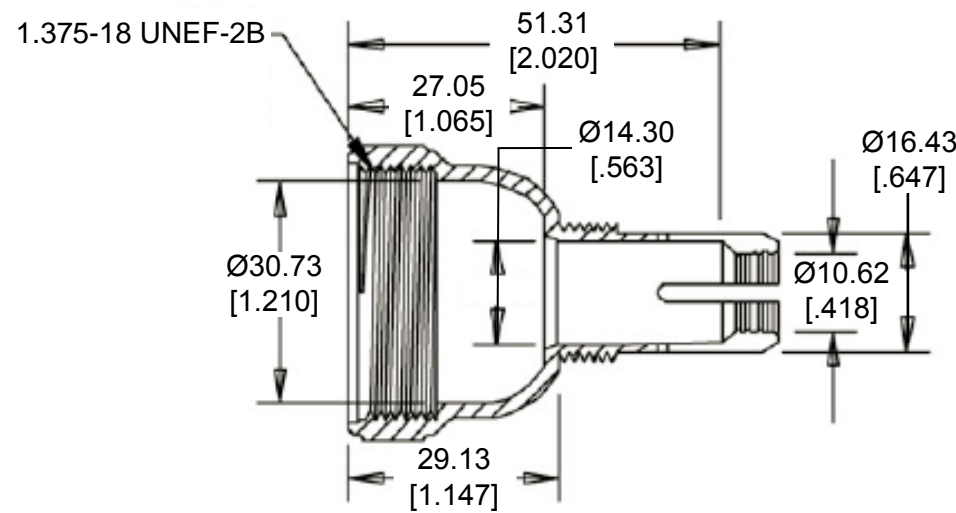
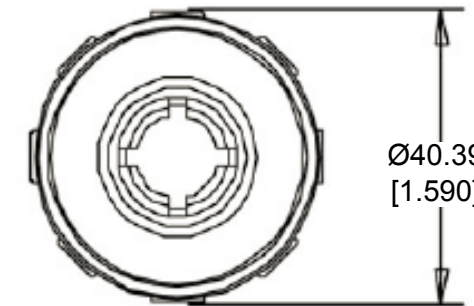
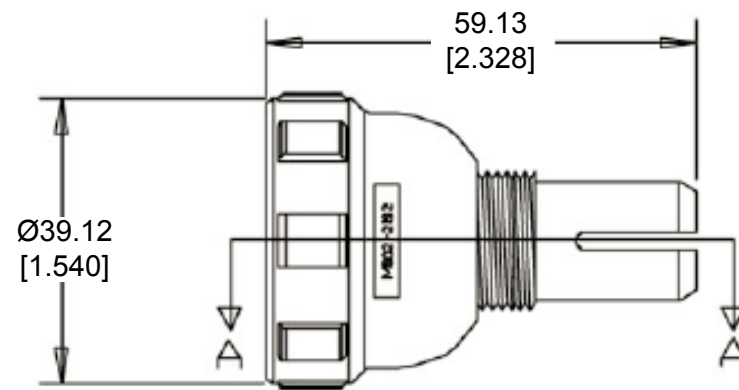
REVISIONS

P	LTR	DESCRIPTION	DATE	DWN	APVD
A		NEW RELEASE PER ECO-14-013595	09-05-14	DM	DM



Backshell

Compression Nut



SECTION A-A

- 6. PART NO. M902-2192
- 5. CABLE STRIPPED LENGTH: 63.50 [2.500] MAX.
- 4. CABLE SIZE: Ø.300- Ø.430
- 3. TEMPERATURE RATING: -40°C TO +134°C [-40°F TO +273°F]
- 2. THIS PART IS USED WITH:
COMPRESSION NUT, M902-2042
- 1. THIS PART IS USED ON
HD1X-9-96X PLUG / RECEPTACLES
HD1X-9-1939X PLUG / RECEPTACLES
SEE INDIVIDUAL CUSTOMER DRAWINGS

THIS DRAWING IS A CONTROLLED DOCUMENT.		DWN D. MEYER 05SEP2014			
DIMENSIONS: MM [INCH]		TOLERANCES UNLESS OTHERWISE SPECIFIED:			
		0 PLC ±		APVD D. MEYER 05SEP2014	
		1 PLC ±		PRODUCT SPEC	
MATERIAL PC/PBT		2 PLC ± .63 [.025]		APPLICATION SPEC	
		3 PLC ±		WEIGHT 13.98 g	
FINISH BLACK		4 PLC ±		SIZE A3	
		ANGLES ± 5°		CAGE CODE 4AFU8	
		Customer Drawing		DRAWING NO. M902-2192	
				RESTRICTED TO -	
				SCALE NONE SHEET 1 OF 1 REV A	