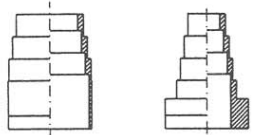
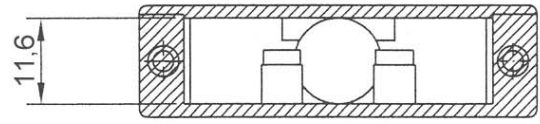


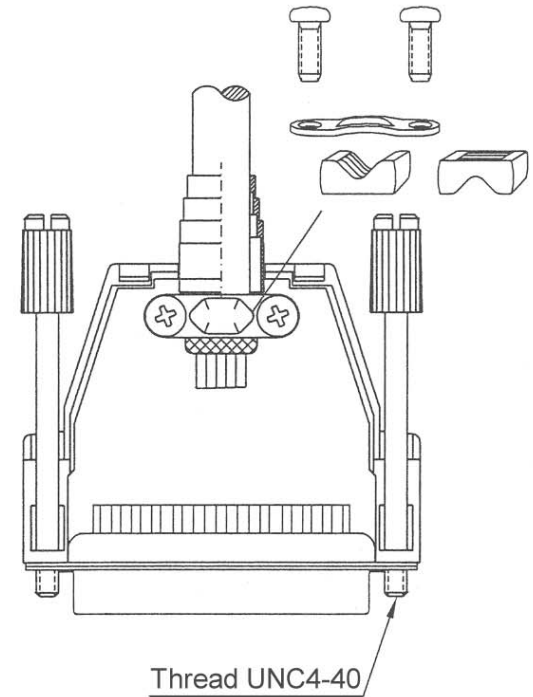
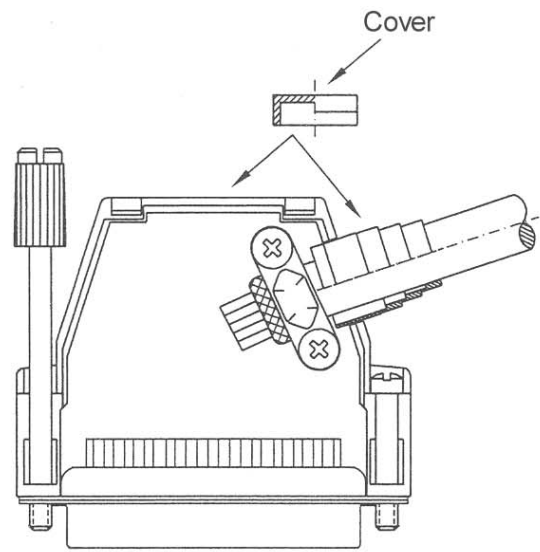
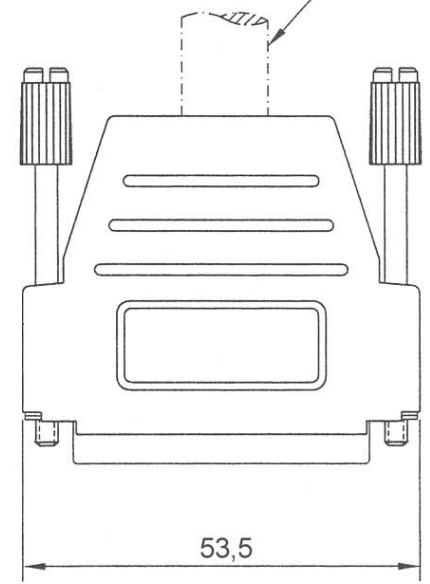
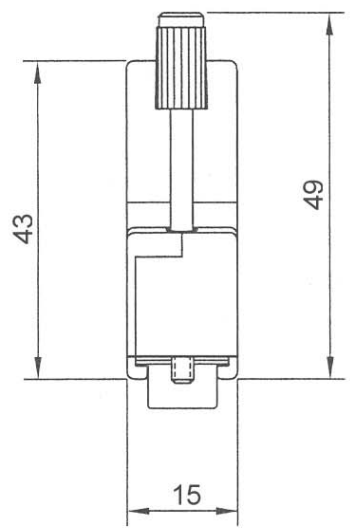
No.	Changes and/or Note No.	Date	Intr.	No.	Changes and/or Note No.	Date	Intr.



Bypacked 2 grommets,
only with metalized version.
(Optional for plastic version)



max O.D. 11,5mm

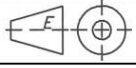


UNSHIELDED PART:

Single Pack:	L17DSSK25TP-U
Bulk Pack:	L17DSSK25TP

SHIELDED PART:

Single Pack:	L17DSSK25TMU
Bulk Pack:	L17DSSK25TM

DATE 960507	DRAWN GMN	SCALE 1:1	MATERIAL TYPE
	APPROVED		REPLACES
<p>PLASTIC HOOD Unshielded or Shielded Version</p>			 DRAWING No 6688-9479-L