

Specification

Lithium Polymer Battery Pack (LP584070) 1500mAh 3.7V with Protection Circuit Module (PCM)
 This data sheet describes the requirements and properties of lithium polymer rechargeable battery pack manufactured by Cellevia

Mechanical Characteristics

Type number: LP584070
 Designation IEC system: Lithium polymer battery pack
 Length: $70 \pm 0.4\text{mm}$
 Width: $40 \pm 0.4\text{mm}$
 Thickness: $5.8 \pm 0.2\text{mm}$
 Cable: $150 \pm 3.0\text{mm}$ (26AWG UL 1007)
 Weight: appr. 30.0g
 Connector: JST 2.54 male & female connectors

Electrical Specification

Rated capacity: 1480mAh min, 1500mAh typ.
 Nominal voltage: 3.7V
 Max. operating voltage range: 3.0V to 4.2V
 Charge voltage: $4.2 \pm 50\text{mV}$
 Initial charge current: Standard charge: 750mA
 Rapid charge: 1500mA
 Charging cut-off (A or B)
 A) By time: Standard charge: 7 hours
 Rapid charge: 4 hours
 B) By min. current: 30.0mA
 Max continuous discharge current: 1500mA
 Exp. cycle life: >500 cycles >70% of initial cap. (0.5C/0.5C)
 Internal impedance (1kHz): approx 43mOhm
 Cell protection
 Overcharge detection: $4.325 \pm 25\text{mV}$
 (0.5 to 2.0 sec. delay, resume $4.075 \pm 50\text{mV}$)
 Overdischarge detection: $3.00\text{V} \pm 25\text{mV}$
 (6.25 to 250msec. delay, resume $2.9\text{V} \pm 100\text{mV}$)

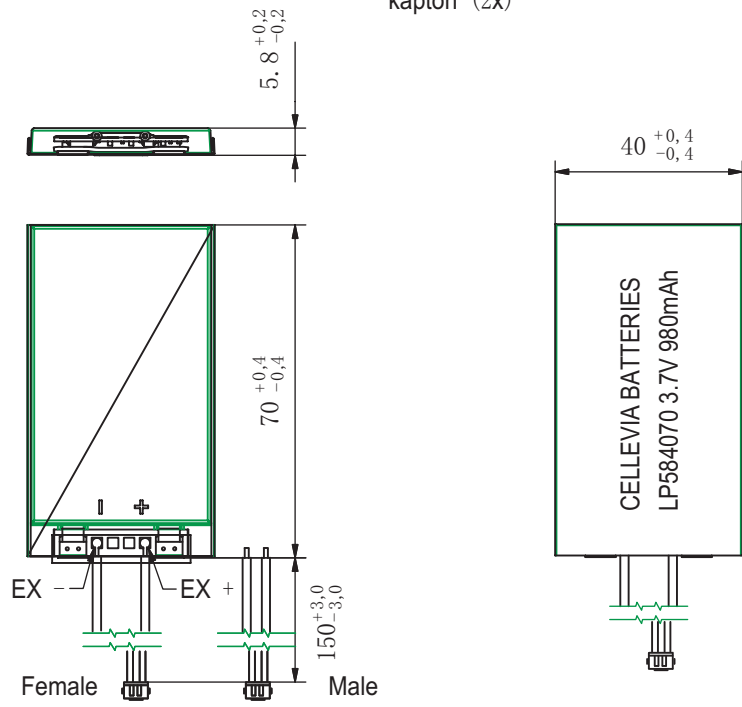
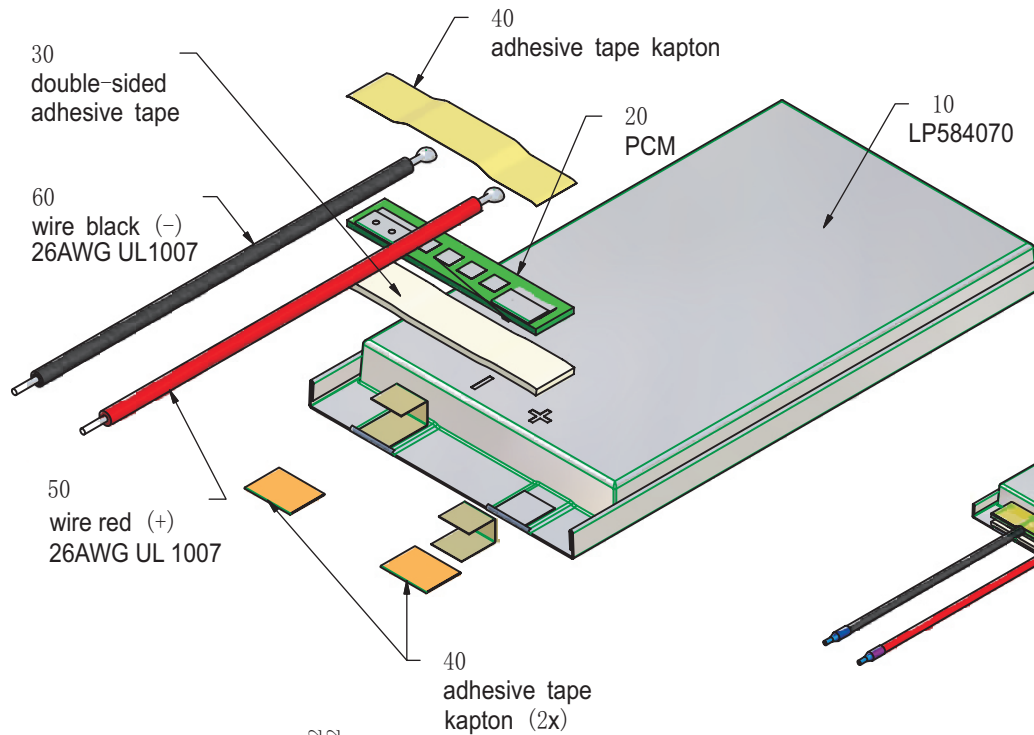
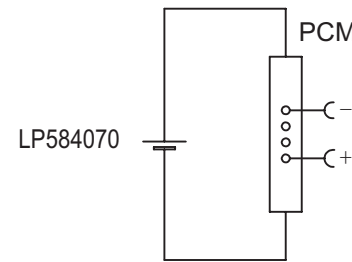
Ambient conditions

Temperature range
 Charge: 0 to +45°C
 Discharge: -20 to +60°C
 Charge retention/Storage: 1 year at -20 to 20°C >70%
 3 month at -20 to 45°C >70%
 1 month at -20 to 60°C >70%

Safety

Please follow handling and Safety Precautions Poliflex.

Circuit diagram



Index	Alteration		Date	Name
Projection:				
Diese Mae werden besonders gepruft This dimensions are considered inspectable		Material: 6645175 6819		
Mae in mm All dimensions in mm	Freimatoleranzen General tolerances	Date	Name	
Als Betriebsgeheimnis anvertraut, alle Rechte vorbehalten.	up to 6 : 0,1 over 6 up to 30 : 0,2	Erst./Orig. 12.08.2013	Xie Qingfang	
Proprietary data, company confidential, all rights reserved.	over 30 up to 100 : 0,3 over 100 : 0,5	Gepr./Check. 12.08.2013	Guo Daxia	
		Benennung/Designation		index
		LP584070		3
		Zchnng. / Dwg. Nr.		FD_2566_13
		Origin:		

