

# Specification

**Lithium Polymer Battery Pack (LP573450) 980mAh 3.7V with Protection Circuit Module (PCM)**  
 This data sheet describes the requirements and properties of lithium polymer rechargeable battery pack manufactured by Cellevia

## Mechanical Characteristics

Type number: LP573450  
 Designation IEC system: Lithium polymer battery pack  
 Length:  $50 \pm 0.4$ mm  
 Width:  $34 \pm 0.4$ mm  
 Thickness:  $5.7 \pm 0.2$ mm  
 Cable:  $150 \pm 3.0$ mm (26AWG UL 1007)  
 Weight: appr. 19.5g  
 Connector: JST 2.54 male & female connectors

## Electrical Specification

Rated capacity: 980mAh min, 1020mAh typ.  
 Nominal voltage: 3.7V  
 Max. operating voltage range: 3.0V to 4.2V  
 Charge voltage:  $4.2 \pm 50$ mV  
 Initial charge current: Standard charge: 490mA  
 Rapid charge: 980mA  
 Charging cut-off (A or B)  
 A) By time: Standard charge: 7 hours  
 Rapid charge: 4 hours  
 B) By min. current: 19.6mA  
 Max continuous discharge current: 980mA  
 Exp. cycle life: >500 cycles >70% of initial cap. (0.5C/0.5C)  
 Internal impedance (1kHz): approx 25mOhm  
 Cell protection  
 Overcharge detection:  $4.325 \pm 25$ mV  
 (0.5 to 2.0 sec. delay, resume  $4.075 \pm 50$ mV)  
 Overdischarge detection:  $3.00V \pm 25$ mV  
 (6.25 to 250msec. delay, resume  $2.9V \pm 100$ mV)

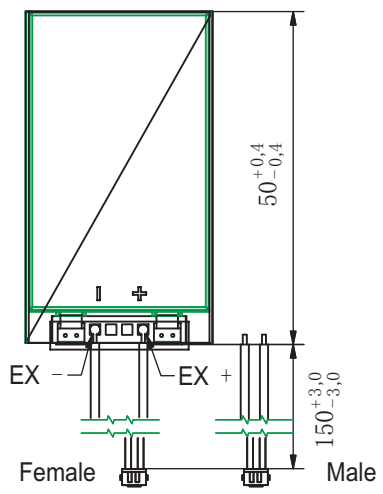
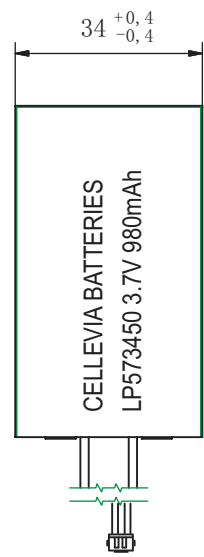
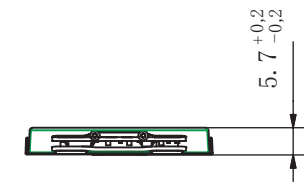
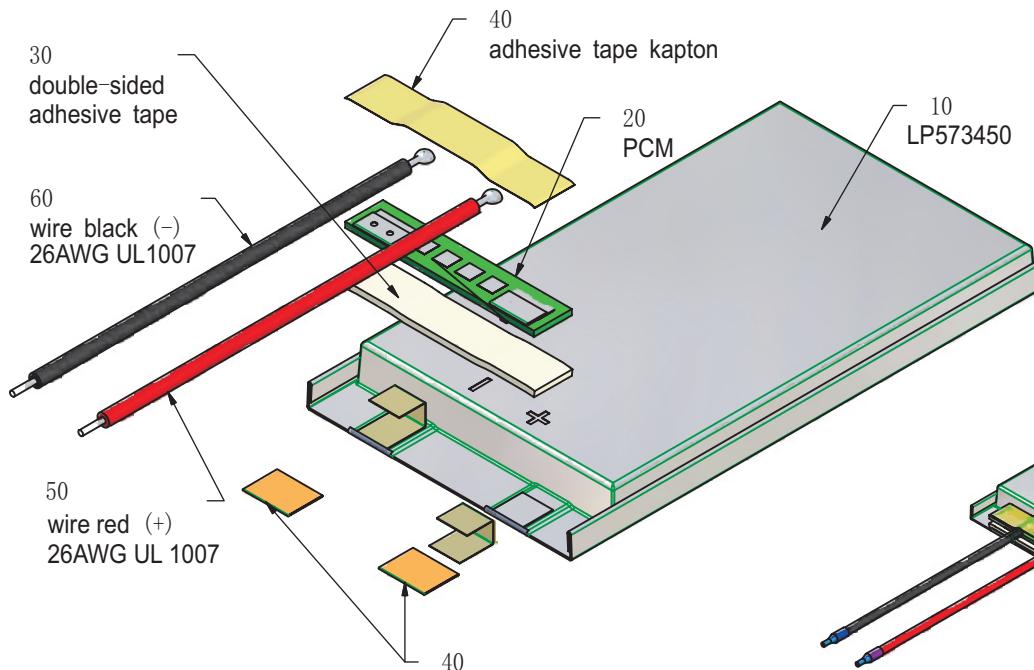
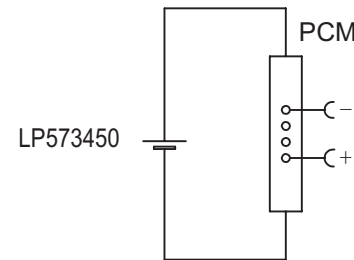
## Ambient conditions

Temperature range  
 Charge: 0 to +45°C  
 Discharge: -20 to +60°C  
 Charge retention/Storage: 1 year at -20 to 20°C >70%  
 3 month at -20 to 45°C >70%  
 1 month at -20 to 60°C >70%

## Safety

Please follow handing and Safety Precautions Poliflex.

## Circuit diagram



Index	Alteration		Date	Name
Projection:	<input type="checkbox"/>	Diese Mae werden besonders geprüf This dimensions are considered inspectable		
Mae in mm All dimensions in mm	Freimatoleranzen Generaltoleranzen	Date	Name	
Als Betriebsgeheimnis anvertraut, alle Rechte vorbehalten.	up to 6 : 0,1 over 6 up to 30 : 0,2 over 30 up to 100 : 0,3 over 100 : 0,5	Erst./Orig. Bearb./Desig. Gepr./Check.	12.08.2013 Xie Qingfang 12.08.2013 Guo Daxia	
Proprietary data, company confidential, all rights reserved.	Benennung/Designation	LP573450	Zchng. / Dwg. Nr.	Index
		3	FD_2566_19	
	Origin:			

